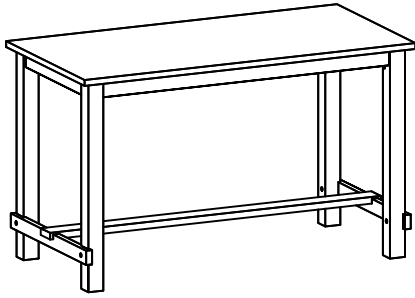


Progressive® ASSEMBLY INSTRUCTION



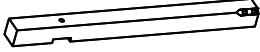
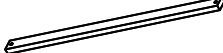

furniture Item No: D866-12D / D866-12W

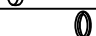





Description: COUNTER TABLE



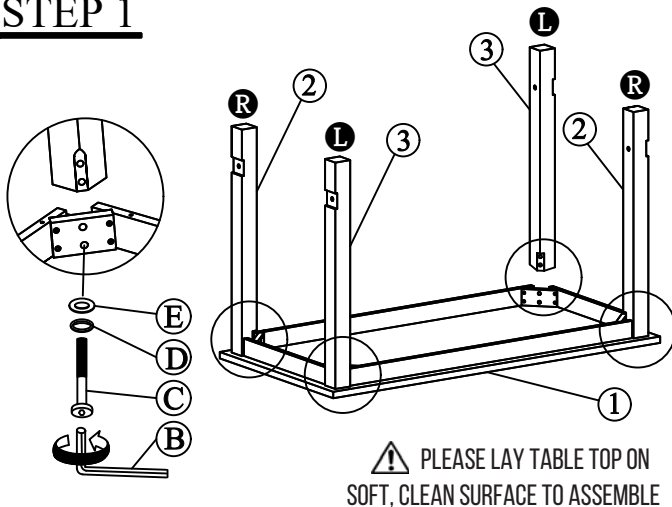
IMPORTANT NOTE :

- Place all wooden parts on a clean and smooth surface such as a rug or carpet to avoid the parts from being scratched.
- Check to be sure that you have all parts and hardware.
- Remove all wrapping materials, including staples & packing straps before you start to assemble.
- Do not tighten all screws/bolts until all completely assembled.
- Keep all hardware parts out of reach of children.

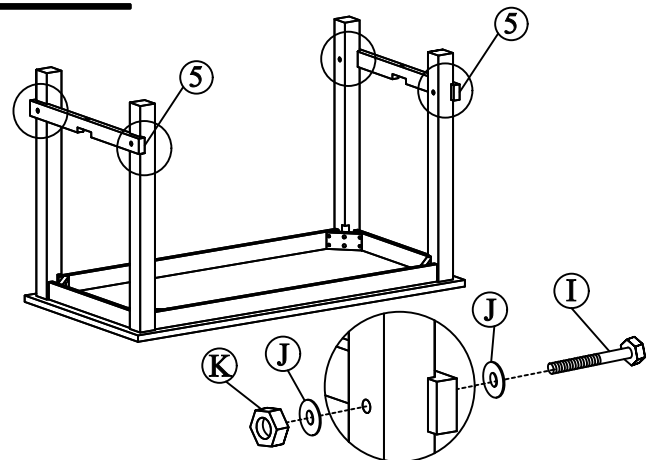
PARTS LIST		
NO.	COMPONENT	QTY.
1	TABLE TOP 	1 PCS
2	TABLE LEG R 	2 PCS
3	TABLE LEG L 	2 PCS
4	STRETCHER 	1 PCS
5	SIDE RAIL 	2 PCS

HARDWARE LIST		
NO.	DESCRIPTION	QTY.
A	M4 x 110MM ALLEN KEY 	1 PCS
B	M5 x 85MM ALLEN KEY 	1 PCS
C	M8 x 60MM JCBC BOLT 	8 PCS
D	M8 x 14MM SPRING WASHER 	8 PCS
E	M8 x 22MM FLAT WASHER 	8 PCS
F	M6 x 50MM JCBC BOLT 	2 PCS
G	M6 x 13MM SPRING WASHER 	2 PCS
H	M6 x 14MM FLAT WASHER 	2 PCS
I	M12.5 x 103MM BOLT 	4 PCS
J	M14 x 26MM FLAT WASHER 	8 PCS
K	M12.5 x 19MM HEX NUT 	4 PCS

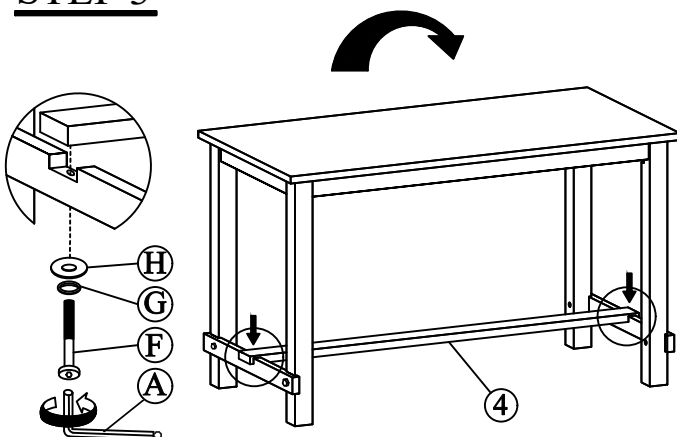
STEP 1



STEP 2



STEP 3



STEP 4

