
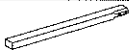



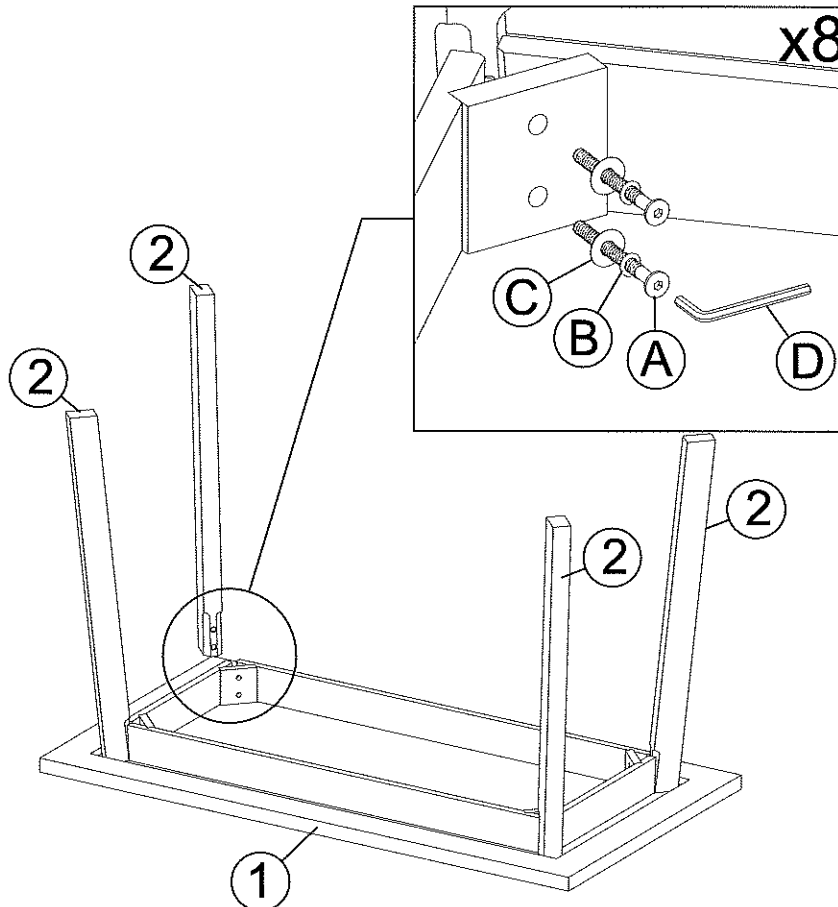
IMPORTANT NOTE:

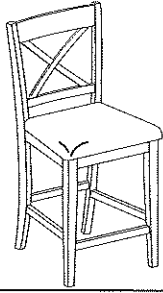
- Place all wooden parts on a clean and smooth surface such as a rug or carpet to avoid the parts from being scratched.
- Check to be sure that you have all parts and hardware.
- Remove all wrapping materials, including staples & packing straps before you starts to assemble.
- Do not tighten all screws / bolts until all completely assembled.
- Keep all hardware are parts out of reach of children.

Parts List			
No.	Description		QTY / PCS
1		Table Top	1
2		Table Leg	4

Hardware List			
No.	Description		QTY / PCS
A		JCBB M8 x 80mm	8
B		Spring Washer M8 x 13mm Ø	8
C		Flat Washer M8 x 22mm Ø	8
D		Allen Key M5 x 65mm	1

STEP 1





IMPORTANT NOTE:

- Place all wooden parts on a clean and smooth surface such as a rug or carpet to avoid the parts from being scratched.
- Check to be sure that you have all parts and hardware.
- Remove all wrapping materials, including staples & packing straps before you starts to assemble.
- Do not tighten all screws / bolts until all completely assembled.
- Keep all hardware are parts out of reach of children.

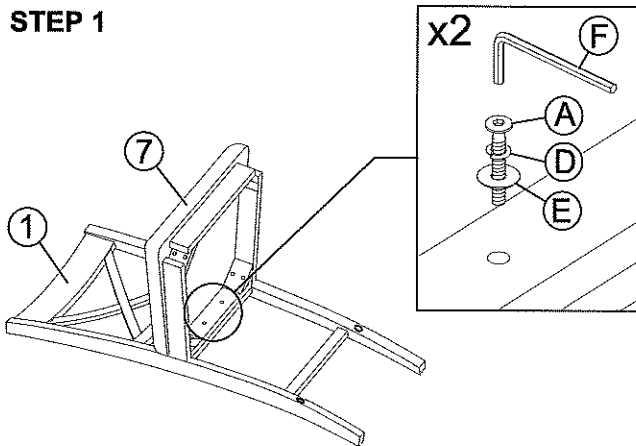
Parts List

No.	Description	QTY / PCS
1	Chair Back	1
2	Front Stretcher	1
3	Left Stretcher	1
4	Right Stretcher	1
5	Left Front Leg	1
6	Right Front Leg	1
7	Cushion Seat	1

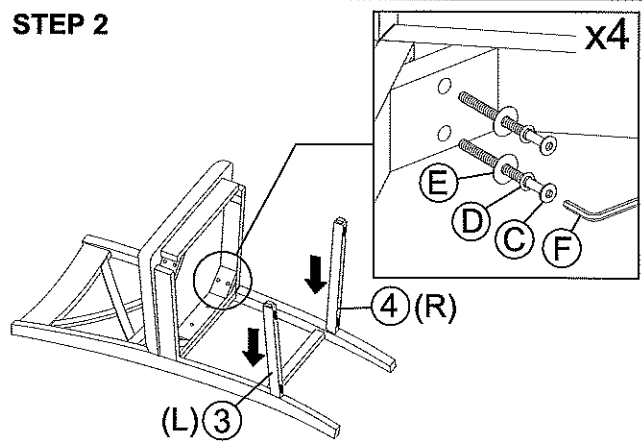
Hardware List

No.	Description	QTY / PCS
A	JCBC M6 x 40mm	2
B	JCBC M6 x 60mm	4
C	JCBC M6 x 80mm	4
D	Spring Washer M6 x 13mm Ø	10
E	Flat Washer M6 x 19mm Ø	10
F	Allen Key M4 x 65mm	1
G	Csk Screw M4 x 32mm	6

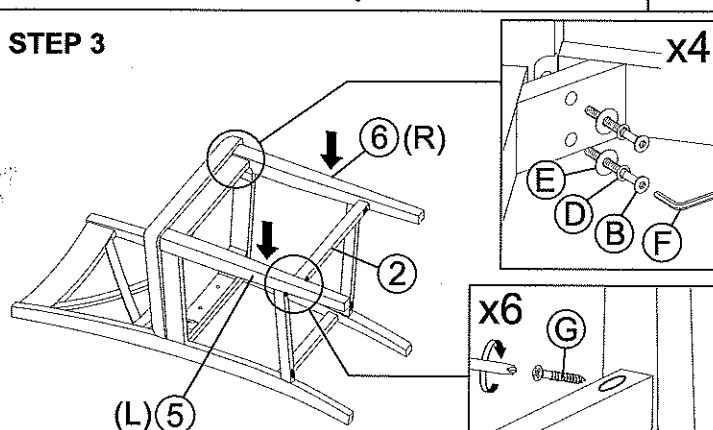
STEP 1



STEP 2



STEP 3



STEP 4

