
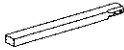




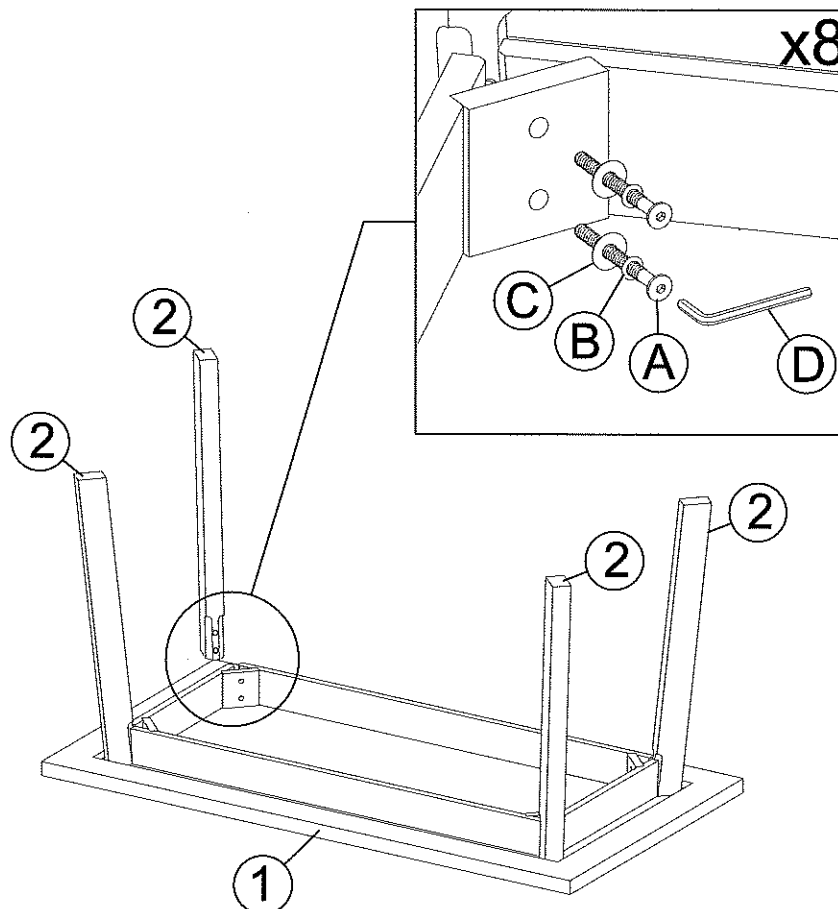
**IMPORTANT NOTE:**

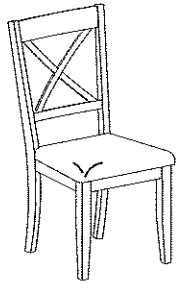
- Place all wooden parts on a clean and smooth surface such as a rug or carpet to avoid the parts from being scratched.
- Check to be sure that you have all parts and hardware.
- Remove all wrapping materials, including staples & packing straps before you starts to assemble.
- Do not tighten all screws / bolts until all completely assembled.
- Keep all hardware are parts out of reach of children.

Parts List			
No.	Description		QTY / PCS
1		Table Top	1
2		Table Leg	4

Hardware List			
No.	Description		QTY / PCS
A		JCBB M8 x 80mm	8
B		Spring Washer M8 x 13mm Ø	8
C		Flat Washer M8 x 22mm Ø	8
D		Allen Key M5 x 65mm	1

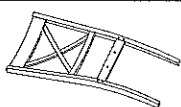


**STEP 1**











**IMPORTANT NOTE:**

- Place all wooden parts on a clean and smooth surface such as a rug or carpet to avoid the parts from being scratched.
- Check to be sure that you have all parts and hardware.
- Remove all wrapping materials, including staples & packing straps before you starts to assemble.
- Do not tighten all screws / bolts until all completely assembled.
- Keep all hardware are parts out of reach of children.

Parts List			
No.	Description	QTY / PCS	
1	 Chair Back	1	
2	 Cushion Seat	1	
3	 Front Leg	2	

Hardware List			
No.	Description	QTY / PCS	
A	 JCBC M6 x 40mm	2	
B	 JCBC M6 x 60mm	4	
C	 JCBC M6 x 80mm	4	
D	 Spring Washer M6 x 13mm Ø	10	
E	 Flat Washer M6 x 19mm Ø	10	
F	 Allen Key M4 x 65mm	1	

