


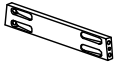
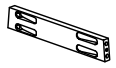


IMPORTANT NOTE :

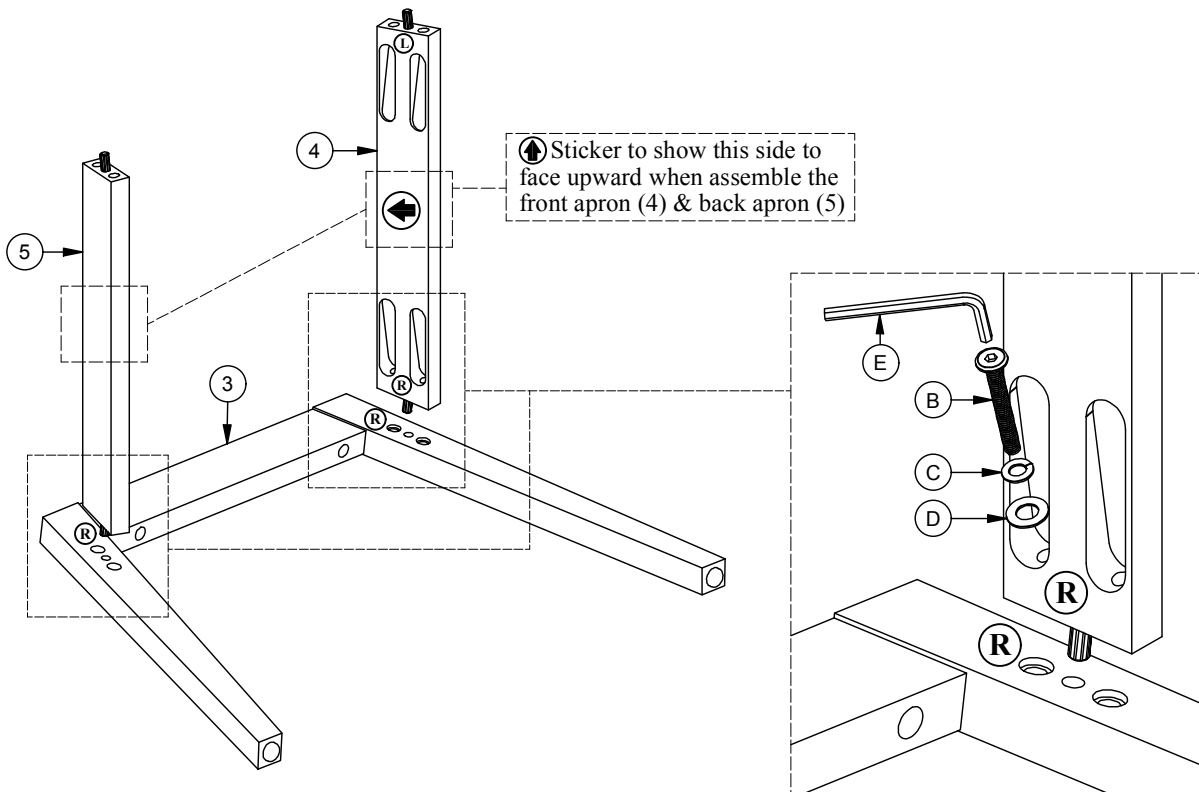
- Place all wooden parts on a clean and smooth surface such as a rug or carpet to avoid the parts from being scratched.
- Check to be sure that you have all parts and hardware.
- Remove all wrapping materials, including staples & packing straps before you start to assemble.
- Do not tighten all screws / bolts until all completely assembled.
- Keep all hardware parts out of reach of children.

PART LIST			
NO	DESCRIPTION		QTY/PCS
1		CUSHION SEAT	1 PC
2		LEFT LEG	1 PC
3		RIGHT LEG	1 PC
4		FRONT APRON	1 PC
5		BACK APRON	1 PC

HARDWARE LIST			
NO	DESCRIPTION		QTY/PCS
A		BOLT M6 x 60mm	4 PCS
B		BOLT M6 x 45mm	8 PCS
C		SPRING WASHER M6	12 PCS
D		FLAT WASHER M8 x 16mm	8 PCS
E		ALLEN KEY M4	1 PC

STEP 1

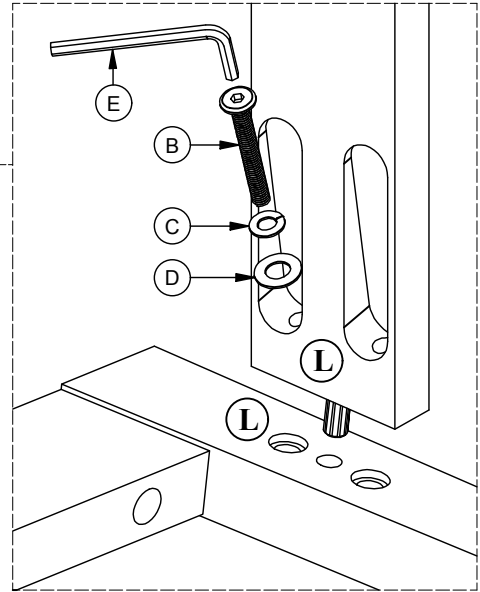
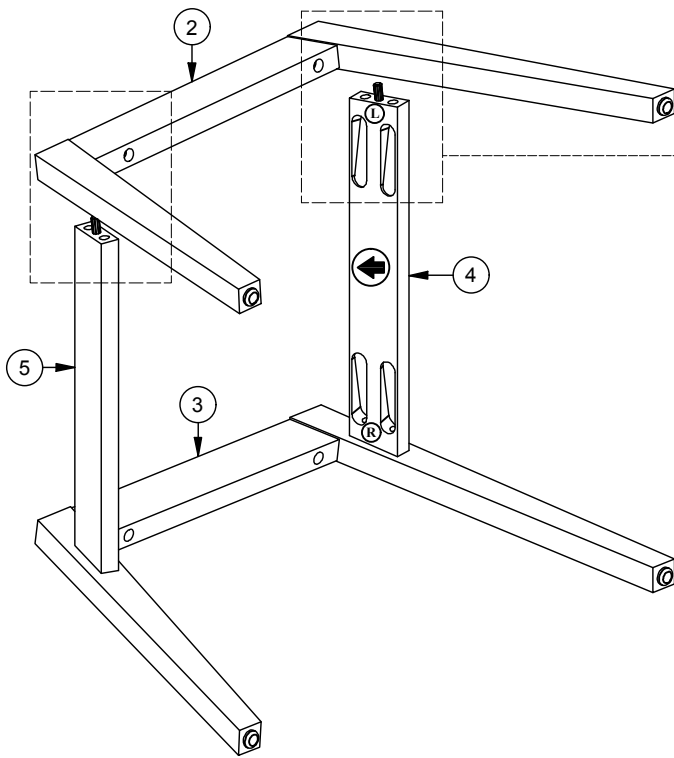
Each leg & stretcher are labeled with a letter (L or R). Align each stretcher with the corresponding letter.



Progressive[®] furniture ASSEMBLY INSTRUCTION

Model No : D862-61 DINING CHAIR

STEP 2



STEP 3

