
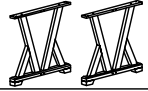






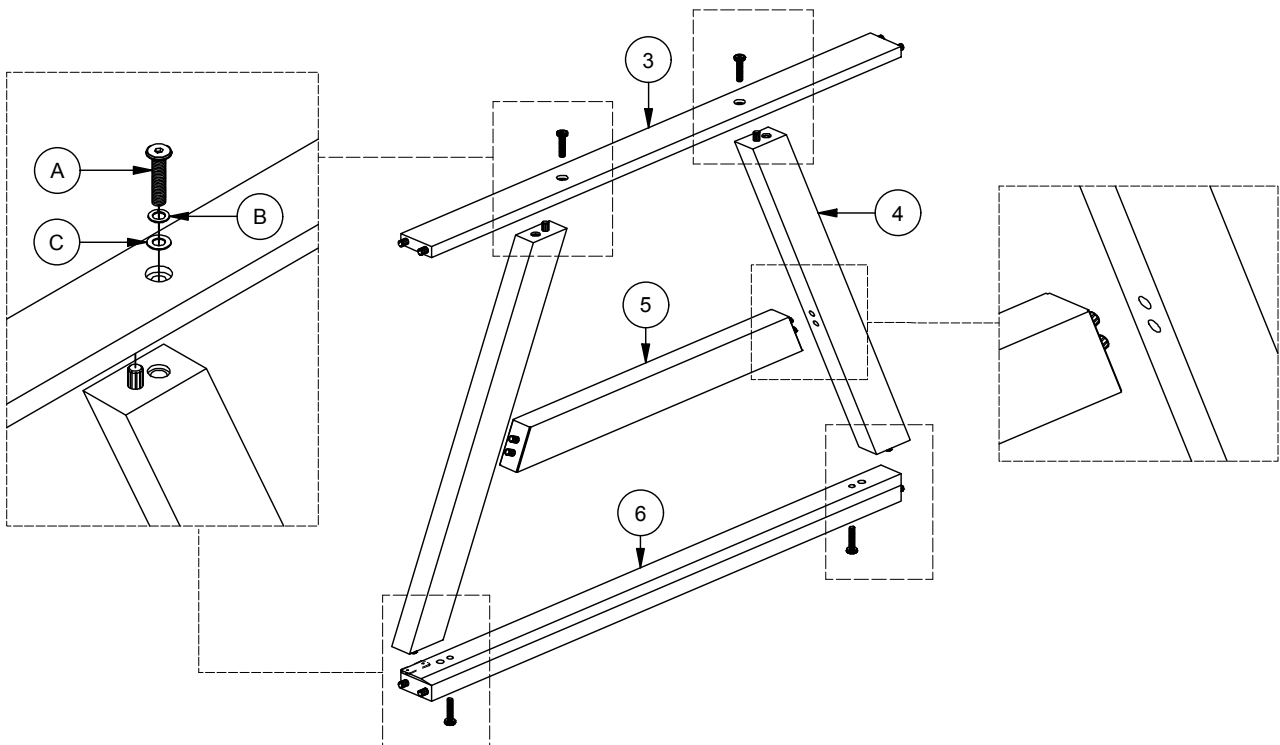
IMPORTANT NOTE :

- Place all wooden parts on a clean and smooth surface such as a rug or carpet to avoid the parts from being scratched.
- Check to be sure that you have all parts and hardware.
- Remove all wrapping materials, including staples & packing straps before you start to assemble.
- Do not tighten all screws / bolts until all completely assembled.
- Keep all hardware parts out of reach of children.

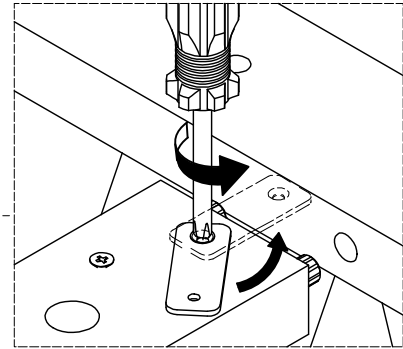
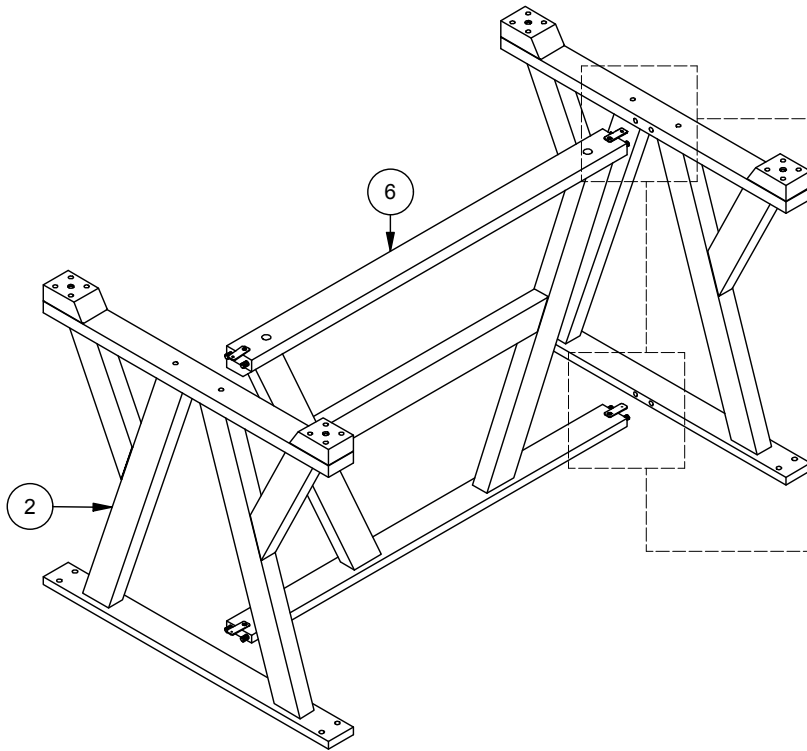
PART LIST			
NO	DESCRIPTION		QTY/PCS
1		TABLE TOP	1 PC
2		LEG FRAME	2 PCS
3		TOP RAIL	1 PC
4		ANGLED STRETCHER	2 PCS
5		CENTER STRETCHER	1 PC
6		BOTTOM STRETCHER	1 PC

HARDWARE LIST			
NO	DESCRIPTION		QTY/PCS
A		BOLT M8 x 40mm	12 PCS
B		SPRING WASHER M8	12 PCS
C		FLAT WASHER M8 x 16mm	12 PC
D		ALLEN KEY M5	1 PC

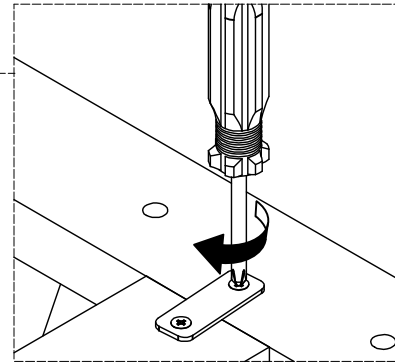
STEP 1



STEP 2



- Unscrew one screw from
pre-installed bracket on
Top rail (3) and Bottom stretcher (6)



STEP 3

