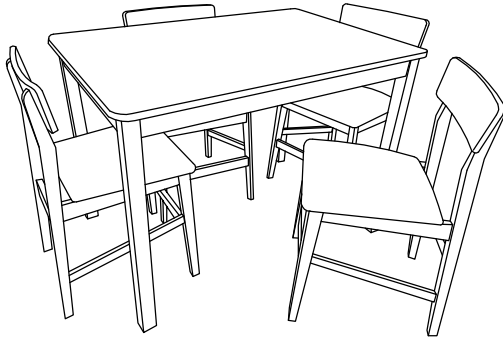


ASSEMBLY INSTRUCTION



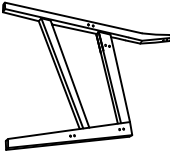
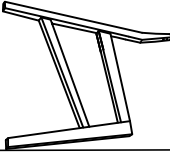






Item No: D859-10G / D859-10N





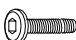




Description: DINING TABLE WITH 4 DINING CHAIR



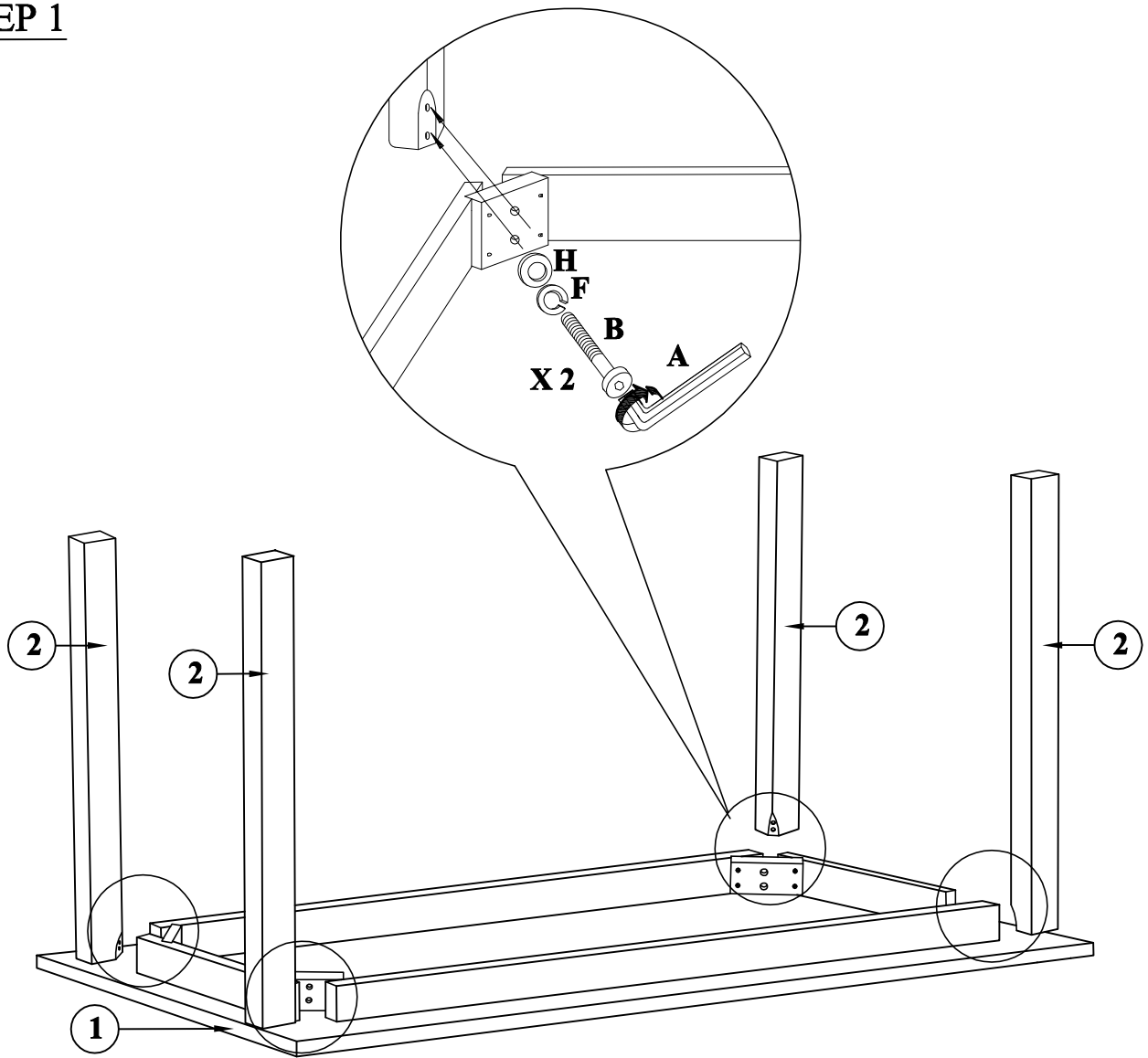
IMPORTANT NOTE :

- Place all wooden parts on a clean and smooth surface such as a rug or carpet to avoid the parts from being scratched.
- Check to be sure that you have all parts and hardware.
- Remove all wrapping materials, including staples & packing straps before you start to assemble.
- Do not tighten all screws/bolts until all completely assembled.
- Keep all hardware parts out of reach of children.

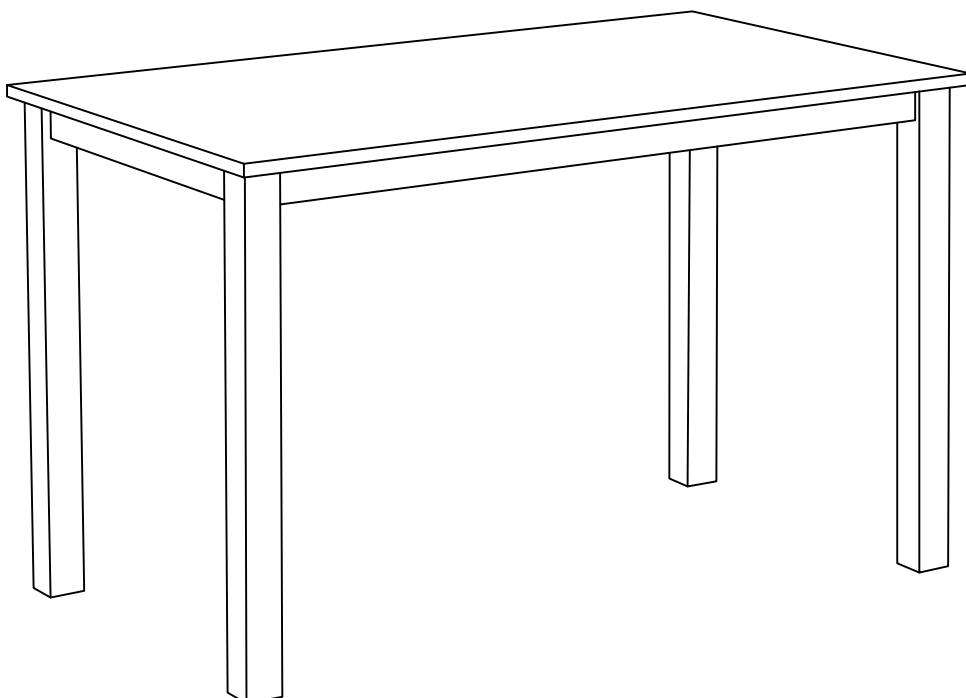
NO.	PARTS LIST	
	DESCRIPTION	QTY.
1	TABLE TOP 	1 PC
2	TABLE LEG 	4 PCS
3	SIDE MEMBER (LEFT) 	4 PCS
4	SIDE MEMBER (RIGHT) 	4 PCS
5	FRONT PANEL 	4 PCS
6	BACK PANEL 	4 PCS
7	LOWER PANEL (BACK) 	4 PCS
8	LOWER PANEL (FRONT) 	4 PCS
9	CHAIR HEAD 	4 PCS
10	CUSHION SEAT 	4 PCS

HARDWARE LIST		
NO.	DESCRIPTION	QTY.
A	ALLEN KEY M4 X 110MM 	1 PC
B	JCBC BOLT M6 X 60MM 	8 PCS
C	JCBC BOLT M6 X 45MM 	24 PCS
D	JCBC BOLT M6 X 35MM 	16 PCS
E	JCBC BOLT M6 X 20MM 	16PCS
F	SPRING WASHER 1/4" 	48PCS
G	FLAT WASHER M6 X 13MM 	56PCS
H	FLAT WASHER 5/16" 	8 PCS
I	WOOD BUTTON Ø 14.5 X 9MM 	16 PCS

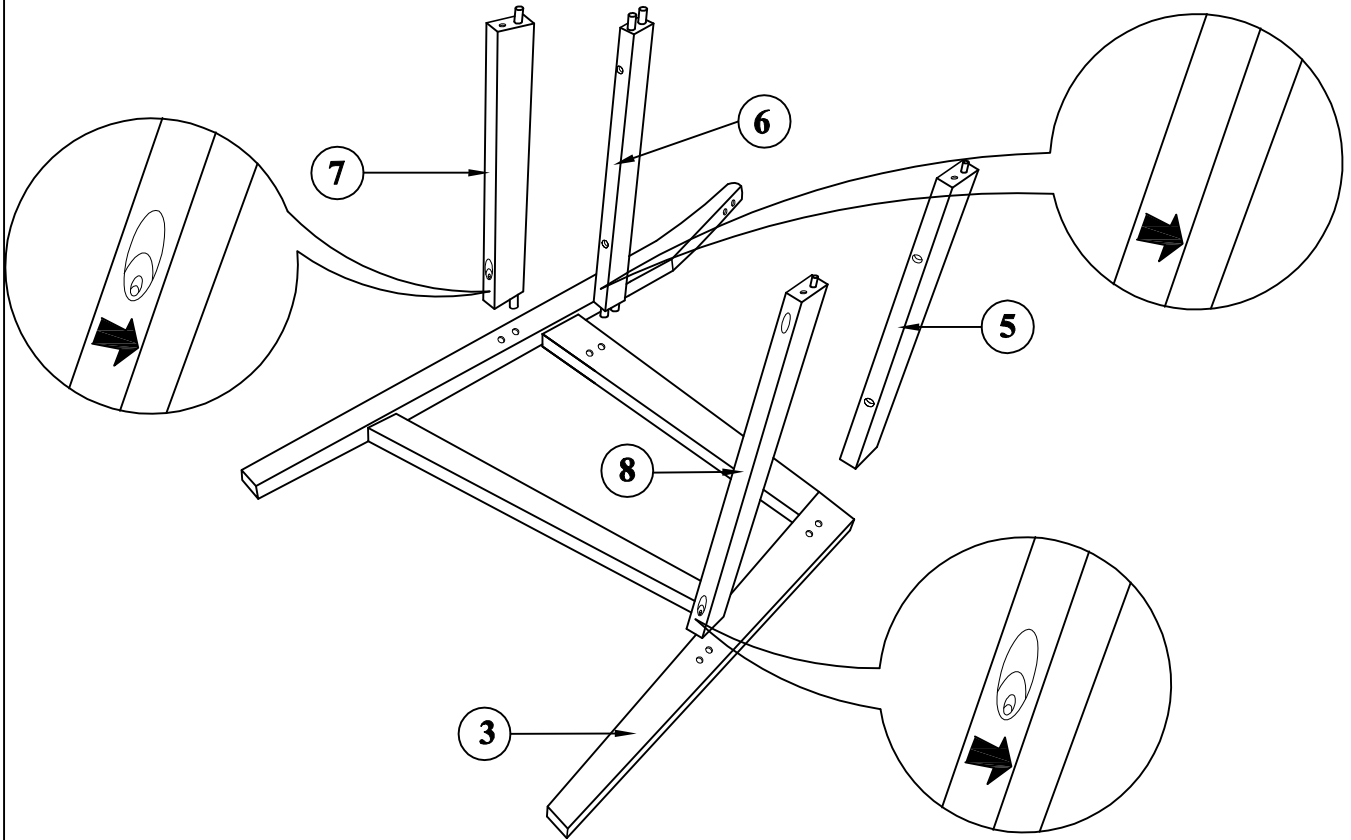
STEP 1



STEP 2

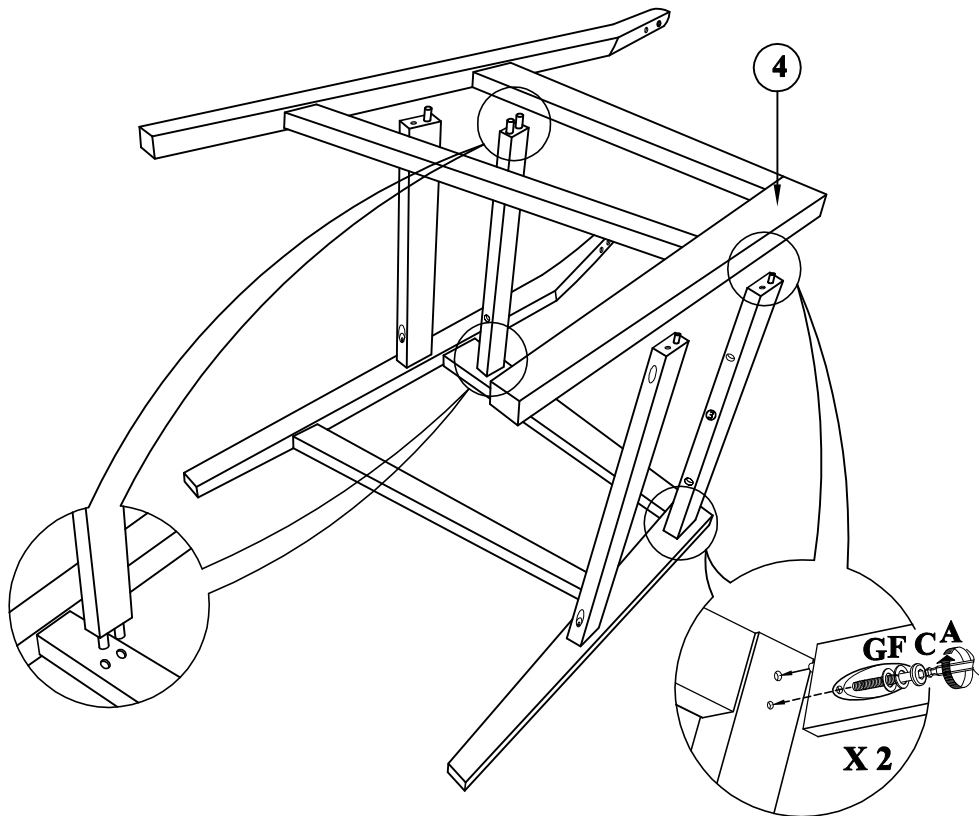


STEP 3

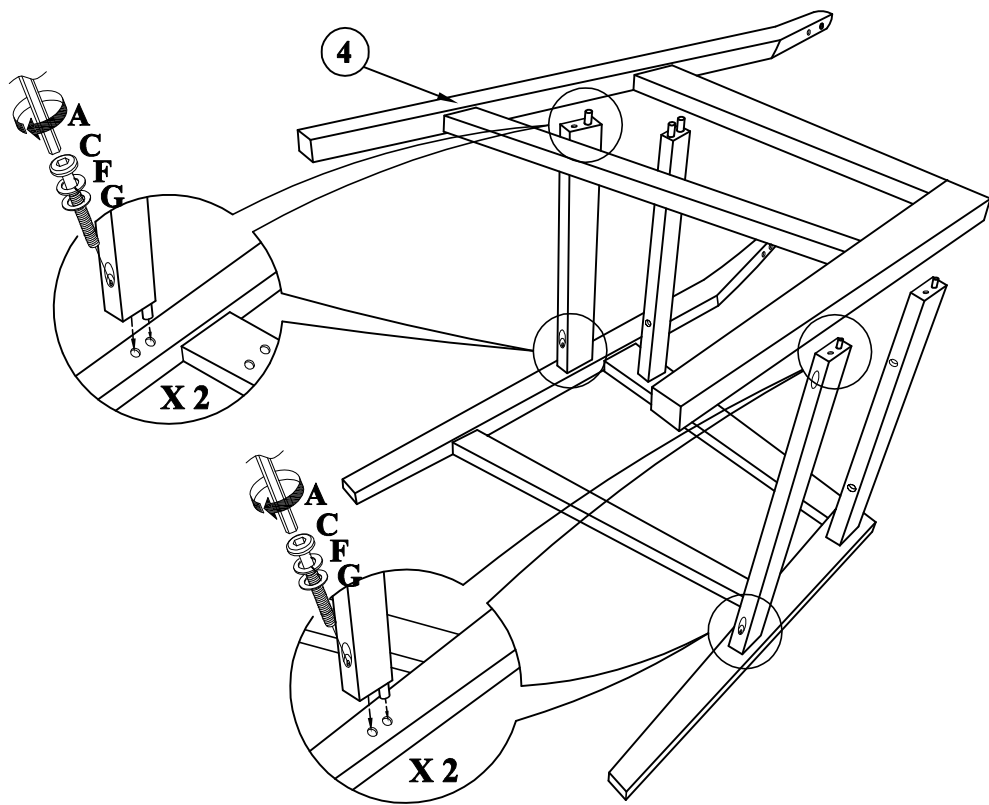


**IMPORTANT NOTICE : PLEASE MAKE SURE ALL ARROWS
DIRECTION ARE CORRECT.**

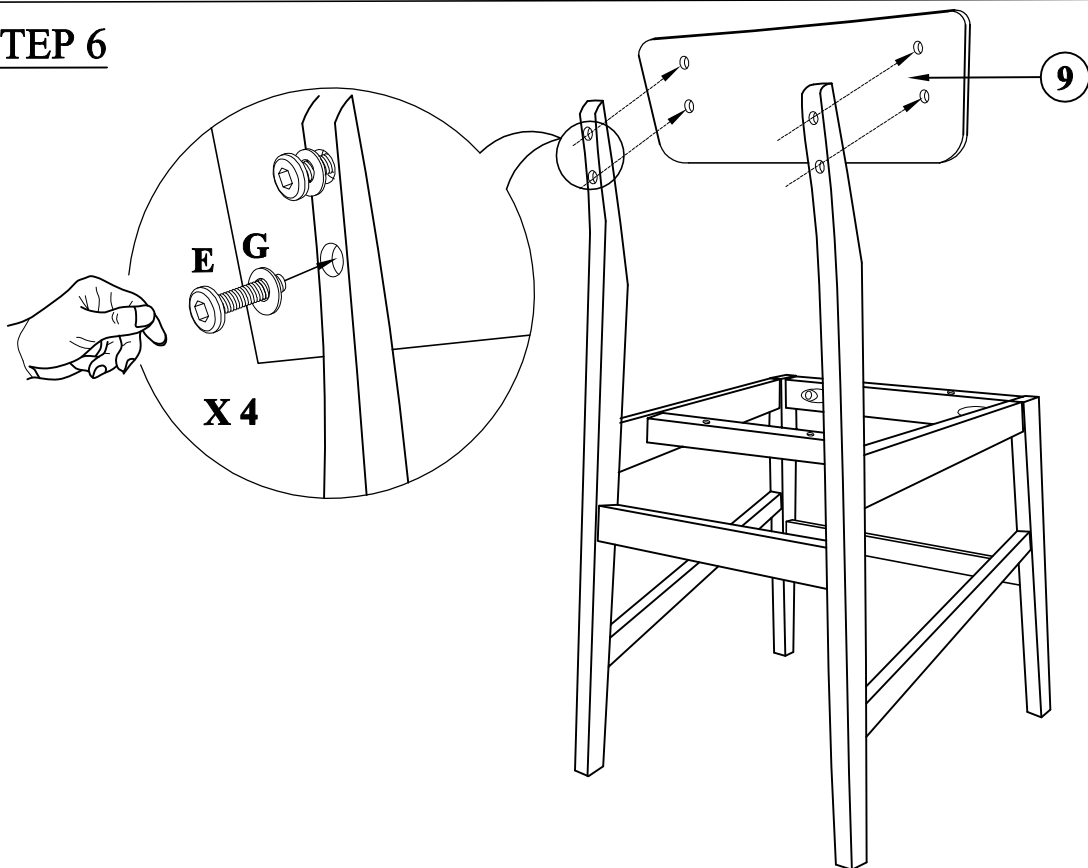
STEP 4



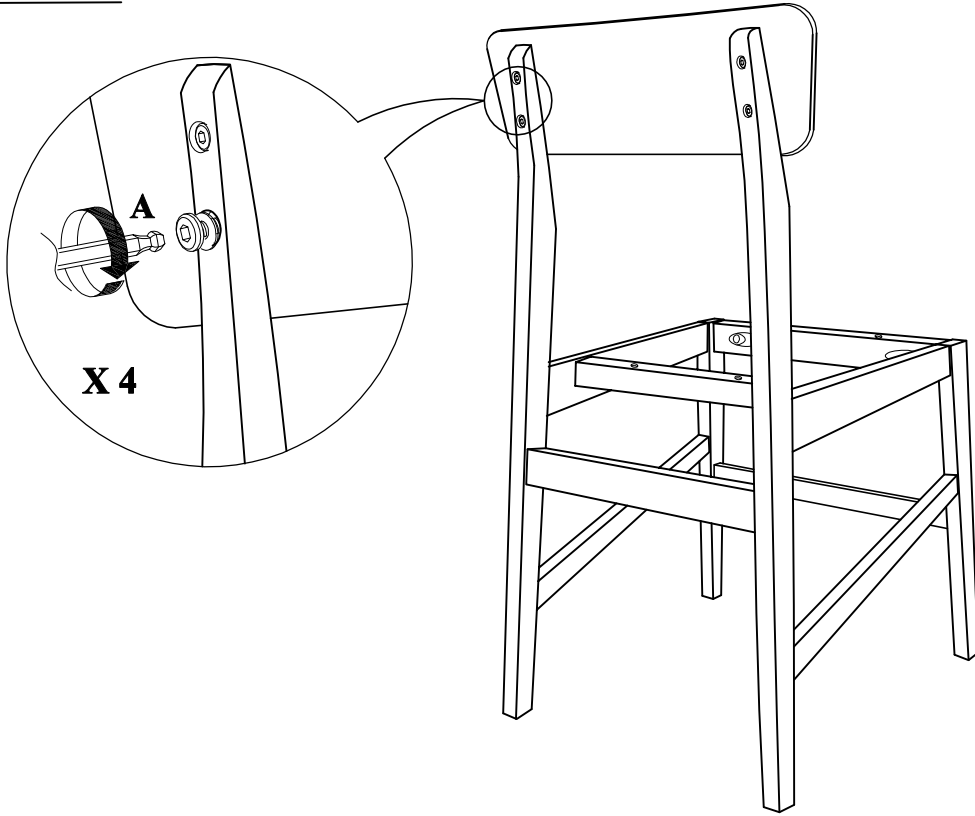
STEP 5



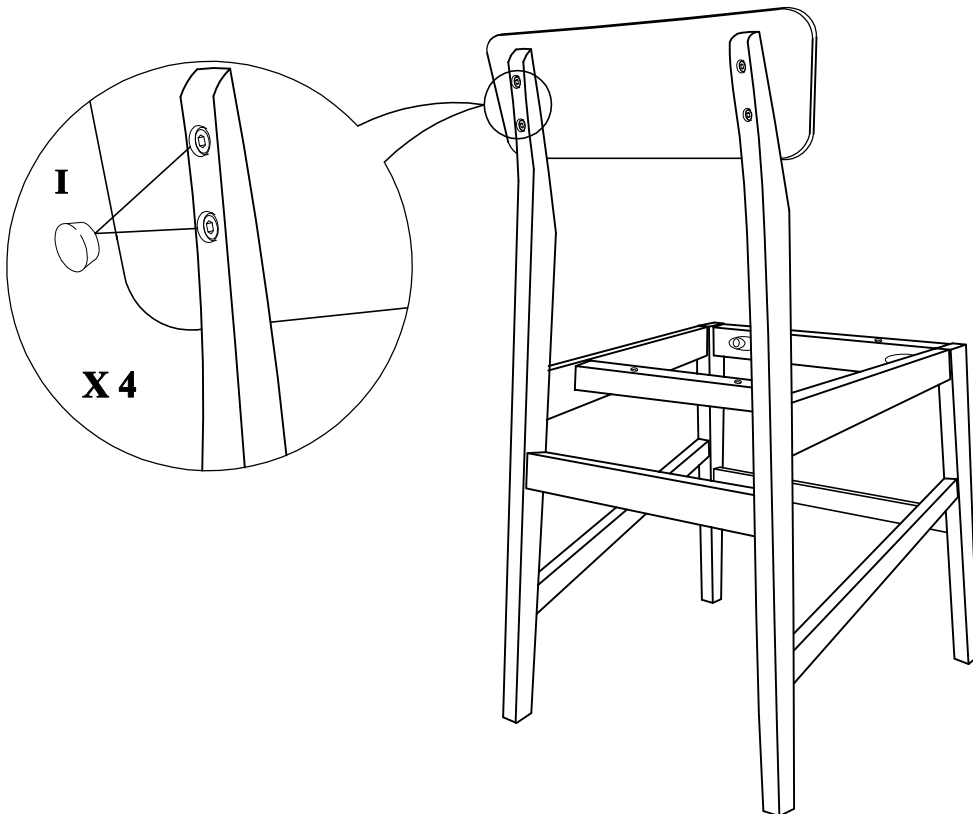
STEP 6



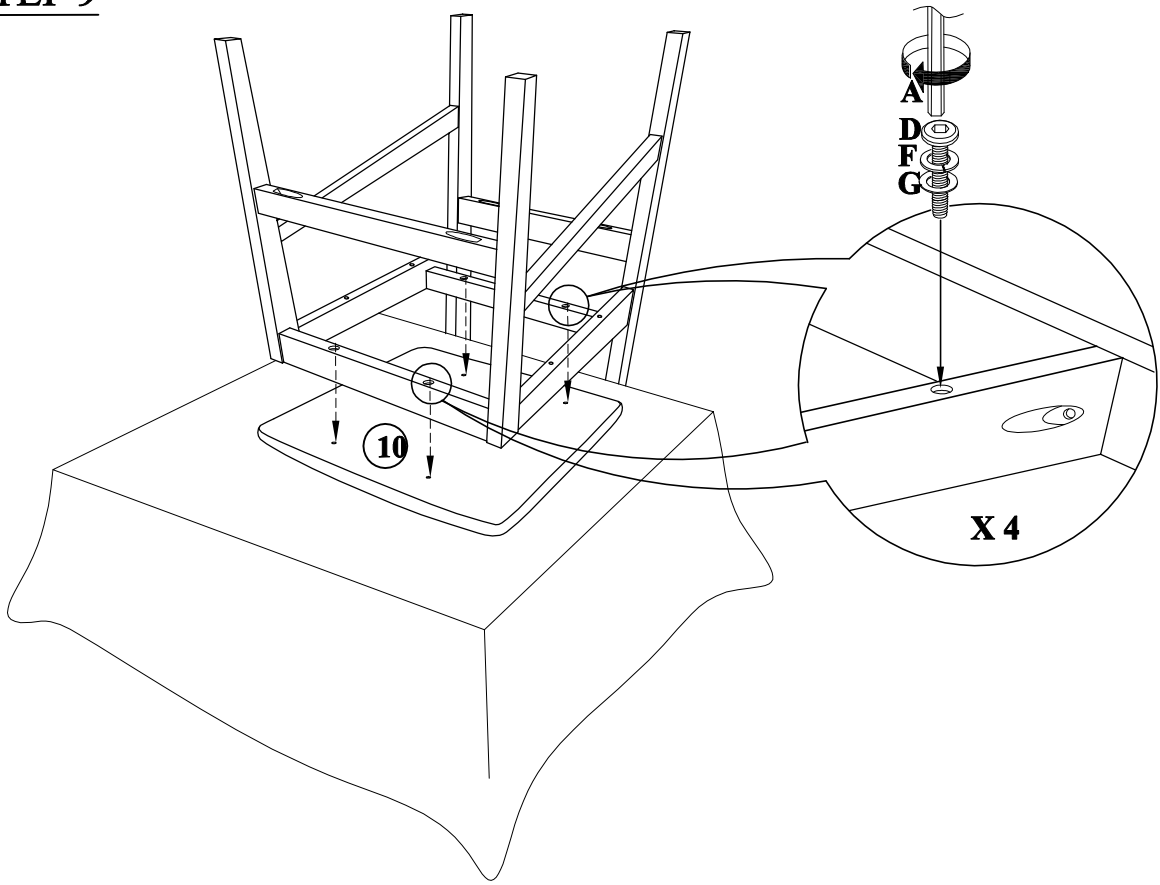
STEP 7



STEP 8



STEP 9



STEP 10

