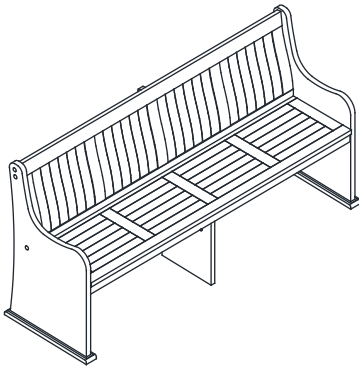


Progressive® furniture ASSEMBLY INSTRUCTION

Item No: D857-78

Description: CHURCH PEW



IMPORTANT NOTE:

- Place all wooden parts on a clean and smooth surface such as a rug or carpet to avoid the parts from being scratched.
- Check to be sure that you have all parts and hardware.
- Remove all wrapping materials, including staples & packing straps before you start to assemble.
- Do not tighten all screws/bolts until all completely assembled.
- Keep all hardware parts out of reach of children.

Each chair

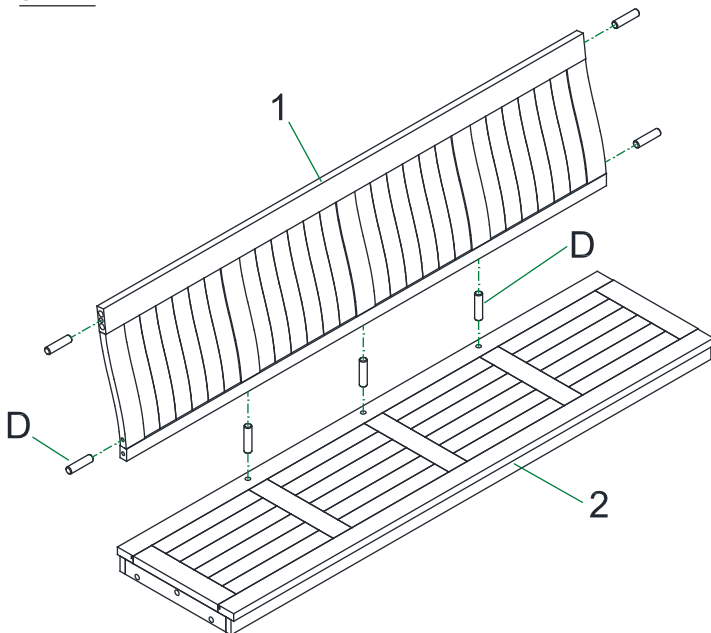
PARTS LIST

NO.	COMPONENT	QTY.
1	CHAIR BACK	1PC
2	CHAIR SEAT	1PC
3	CHAIR LEG	2PCS
4	SUPPORT LEG	1PC
5	BACK SUPPORT LEG	1PC

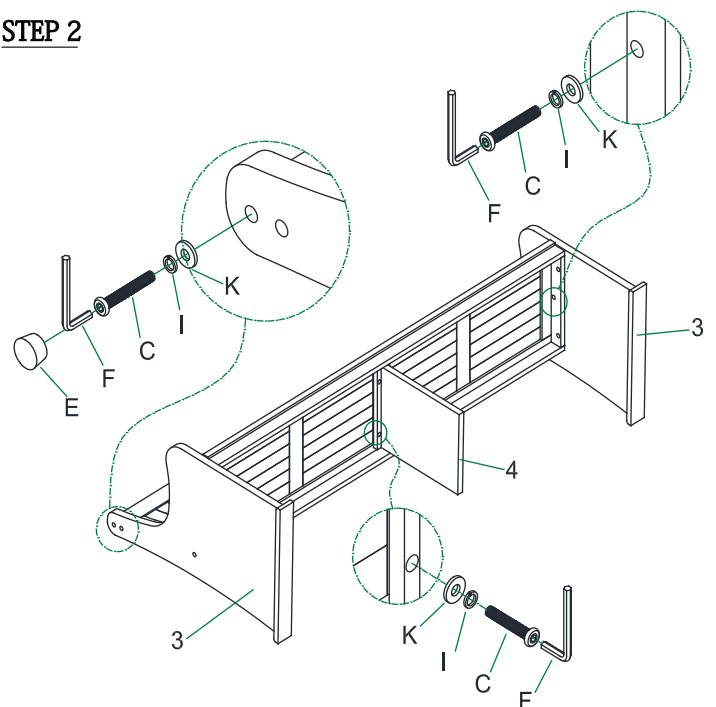
HARDWARE LIST

NO.	DESCRIPTION	QTY
A	Bolt $\Phi 1/4"$ x 60mm	2 PCS
B	Bolt $\Phi 1/4"$ x 35mm	2 PCS
C	Bolt $\Phi 1/4"$ x 40mm	16 PCS
D	$\Phi 10$ x 40mm	10 PCS
E	Stoppers $\Phi 19$ x 10	10 PCS
F	Allen wrench M4 * 58mm	1 PC
G	Lock washer $\Phi 1/4"$	2 PCS
H	Flat washer $\Phi 1/4"$	2 PCS
I	Lock washer $\Phi 5/16"$	16 PCS
K	Flat washer $\Phi 5/16"$	16 PCS

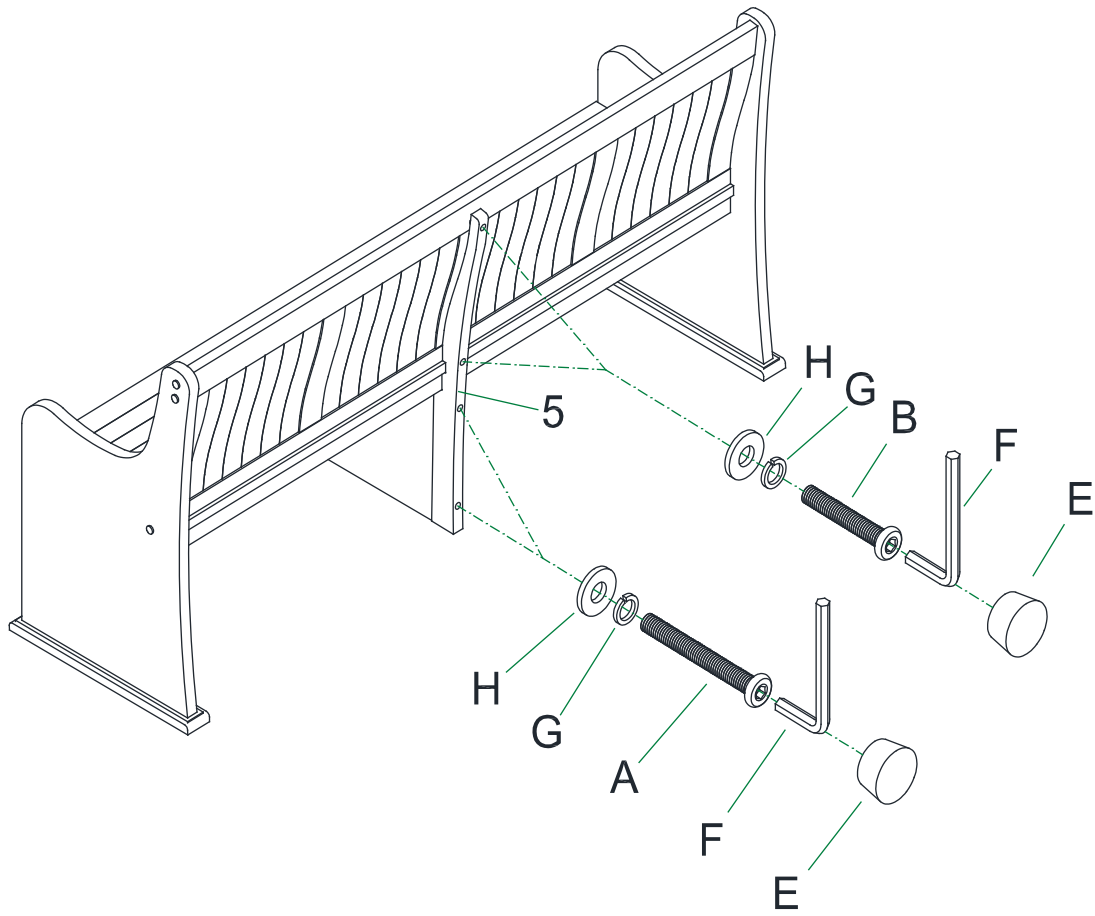
STEP 1



STEP 2



STEP 3



STEP 4

