

IMPORTANT NOTE:

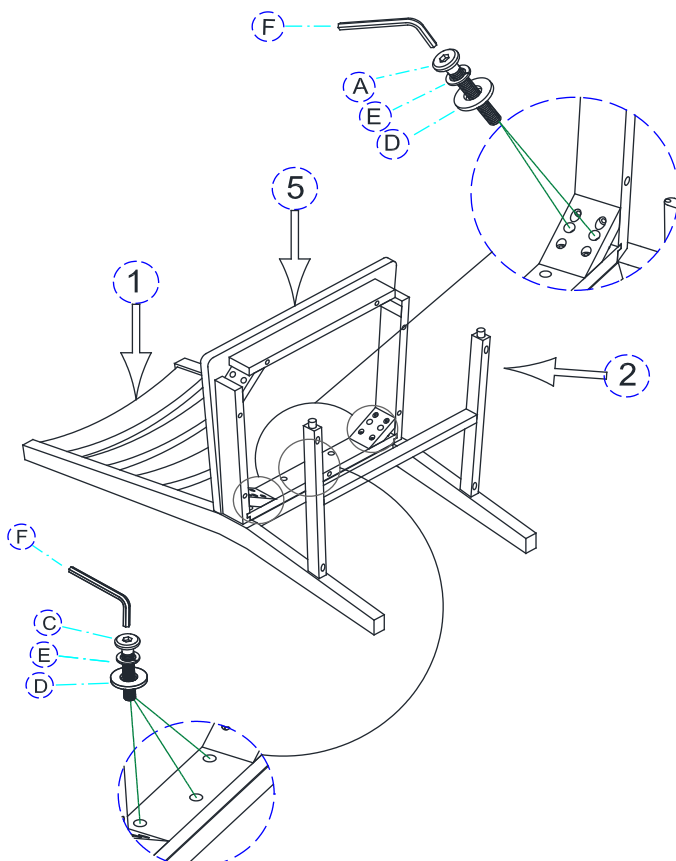
- Place all wooden parts on a clean and smooth surface such as a rug or carpet to avoid the parts from being scratched.
- Check to be sure that you have all parts and hardware.
- Remove all wrapping materials, including staples & packing straps before you start to assemble.
- Do not tighten all screws/bolts until all completely assembled.
- Keep all hardware parts out of reach of children.

Each chair

PARTS LIST		
NO.	COMPONENT	QTY.
1	CHAIR BACK	1PC
2	STRETCHER	1PC
3	LEG LEFT	1PC
4	LEG RIGHT	1PC
5	CHAIR SEAT	1PC

HARDWARE LIST			
NO.	DESCRIPTION		QTY
A		Bolt Φ 1/4" x 80mm	4 PCS
B		Bolt Φ 1/4" x 50mm	4 PCS
C		Bolt Φ 1/4" x 40mm	3 PCS
D		Flat washer Φ 1/4"	11 PCS
E		Lock washer Φ 1/4"	11 PCS
F		Allen wrench M4 *58mm	1 PC
G		Wood Screw #8*38mm	4 PCS

STEP 1



STEP 2

