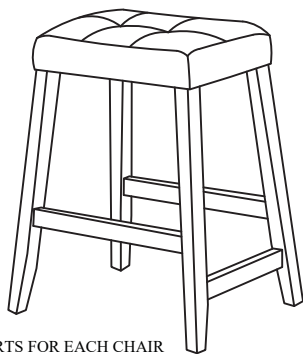


Progressive® ASSEMBLY INSTRUCTION

furniture Item No: D847-64 / D847-67

Description: UPH COUNTER STOOL



IMPORTANT NOTE :

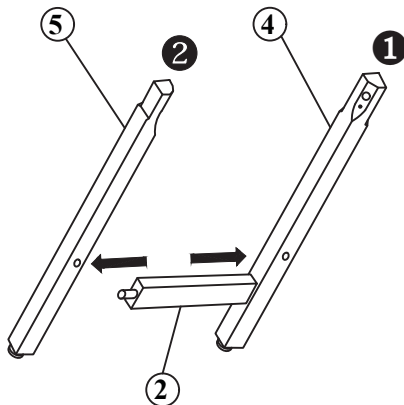
- Place all wooden parts on a clean and smooth surface such as a rug or carpet to avoid the parts from being scratched.
- Check to be sure that you have all parts and hardware.
- Remove all wrapping materials, including staples & packing straps before you start to assemble.
- Do not tighten all screws/bolts until all completely assembled.
- Keep all hardware parts out of reach of children.

PARTS FOR EACH CHAIR

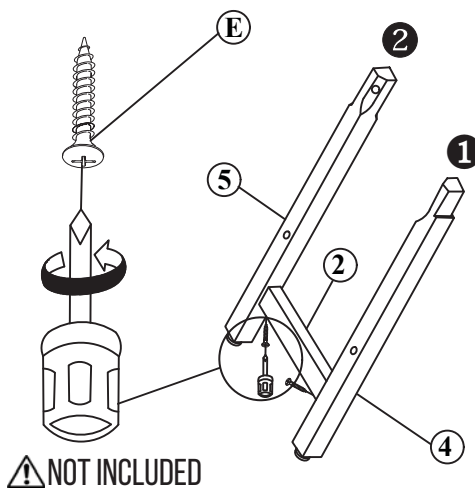
PARTS LIST		
NO.	COMPONENT	QTY.
1	SEAT CUSHION	1 PCS
2	SHORT SIDE STRETCHER	2 PCS
3	LONG FRONT/REAR STRETCHER	2 PCS
4	LEG ①	2 PCS
5	LEG ②	2 PCS

HARDWARE LIST		
NO.	DESCRIPTION	QTY.
A	M4 x 60MM ALLEN KEY	1 PCS
B	M6 x 45MM JCBC BOLT	4 PCS
C	M6 x 13MM SPRING WASHER	4 PCS
D	M6 x 19MM FLAT WASHER	4 PCS
E	M4 x 45MM PAN HEAD SCREW	8 PCS

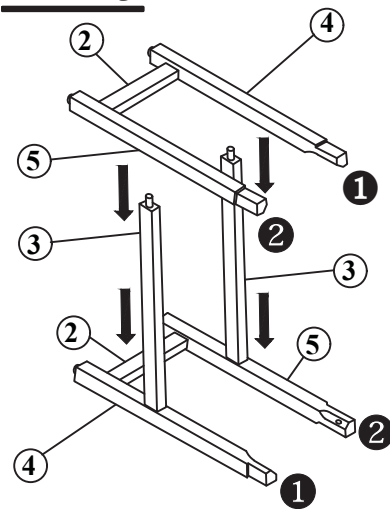
STEP 1



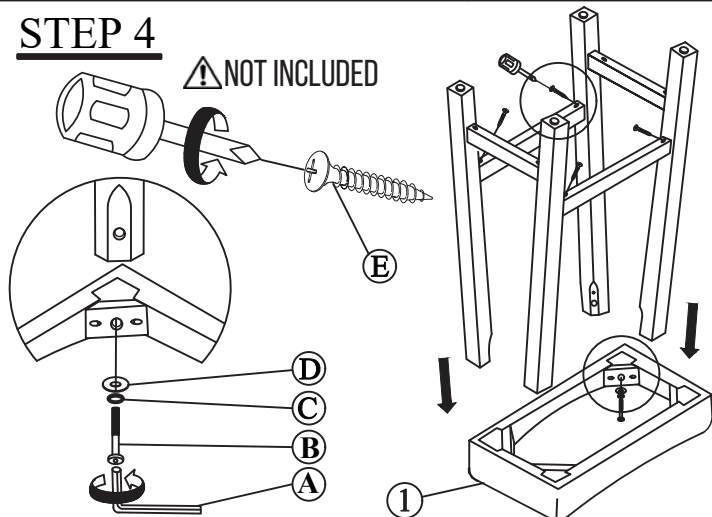
STEP 2



STEP 3



STEP 4



STEP 5

