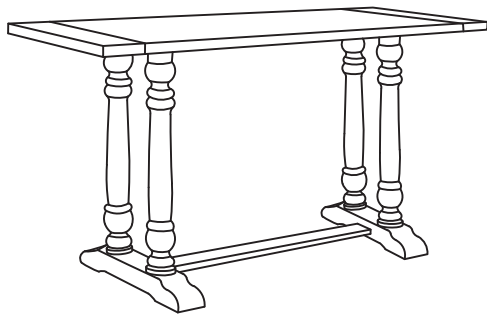


# Progressive® ASSEMBLY INSTRUCTION


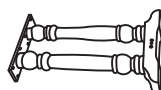

furniture Item No: D847-12


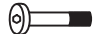
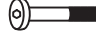




Description: COUNTER TABLE



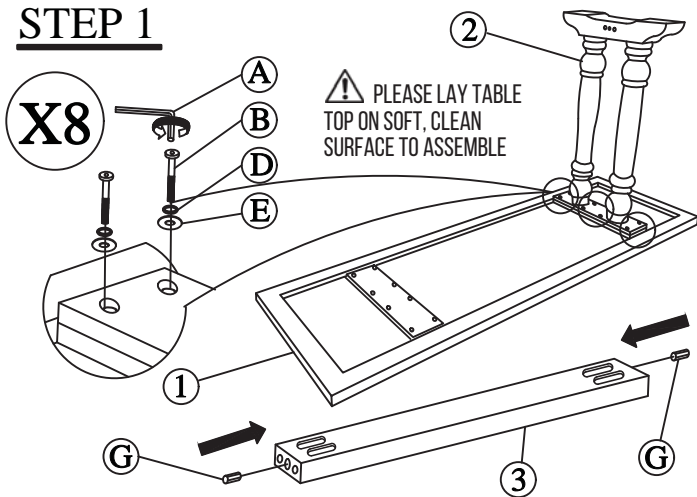
## IMPORTANT NOTE :

- Place all wooden parts on a clean and smooth surface such as a rug or carpet to avoid the parts from being scratched.
- Check to be sure that you have all parts and hardware.
- Remove all wrapping materials, including staples & packing straps before you start to assemble.
- Do not tighten all screws/bolts until all completely assembled.
- Keep all hardware parts out of reach of children.

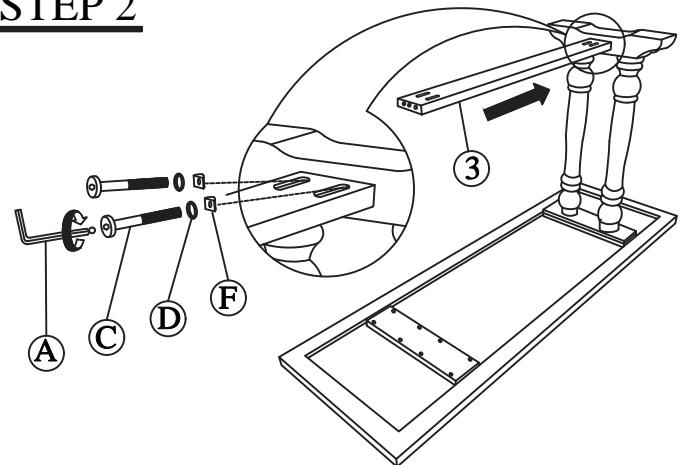
PARTS LIST		
NO.	COMPONENT	QTY.
1	TABLE TOP 	1 PCS
2	TABLE LEG 	2 PCS
3	BOTTOM STRETCHER 	1 PCS

HARDWARE LIST		
NO.	DESCRIPTION	QTY.
A	M4 x 110MM ALLEN KEY 	1 PCS
B	M6 x 35MM JCBC BOLT 	16 PCS
C	M6 x 50MM JCBC BOLT 	4 PCS
D	M6 x 13MM SPRING WASHER 	20 PCS
E	M6 x 19MM FLAT WASHER 	16 PCS
F	D SHAPE SPACER 	4 PCS
G	M10 x 30MM WOOD DOWEL 	2 PCS

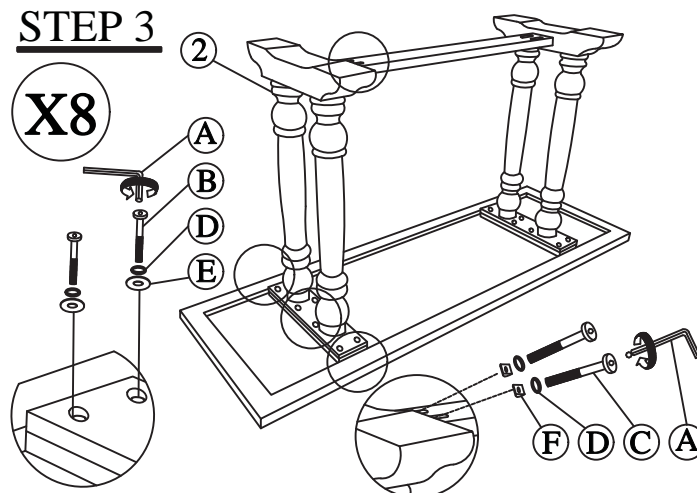
### STEP 1



### STEP 2



### STEP 3



### STEP 4

