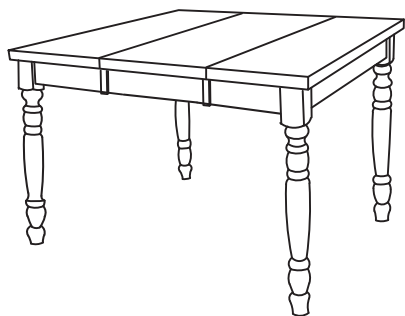


# Progressive® ASSEMBLY INSTRUCTION

furniture

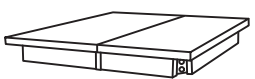


Item No: D845-12A / D845-12C





Description: RECTANGULAR COUNTER TABLE



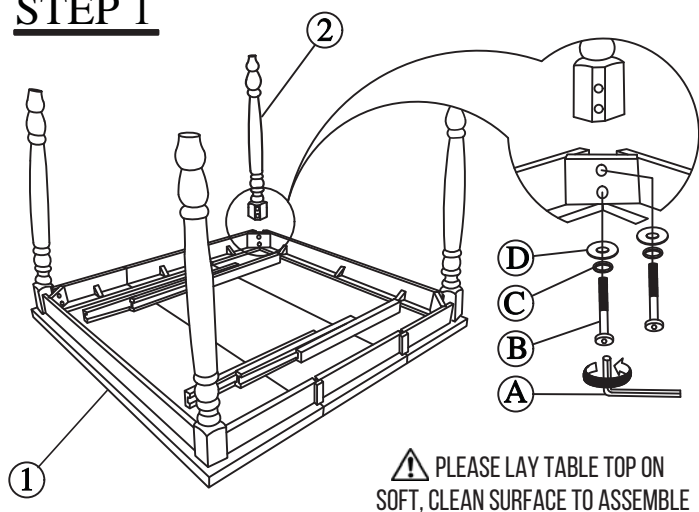
## IMPORTANT NOTE :

- Place all wooden parts on a clean and smooth surface such as a rug or carpet to avoid the parts from being scratched.
- Check to be sure that you have all parts and hardware.
- Remove all wrapping materials, including staples & packing straps before you start to assemble.
- Do not tighten all screws/bolts until all completely assembled.
- Keep all hardware parts out of reach of children.

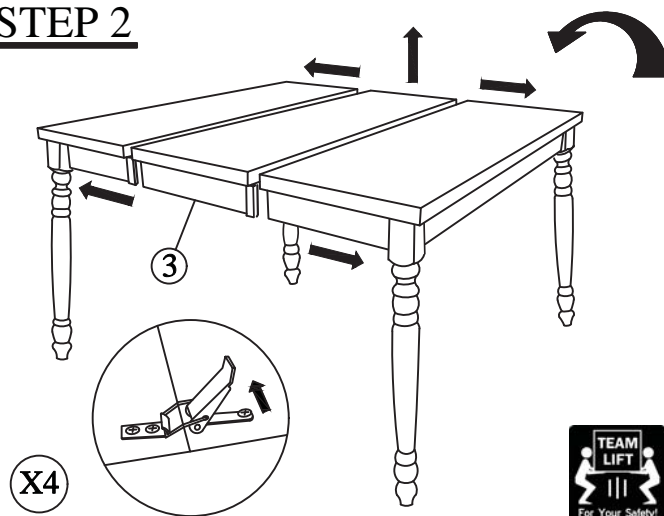
PARTS LIST		
NO.	COMPONENT	QTY.
1	TABLE TOP 	1 PCS
2	TABLE LEG 	4 PCS
3	TABLE LEAF 	1 PCS

HARDWARE LIST		
NO.	DESCRIPTION	QTY.
A	M5 x 85MM ALLEN KEY 	1 PCS
B	M8 x 50MM JCBC BOLT 	8 PCS
C	M8 x 14MM SPRING WASHER 	8 PCS
D	M8 x 22MM FLAT WASHER 	8 PCS

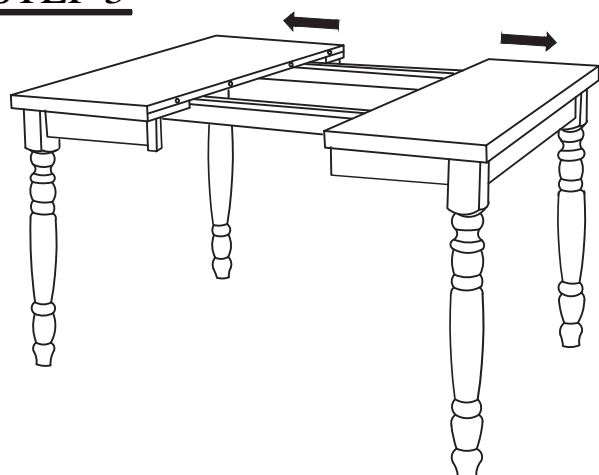
### STEP 1



### STEP 2



### STEP 3



### STEP 4

