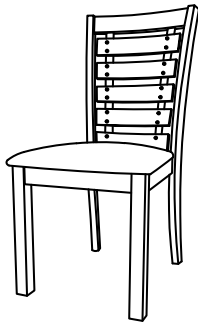


Progressive® ASSEMBLY INSTRUCTION

furniture Item No: D841-61




Description: DINING CHAIR

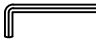







IMPORTANT NOTE :

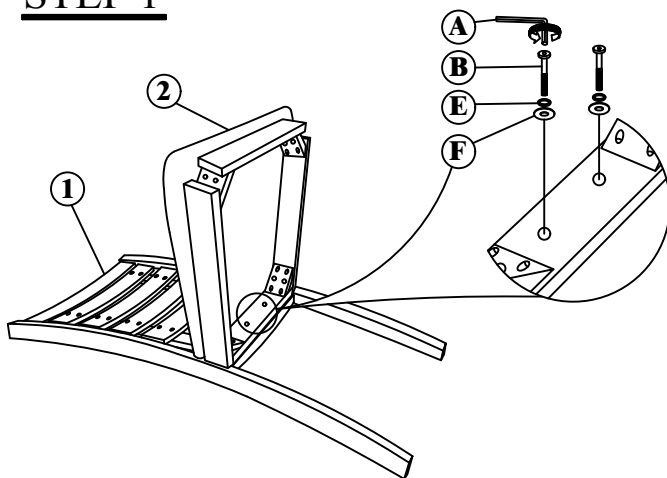
- Place all wooden parts on a clean and smooth surface such as a rug or carpet to avoid the parts from being scratched.
- Check to be sure that you have all parts and hardware.
- Remove all wrapping materials, including staples & packing straps before you start to assemble.
- Do not tighten all screws/bolts until all completely assembled.
- Keep all hardware parts out of reach of children.

▲ PARTS FOR EACH CHAIR

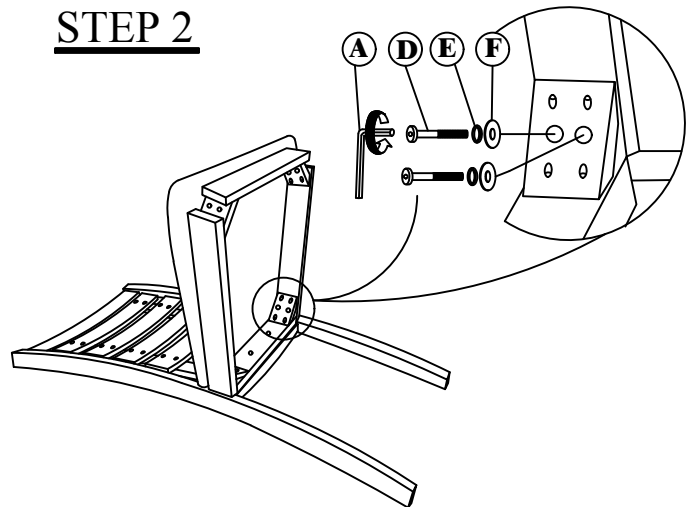
PARTS LIST		
NO.	COMPONENT	QTY.
1	CHAIR BACK 	1 PCS
2	SEAT CUSHION WITH FRAME 	1 PCS
3	FRONT LEG 	2 PCS

HARDWARE LIST		
NO.	DESCRIPTION	QTY.
A	ALLEN KEY M4 x 60MM 	1 PCS
B	JCBC BOLT M6 x 35MM 	2 PCS
C	JCBC BOLT M6 x 60MM 	4 PCS
D	JCBC BOLT M6 x 80MM 	4 PCS
E	SPRING WASHER M6 x 13MM 	10 PCS
F	FLAT WASHER M6 x 19MM 	10 PCS

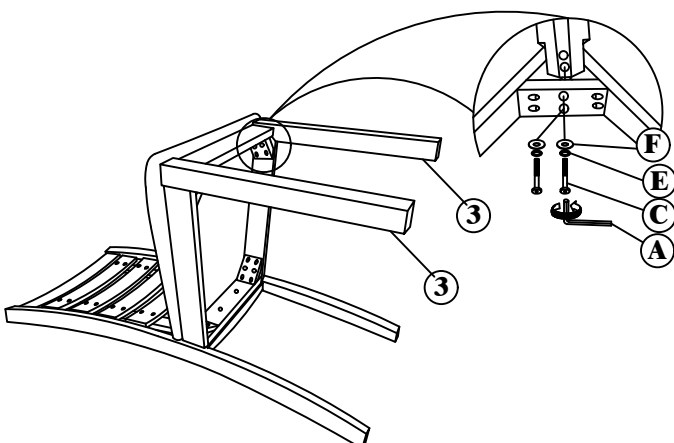
STEP 1



STEP 2



STEP 3



STEP 4

