

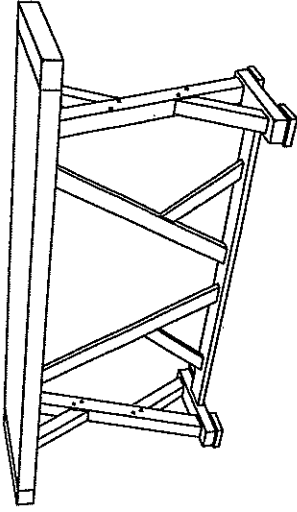
# Progressive® ASSEMBLY INSTRUCTION

furniture Item No: D841-52

## Description: COUNTER TABLE

### IMPORTANT NOTE:

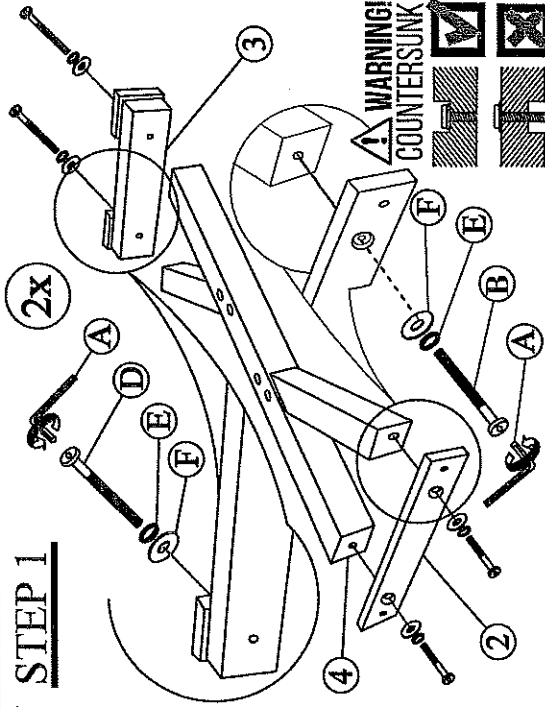
- Place all wooden parts on a clean and smooth surface such as a rug or carpet to avoid the parts from being scratched.
- Check to be sure that you have all parts and hardware.
- Remove all wrapping materials, including staples & packing straps before you start to assemble.
- Do not tighten all screws/bolts until all completely assembled.
- Keep all hardware parts out of reach of children.



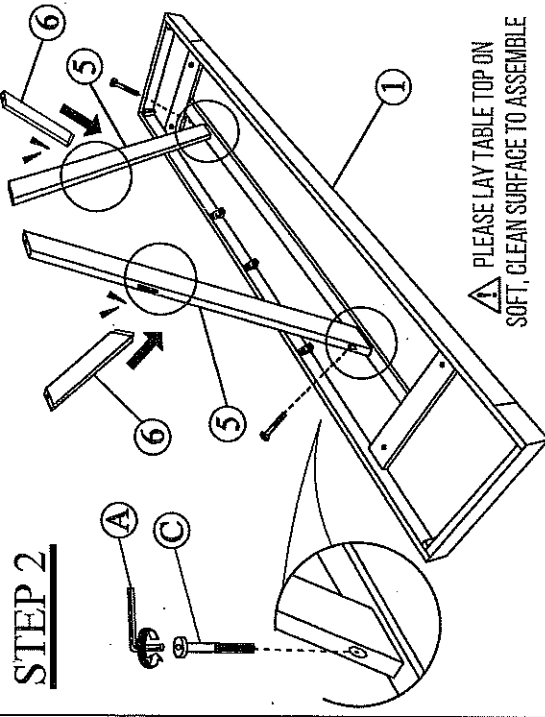
NO.	PARTS LIST COMPONENT	QTY.
1	TABLE TOP	1 PCS
2	MOUNTING PLATE	2 PCS
3	LEG BASE RAIL	2 PCS
4	LEG ASSEMBLY	2 PCS
5	SUPPORT BRACE	2 PCS
6	SIDE BRACE	2 PCS
7	LOWER STRETCHER	1 PCS

NO.	HARDWARE LIST DESCRIPTION	QTY.
A	M4 x 100MM ALLEN KEY	1 PCS
B	M6 x 35MM JCBC BOLT	8 PCS
C	M6 x 50MM JCBC BOLT	10 PCS
D	M6 x 80MM JCBC BOLT	4 PCS
E	M6 x 13MM SPRING WASHER	20 PCS
F	M6 x 19MM FLAT WASHER	16 PCS
G	D SHAPE SPACER	4 PCS
H	10MM x 30MM WOOD DOWEL	2 PCS

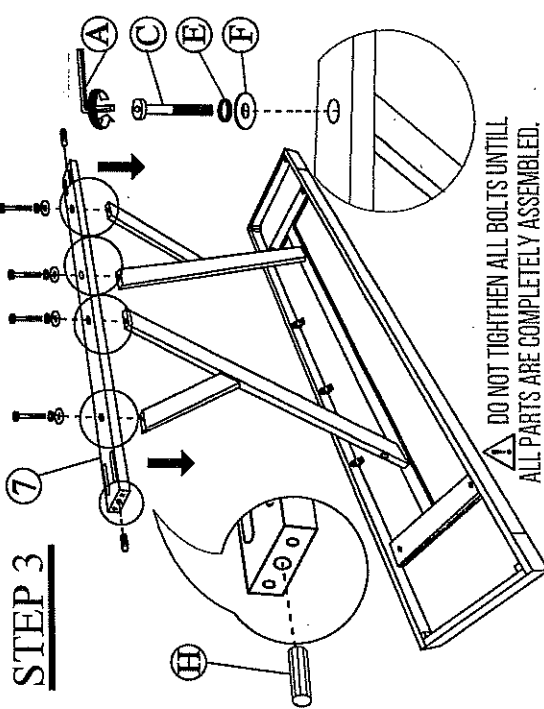
### STEP 1



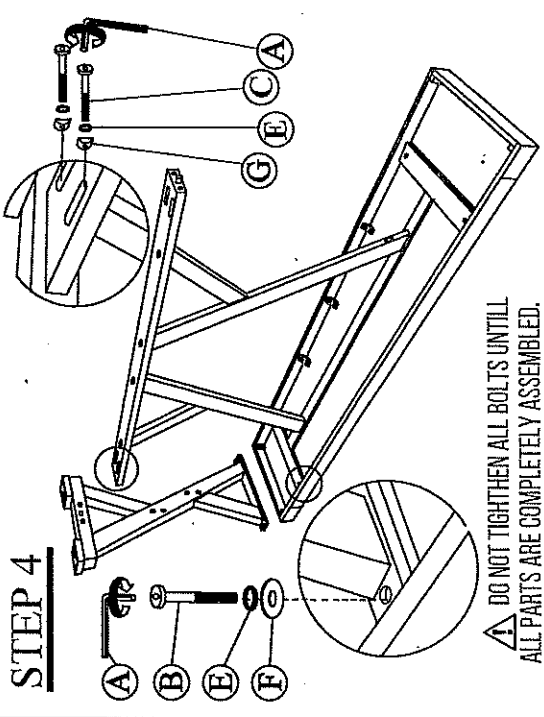
### STEP 2



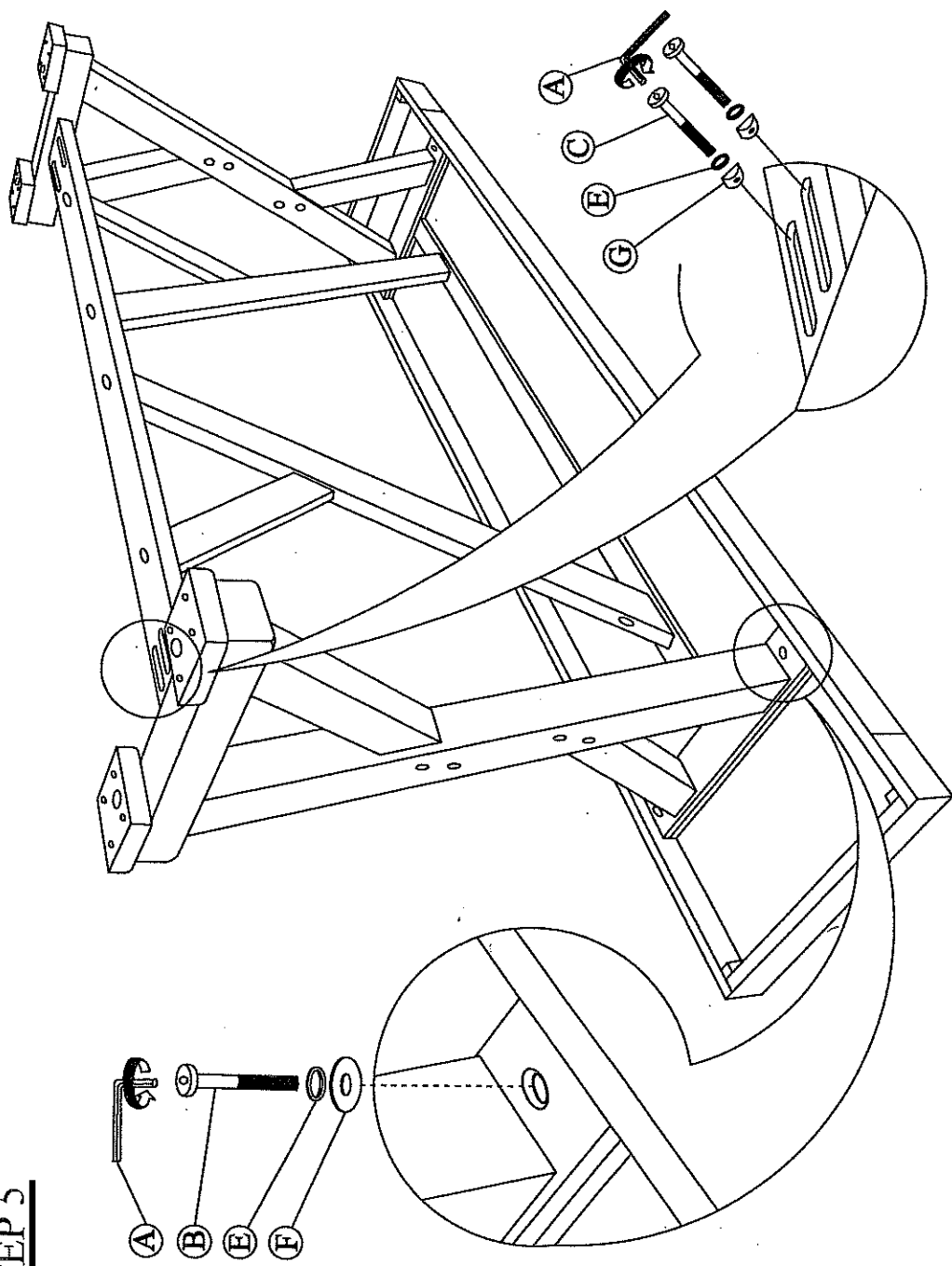
### STEP 3



### STEP 4



**STEP 5**



**STEP 6**

