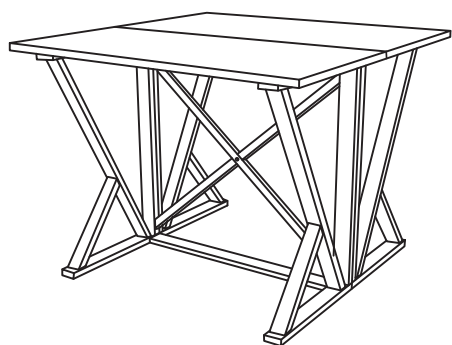


Progressive® ASSEMBLY INSTRUCTION

furniture Item No: D841-15

Description: GATELEG COUNTER TABLE



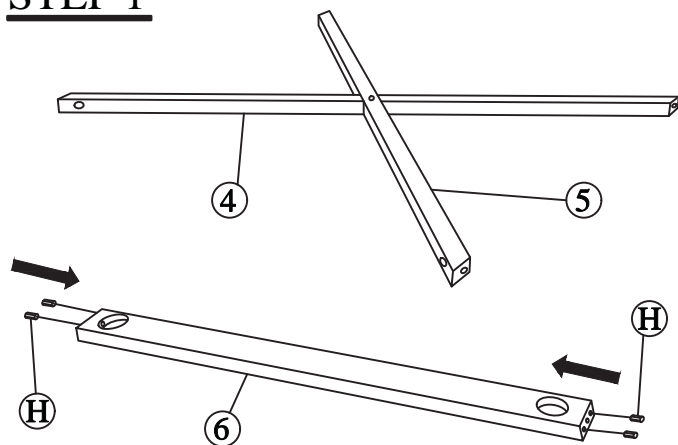
IMPORTANT NOTE :

- Place all wooden parts on a clean and smooth surface such as a rug or carpet to avoid the parts from being scratched.
- Check to be sure that you have all parts and hardware.
- Remove all wrapping materials, including staples & packing straps before you start to assemble.
- Do not tighten all screws/bolts until all completely assembled.
- Keep all hardware parts out of reach of children.

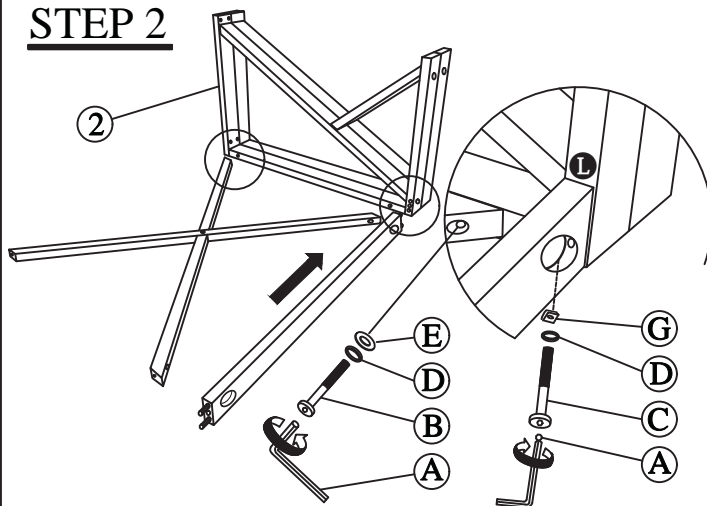
PARTS LIST		
NO.	COMPONENT	QTY.
1	TABLE TOP	1 PCS
2	TABLE LEG L	1 PCS
3	TABLE LEG R	1 PCS
4	CROSS RAIL 1	1 PCS
5	CROSS RAIL 2	1 PCS
6	BOTTOM RAIL	1 PCS

HARDWARE LIST		
NO.	DESCRIPTION	QTY.
A	M4 x 110MM ALLEN KEY	1 PCS
B	M6 x 25MM JCBC BOLT	5 PCS
C	M6 x 50MM JCBC BOLT	10 PCS
D	M6 x 13MM SPRING WASHER	15 PCS
E	M6 x 14MM FLAT WASHER	5 PCS
F	M6 x 19MM FLAT WASHER	8 PCS
G	FLAT RECTANGULAR WASHER	2 PCS
H	M8 x 25MM WOOD DOWEL	4 PCS
I	ADJUSTABLE LEG LEVELER	6 PCS

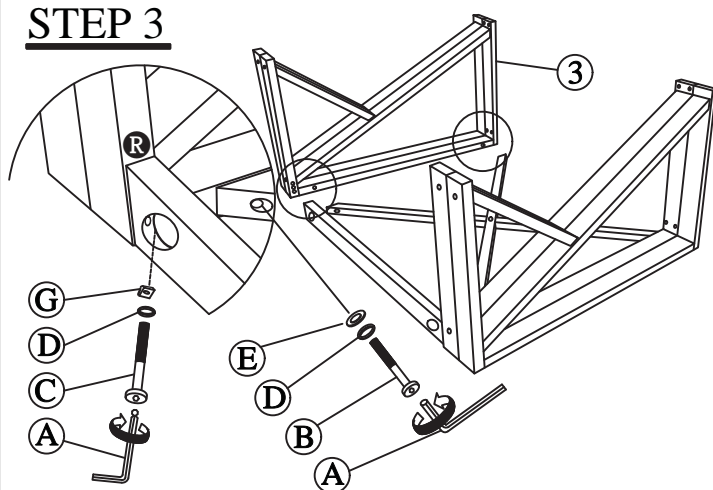
STEP 1



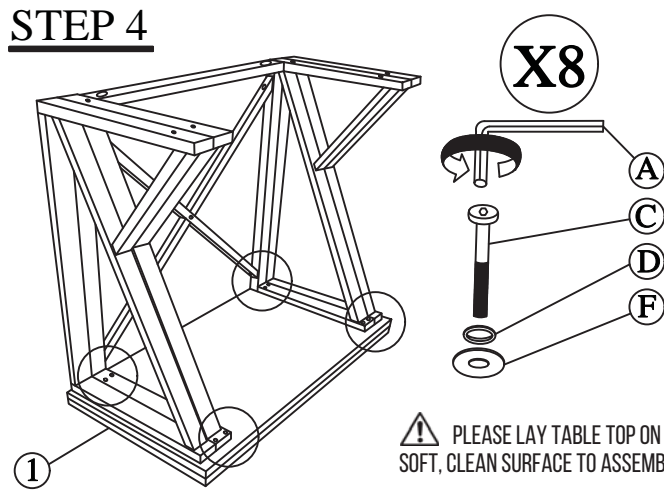
STEP 2



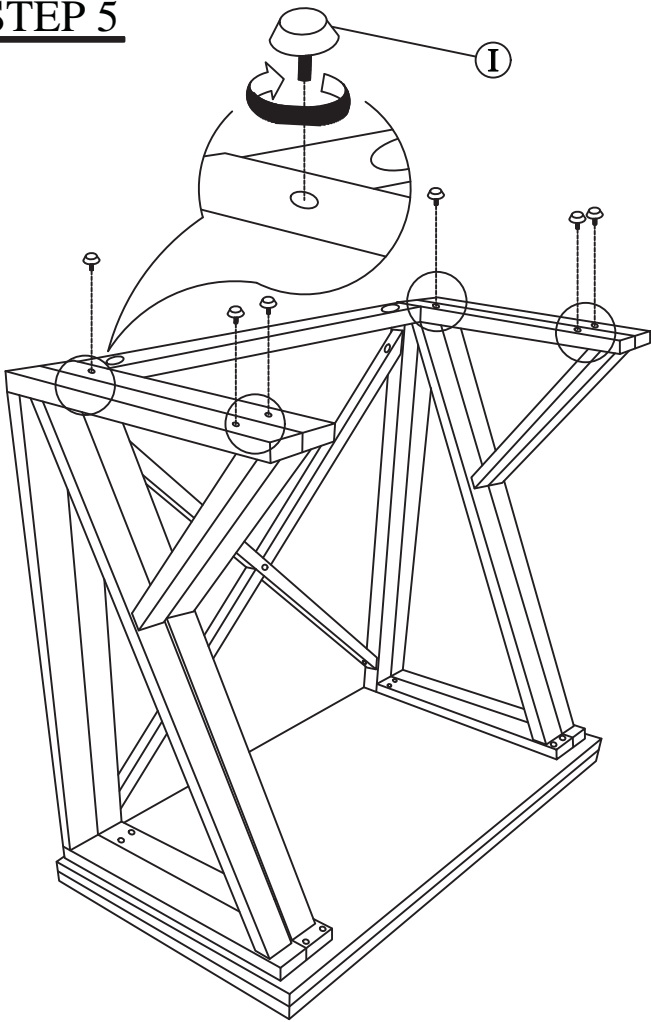
STEP 3



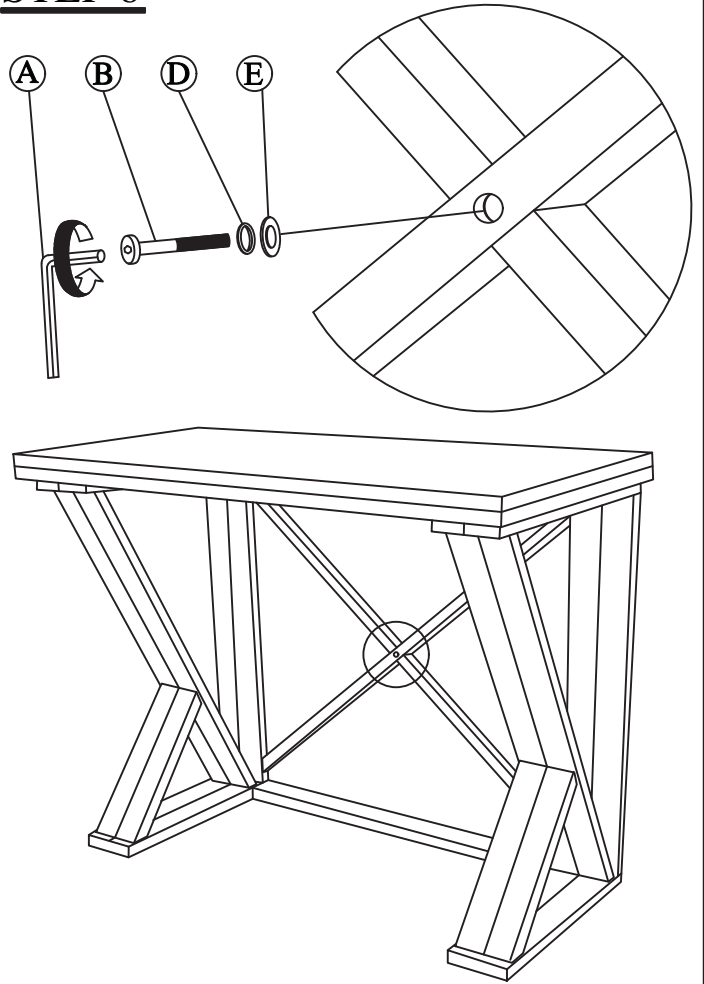
STEP 4



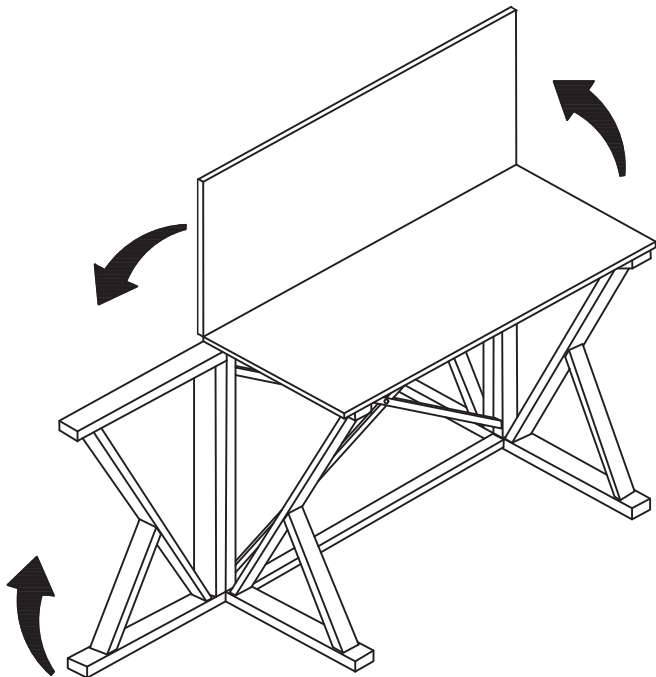
STEP 5



STEP 6



STEP 7



STEP 8

