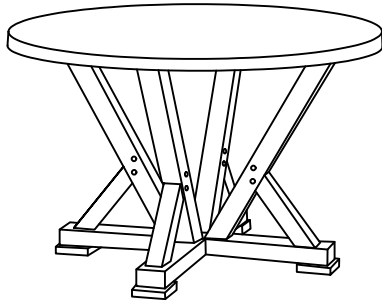


Progressive® ASSEMBLY INSTRUCTION

furniture

Item No: D841-13

Description: ROUND DINING TABLE



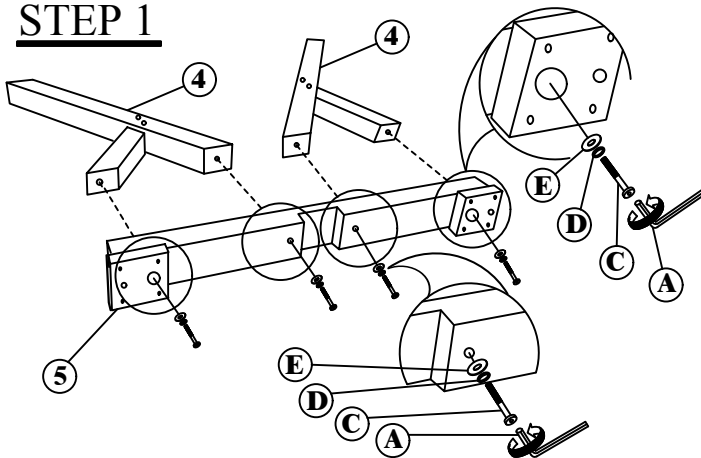
IMPORTANT NOTE :

- Place all wooden parts on a clean and smooth surface such as a rug or carpet to avoid the parts from being scratched.
- Check to be sure that you have all parts and hardware.
- Remove all wrapping materials, including staples & packing straps before you start to assemble.
- Do not tighten all screws/bolts until all completely assembled.
- Keep all hardware parts out of reach of children.

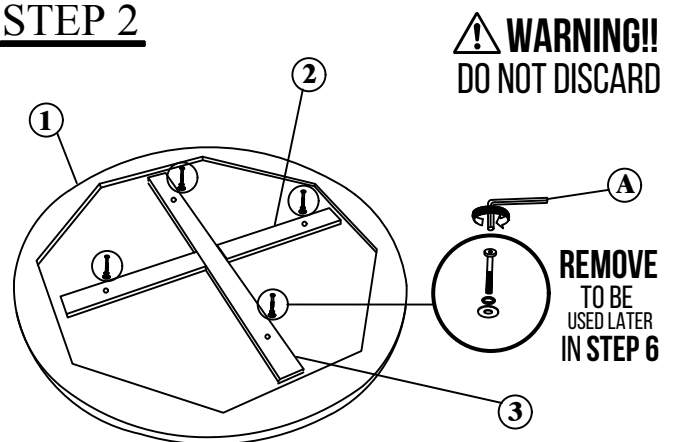
PARTS LIST		
NO.	COMPONENT	QTY.
1	TABLE TOP	1 PCS
2	UPPER MOUNTING PLATE	1 PCS
3	LOWER MOUNTING PLATE	1 PCS
4	LEG ASSEMBLY	4 PCS
5	UPPER LEG BASE	1 PCS
6	LOWER LEG BASE	1 PCS

HARDWARE LIST		
NO.	DESCRIPTION	QTY.
A	ALLEN KEY M4 x 60MM	1 PCS
B	JCBC BOLT M6 x 40MM	4 PCS
C	JCBC BOLT M6 x 80MM	8 PCS
D	SPRING WASHER M6 x 13MM	12 PCS
E	FLAT WASHER M6 x 19MM	12 PCS
F	ADJUSTABLE LEG LEVELER	4 PCS

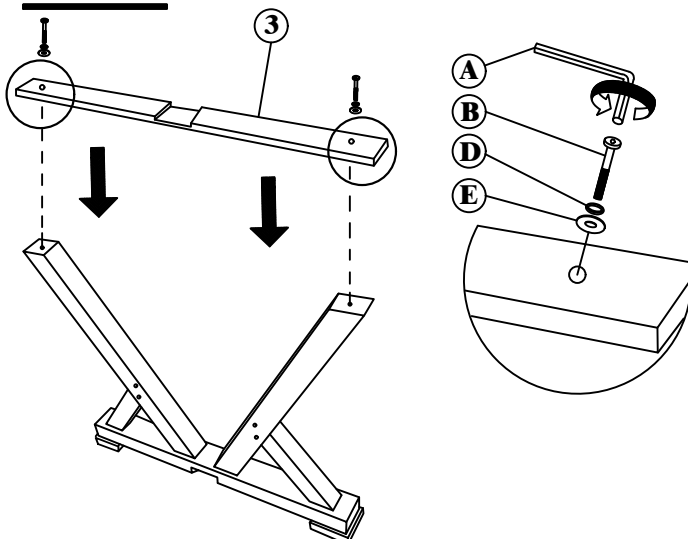
STEP 1



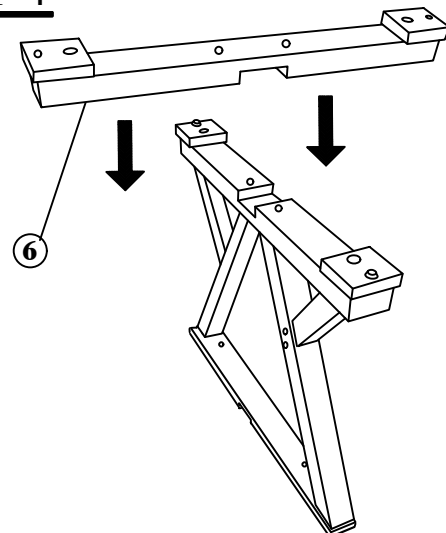
STEP 2



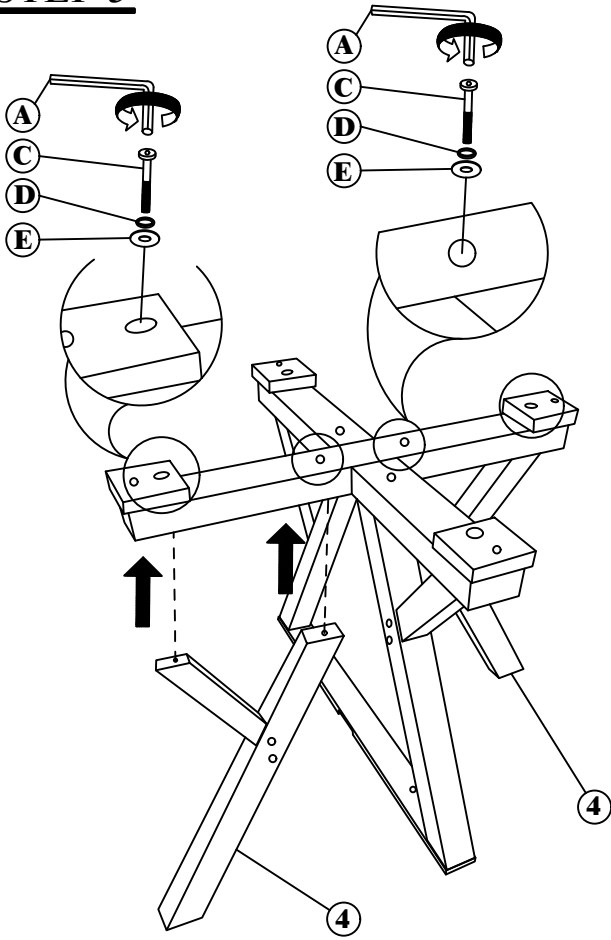
STEP 3



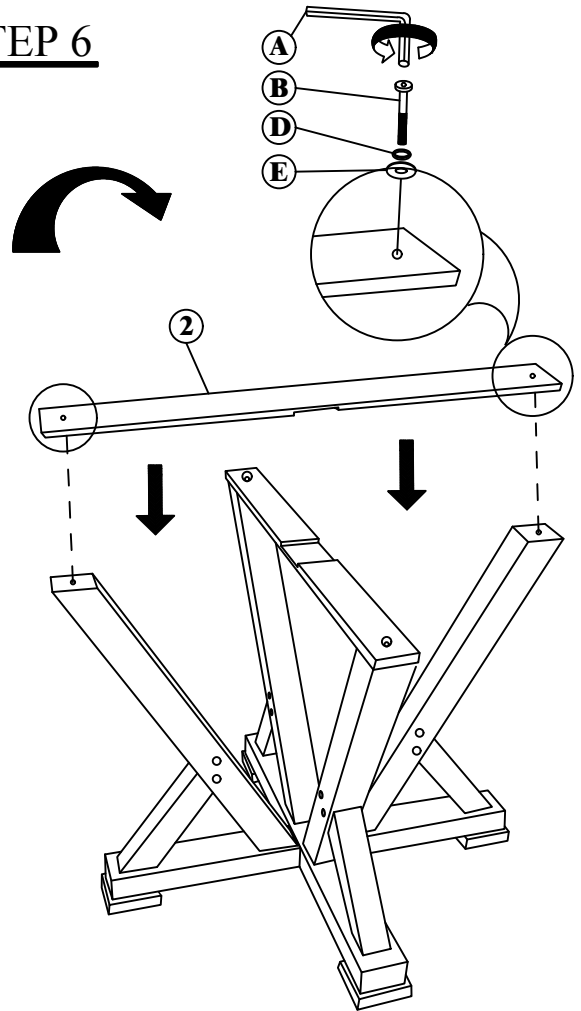
STEP 4



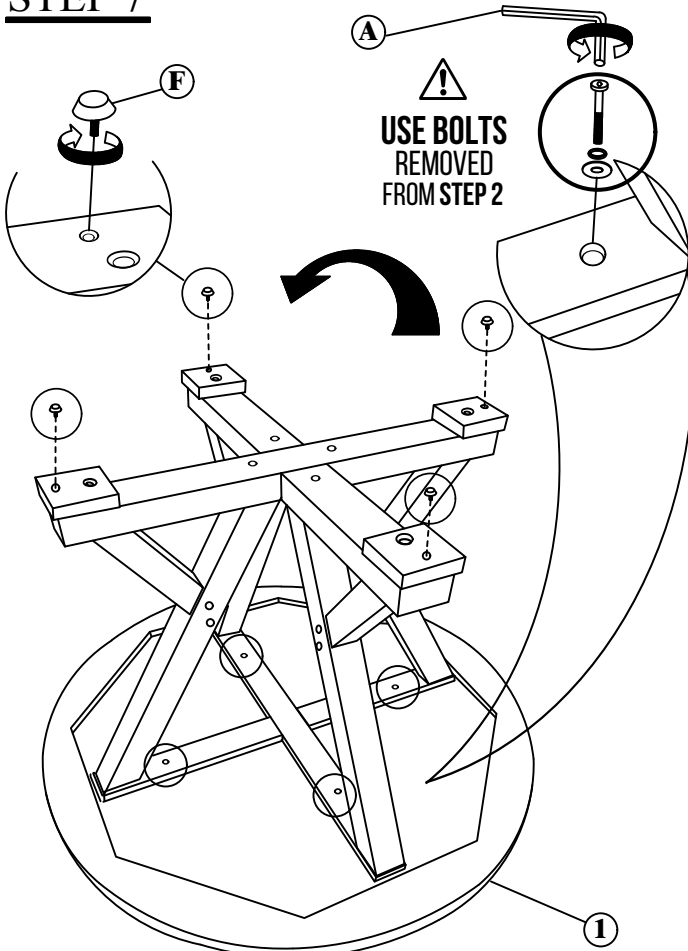
STEP 5



STEP 6



STEP 7



STEP 8

