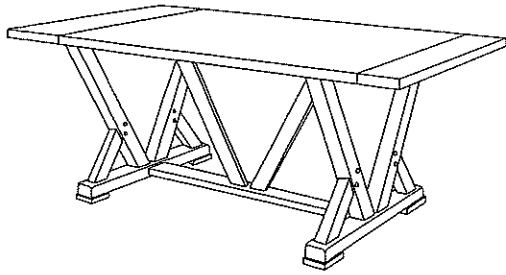


Progressive® ASSEMBLY INSTRUCTION

furniture Item No: D841-10

Description: RECTANGULAR DINING TABLE



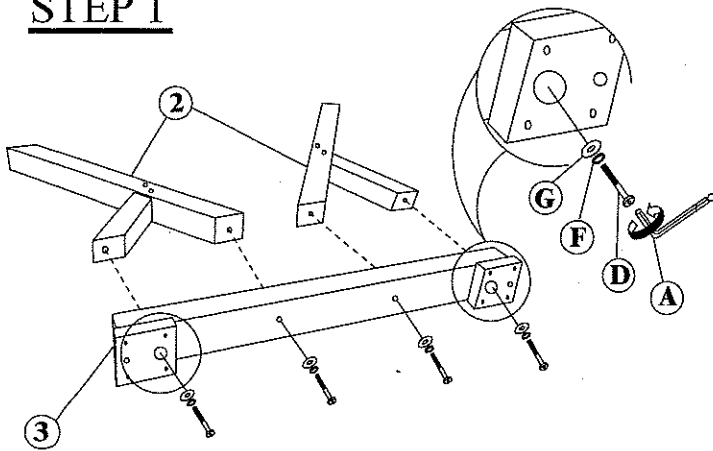
IMPORTANT NOTE :

- Place all wooden parts on a clean and smooth surface such as a rug or carpet to avoid the parts from being scratched.
- Check to be sure that you have all parts and hardware.
- Remove all wrapping materials, including staples & packing straps before you start to assemble.
- Do not tighten all screws/bolts until all completely assembled.
- Keep all hardware parts out of reach of children.

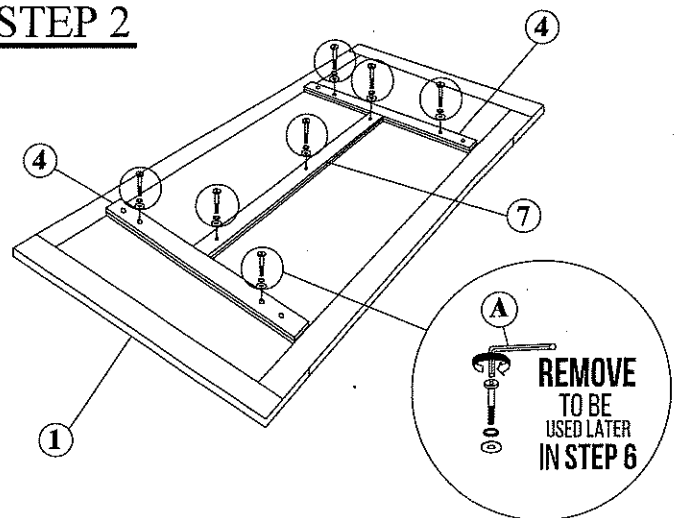
PARTS LIST		
NO.	COMPONENT	QTY.
1	TABLE TOP	1 PCS
2	LEG ASSEMBLY	4 PCS
3	LEG BASE RAIL	2 PCS
4	MOUNTING PLATE	2 PCS
5	STRETCHER BRACE	2 PCS
6	LOWER STRETCHER	1 PCS
7	UPPER STRETCHER	1 PCS

HARDWARE LIST		
NO.	DESCRIPTION	QTY.
A	M4 x 100MM ALLEN KEY	1 PCS
B	M6 x 35MM JCBC BOLT	8 PCS
C	M6 x 60MM JCBC BOLT	4 PCS
D	M6 x 80MM JCBC BOLT	8 PCS
E	PLASTIC WASHER	4 PCS
F	M6 x 13MM SPRING WASHER	16 PCS
G	M6 x 19MM FLAT WASHER	12 PCS
H	10MM x 30MM WOOD DOWEL	2 PCS
I	8MM x 30MM WOOD DOWEL	4 PCS
J	ADJUSTABLE LEG LEVELER	4 PCS

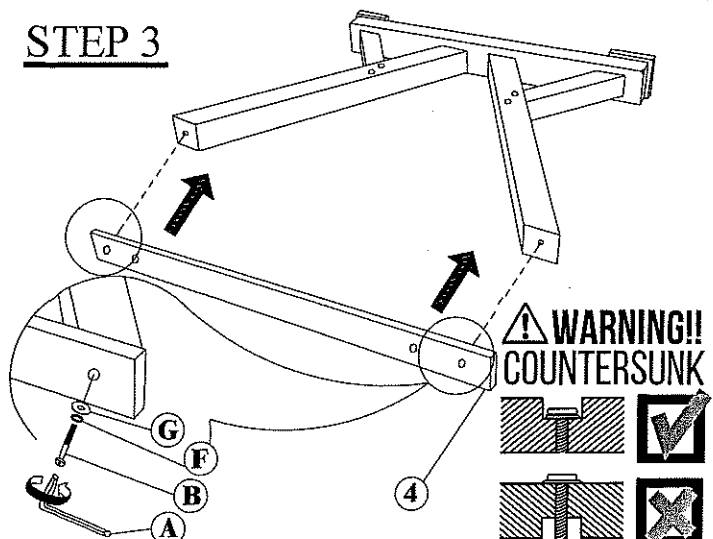
STEP 1



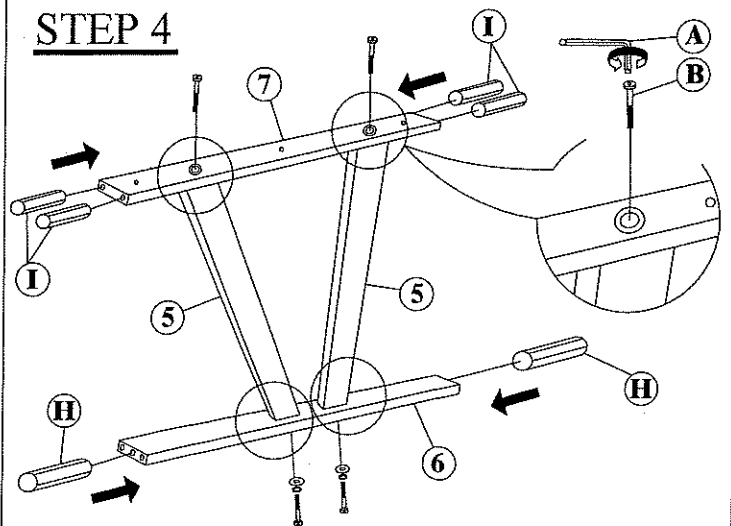
STEP 2



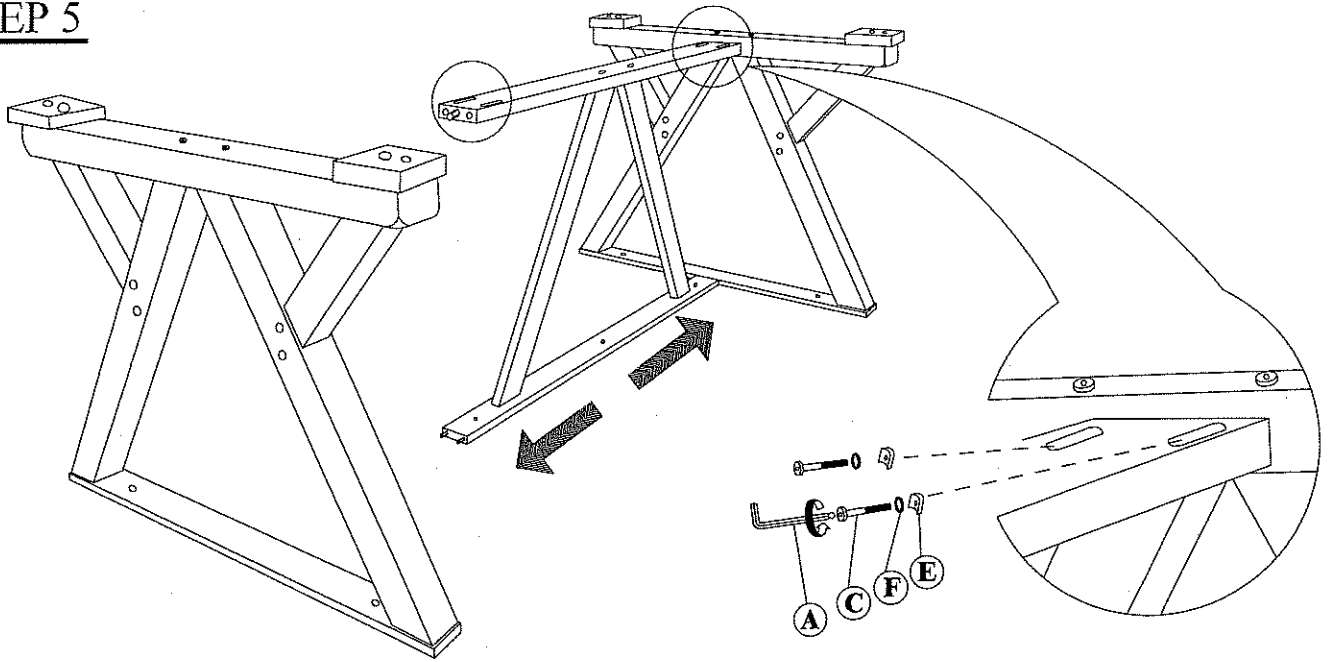
STEP 3



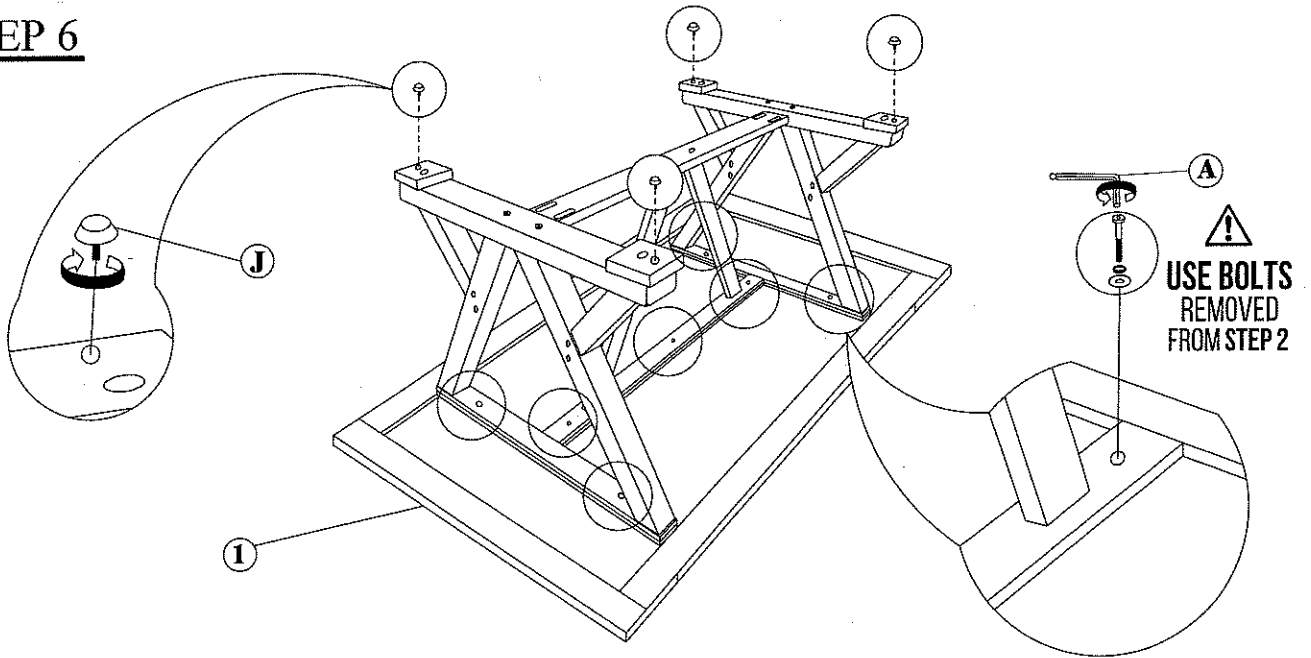
STEP 4



STEP 5



STEP 6



STEP 7

