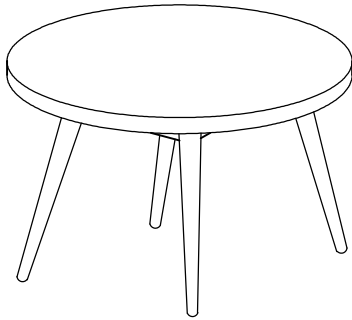


ASSEMBLY INSTRUCTION

Item No: D838-15

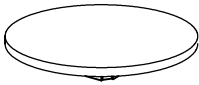

Description: ROUND DINING TABLE



IMPORTANT NOTE :

- Place all wooden parts on a clean and smooth surface such as a rug or carpet to avoid the parts from being scratched.
- Check to be sure that you have all parts and hardware.
- Remove all wrapping materials, including staples & packing straps before you start to assemble.
- Do not tighten all screws/bolts until all completely assembled.
- Keep all hardware parts out of reach of children.

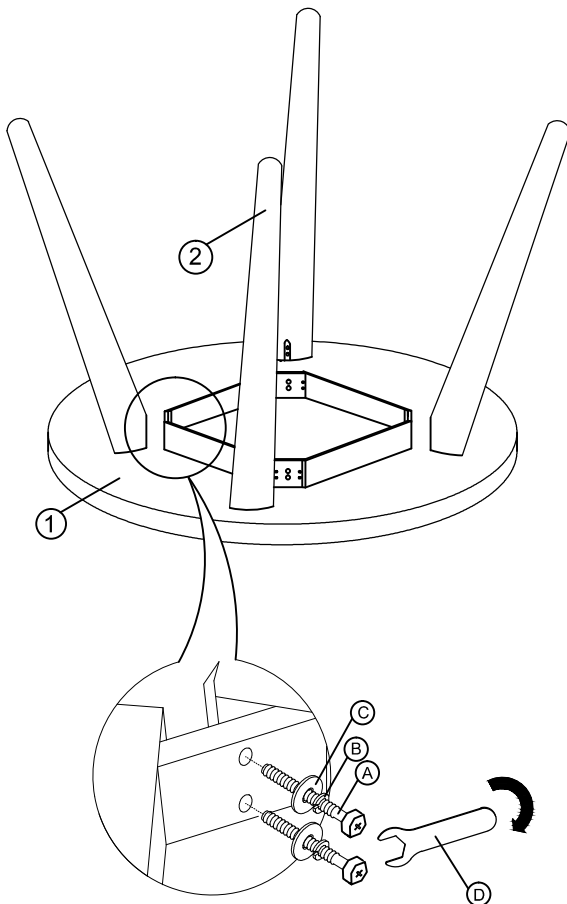
PARTS LIST

NO.	COMPONENT	QTY.
1	TABLE TOP 	1 PCS
2	TABLE LEG 	4 PCS

HARDWARE LIST

NO.	COMPONENT	QTY.
A	HEX BOLT - 5/16" x 2 1/2 "	8 PCS
B	SPRING WASHER - 5/16"	8 PCS
C	FLAT WASHER - 5/16"	8 PCS
D	ALLEN WRENCH-12.8MM	1 PCS

STEP 1



STEP 2

