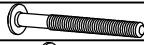
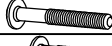
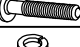

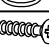
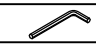

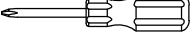
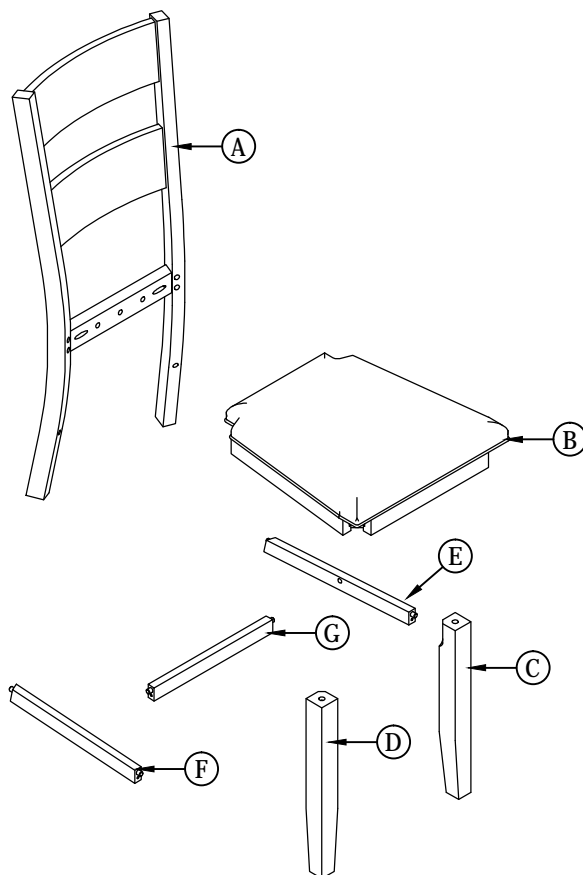


Thank you for purchasing this quality product. Be sure to check all packing material carefully for small parts, which may have come loose inside the carton during shipment. Identify and count all parts and compare with the Hardware List as below:

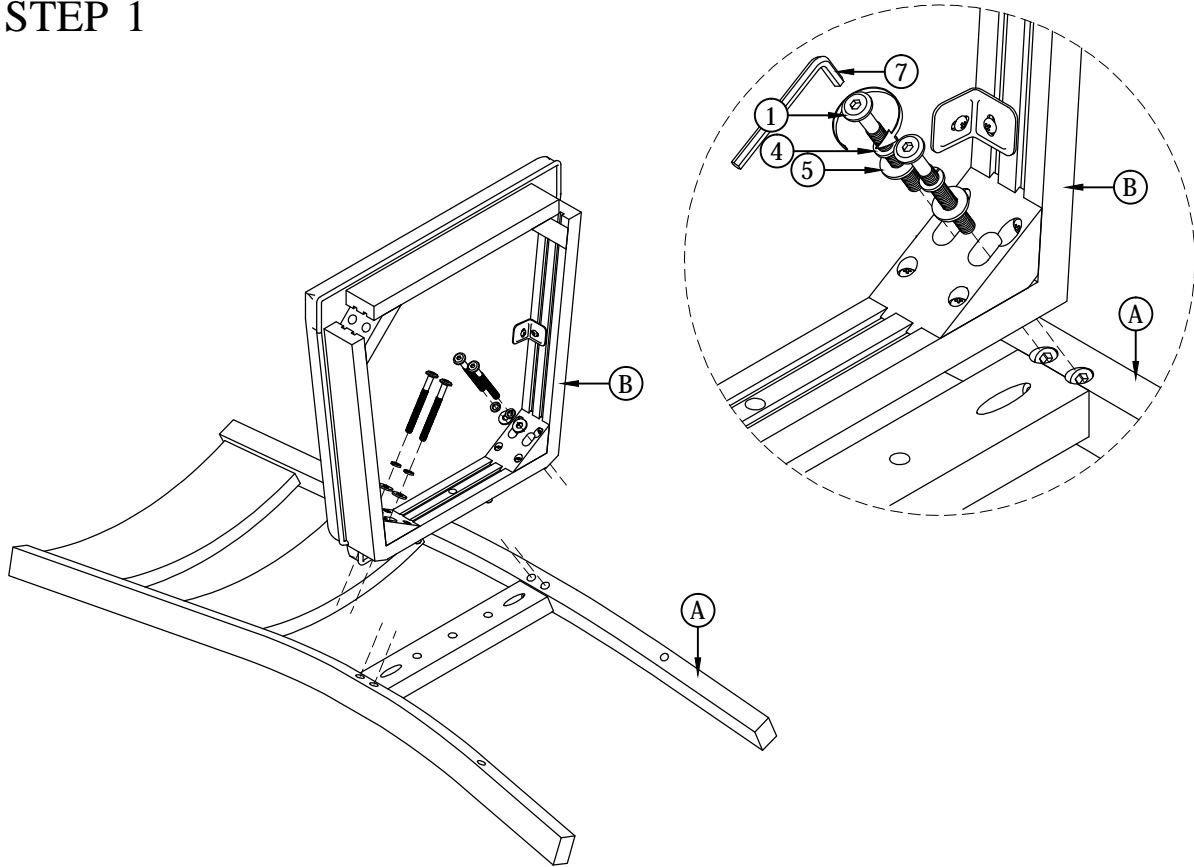
Part List	No	Description	Qty
	A	Back Frame Assembly	1
	B	Apron & Cushion Assembly	1
	C	Right Front Leg	1
	D	Left Front Leg	1
	E	Right Stretcher	1
	F	Left Stretcher	1
	G	Middle Stretcher	1

Hardware List	No	Picture	Description	Dimension	Qty
	1		Knock Down Bolt	M8 x 80 mm	4
	2		Knock Down Bolt	M8 x 70 mm	4
	3		Knock Down Bolt	M8 x 45 mm	1
	4		Lock Washer	8 x 13 x 2 mm	9
	5		Washer	8 x 19 x 2 mm	9
	6		Screw	#8 x 1 1/4"	6
	7		Allen Key #5 mm	#5 x 70 mm	1
8		Phillips Head Screwdriver ( Not Included )			

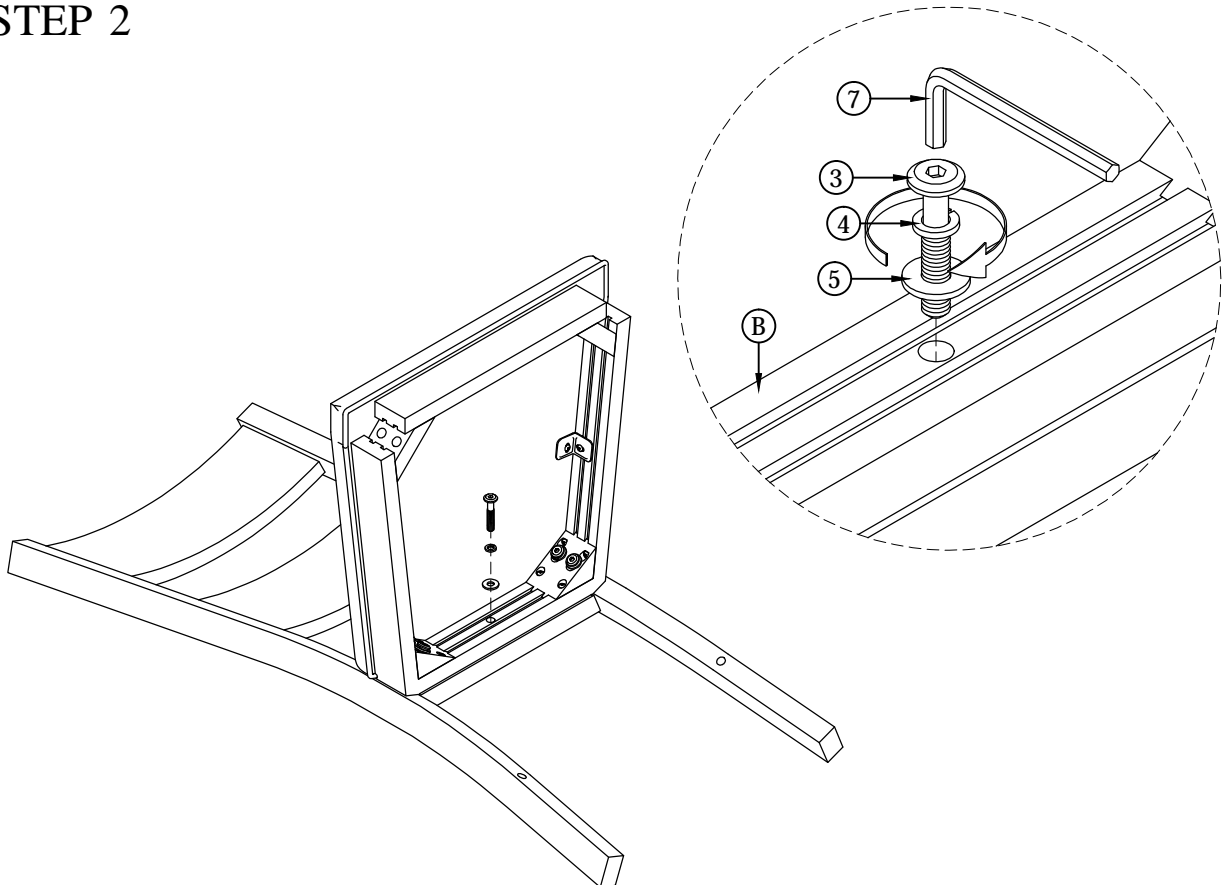


# ASSEMBLY STEP

## STEP 1

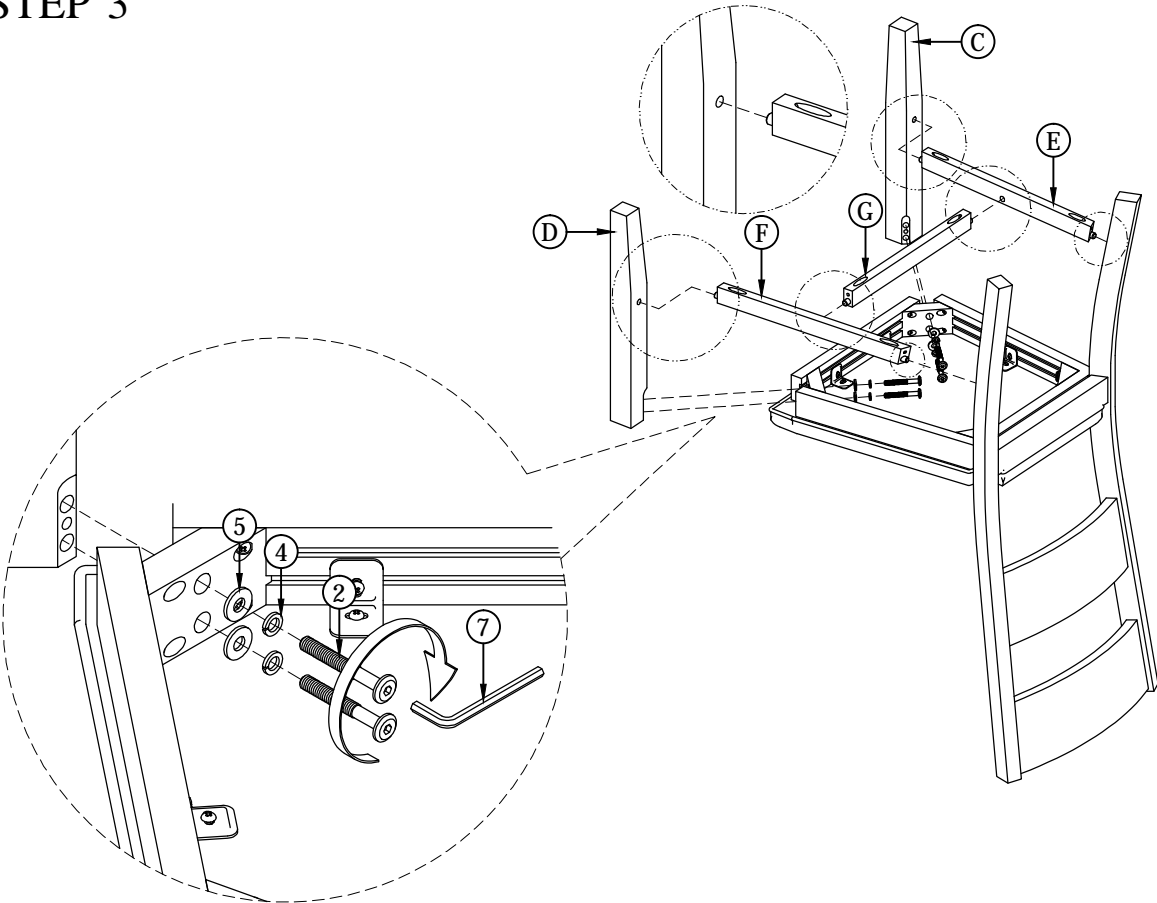


## STEP 2

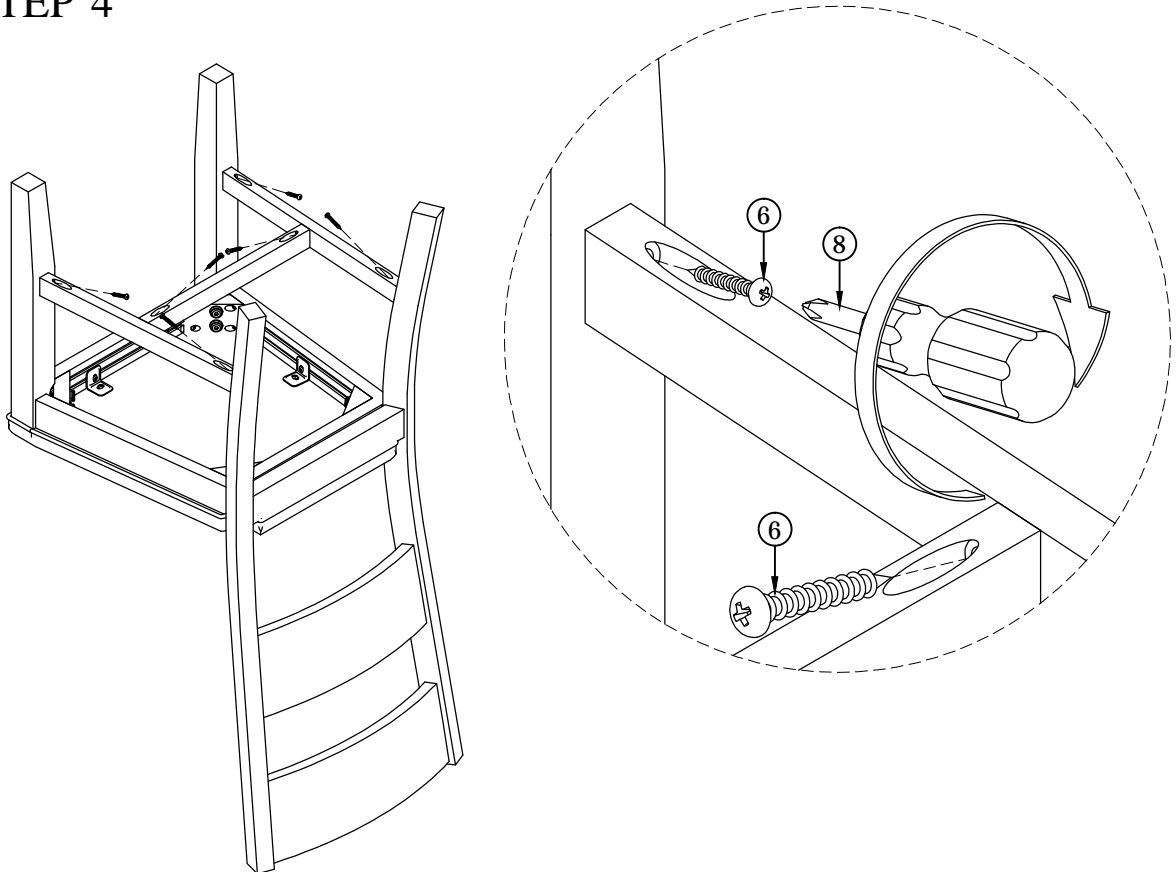


# ASSEMBLY STEP

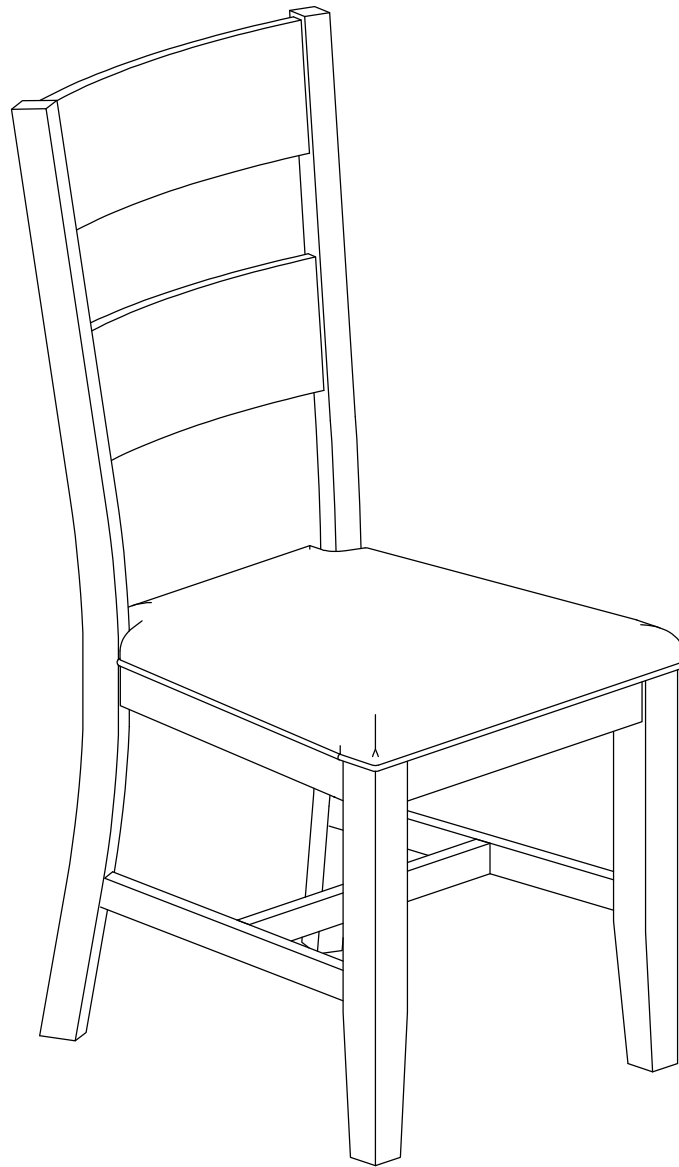
## STEP 3



## STEP 4



ASSEMBLY STEP



Assembly Completed