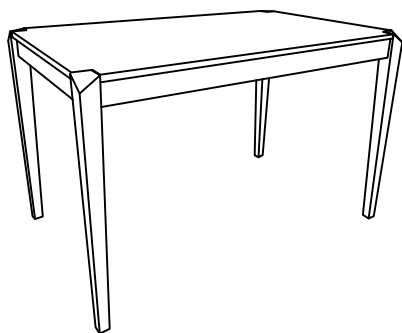


ASSEMBLY INSTRUCTION



Item No: D829-15





Description: DINING TABLE



IMPORTANT NOTE:

- Place all wooden parts on a clean and smooth surface such as a rug or carpet to avoid the parts from being scratched.
- Check to be sure that you have all parts and hardware.
- Remove all wrapping materials, including staples & packing straps before you start to assemble.
- Do not tighten all screws/bolts until all completely assembled.
- Keep all hardware parts out of reach of children.

NO.	PARTS LIST		
	DESCRIPTION		QTY.
1	TABLE TOP		1 PC
2	TABLE LEG		4 PCS

HARDWARE LIST			
NO.	DESCRIPTION		QTY.
A	ALLEN KEY M4 X 63MM		1 PC
B	JCBC BOLT M6 X 60MM		8 PCS
C	SPRING WASHER 1/4"		8 PCS
D	FLAT WASHER 5/16"		8 PCS

STEP 1

