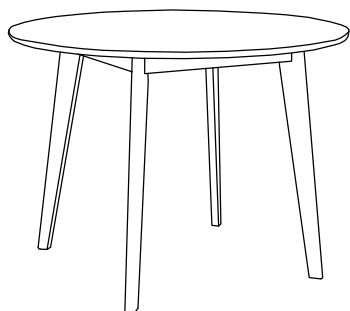


ASSEMBLY INSTRUCTION

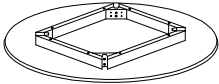

Item No: D829-13





Description: ROUND TABLE



IMPORTANT NOTE:

- Place all wooden parts on a clean and smooth surface such as a rug or carpet to avoid the parts from being scratched.
- Check to be sure that you have all parts and hardware.
- Remove all wrapping materials, including staples & packing straps before you start to assemble.
- Do not tighten all screws/bolts until all completely assembled.
- Keep all hardware parts out of reach of children.

NO.	PARTS LIST	
	DESCRIPTION	QTY.
1	TABLE TOP 	1 PC
2	TABLE LEG 	4 PCS

HARDWARE LIST		
NO.	DESCRIPTION	QTY.
A	ALLEN KEY M4 X 63MM 	1 PC
B	JCBC BOLT M6 X 60MM 	8 PCS
C	SPRING WASHER 1/4" 	8 PCS
D	FLAT WASHER 5/16" 	8 PCS

STEP 1

