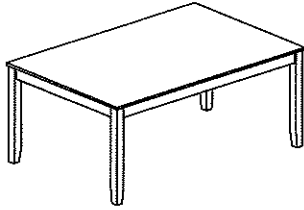


Progressive[®] furniture

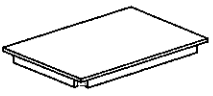
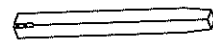
ASSEMBLY INSTRUCTIONS

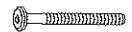



Model No : D825-95 TABLE

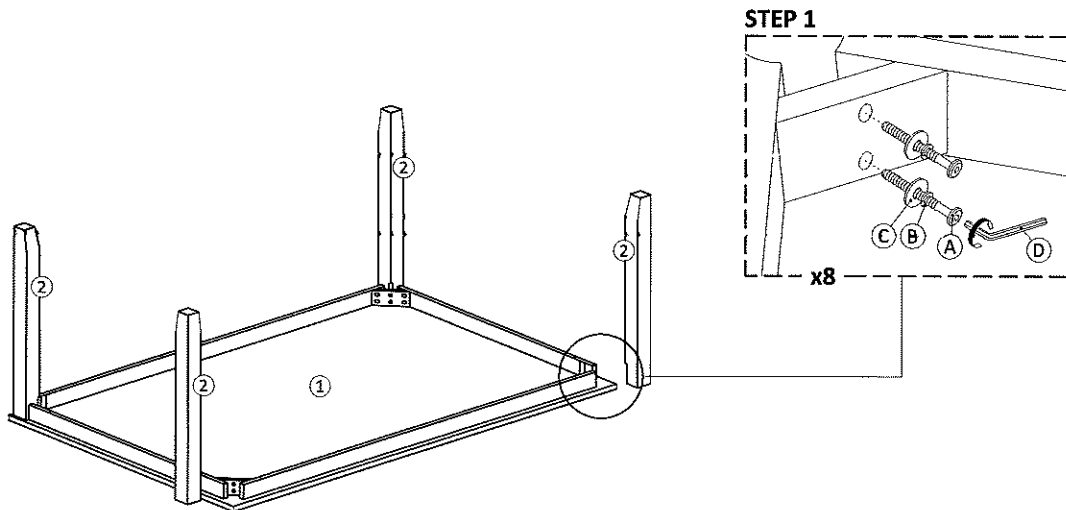


IMPORTANT NOTE:

- Place all wooden parts on a clean and smooth surface such as a rug or carpet to avoid the parts from being scratched.
- Check to be sure that you have all parts and hardware.
- Remove all wrapping materials, including staples & packing straps before you start to assemble.
- Do not tighten all screws / bolts until all completely assembled.
- Keep all hardware are parts out of reach of children.

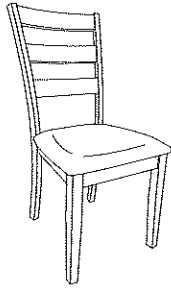
No.	Description	QTY / PCS
1	 Table Top	1
2	 Table Leg	4

HARDWARE LIST			
No.	Description	QTY / PCS	
A	 JCBB M8 x 60mm	8	
B	 Spring Washer M8 x 14mm Ø	8	
C	 Flat Washer M8 x 22mm Ø	8	
D	 Allen Key M5 x 65mm	1	



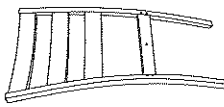


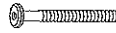
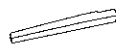
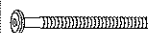



Progressive[®] furniture ASSEMBLY INSTRUCTIONS

Model No : D825-95 CHAIR

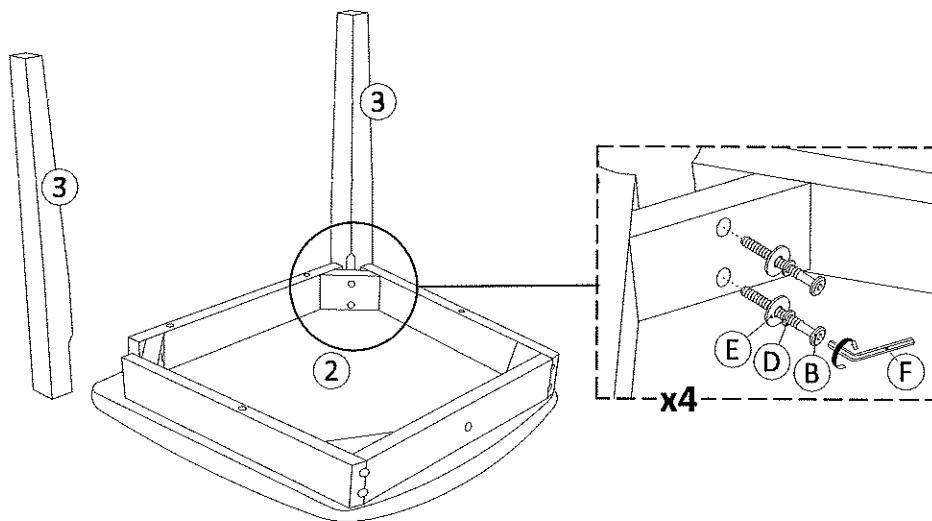


IMPORTANT NOTE:

- Place all wooden parts on a clean and smooth surface such as a rug or carpet to avoid the parts from being scratched.
- Check to be sure that you have all parts and hardware.
- Remove all wrapping materials, including staples & packing straps before you start to assemble.
- Do not tighten all screws / bolts until all completely assembled.
- Keep all hardware are parts out of reach of children.

			HARDWARE LIST		
No.	Description	QTY / PCS	No.	Description	QTY / PCS
1	 Chair Back	1	A	 JCBC M6 x 35mm	1
2	 Cushion Seat	1	B	 JCBC M6 x 60mm	4
3	 Front Leg	2	C	 JCBC M6 x 80mm	4
			D	 Spring Washer M6 x 13mm ϕ	9
			E	 Flat Washer M6 x 19mm ϕ	9
			F	 Allen Key M4 x 65mm	1

STEP 1



Progressive[®] ASSEMBLY INSTRUCTIONS

furniture Model No : D825-95 CHAIR

