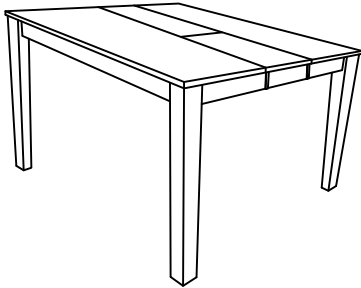


# ASSEMBLY INSTRUCTION

Item No : D811/D814-12T & 12B

Description : BUTTERFLY TABLE



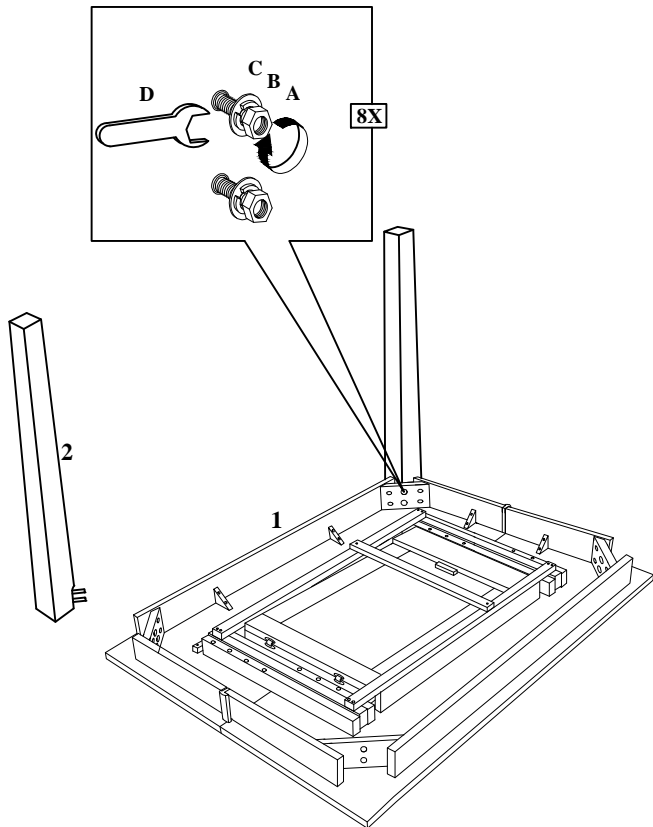
## IMPORTANT NOTE :

- Place all wooden parts on a clean and smooth surface such as a rug or carpet to avoid the parts from being scratched.
- Check to be sure that you have all parts and hardware.
- Remove all wrapping materials, including staples & packing straps before you start to assemble.
- Do not tighten all screws / bolts until all completely assembled.
- Keep all hardware parts out of reach of children.

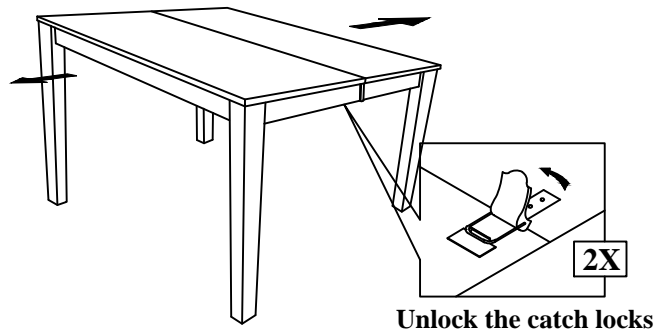
PARTS LIST		
NO	DESCRIPTION	QTY
1	TABLE TOP	1 PC
2	TABLE LEG	4 PCS

HARDWARE LIST		
NO	DESCRIPTION	QTY
A	HEXAGON NUT 5/16"	8 PCS
B	SPRING WASHER 5/16"	8 PCS
C	FLAT WASHER 5/16" X 22	8 PCS
D	WRENCH 12.8mm	1 PC

### Step : 1



### Step : 2



### Step : 3

