

Thank You for purchasing this Quality product. It has been engineered for easy assembly yet constructed for durability. Please take the time to read and follow the instructions while assembling.

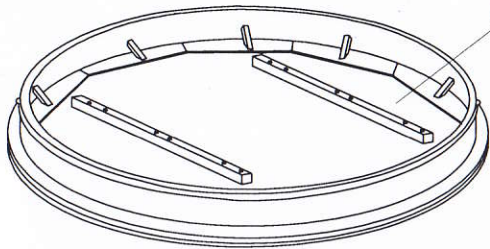
# ASSEMBLY INSTRUCTION

ROUND COUNTER TABLE

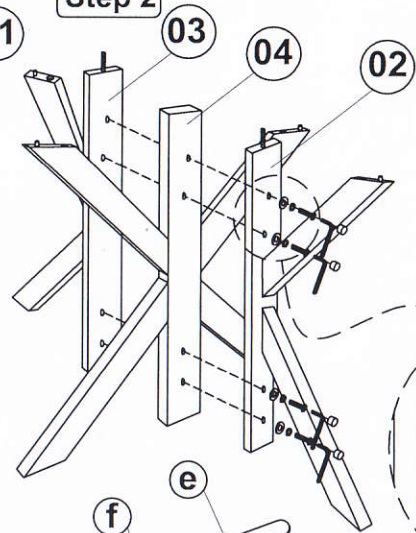
Model : D801,P808,812,820-15 T&B(PTPVT-1316-T&B)

Size : 48" x 48" x 36"H

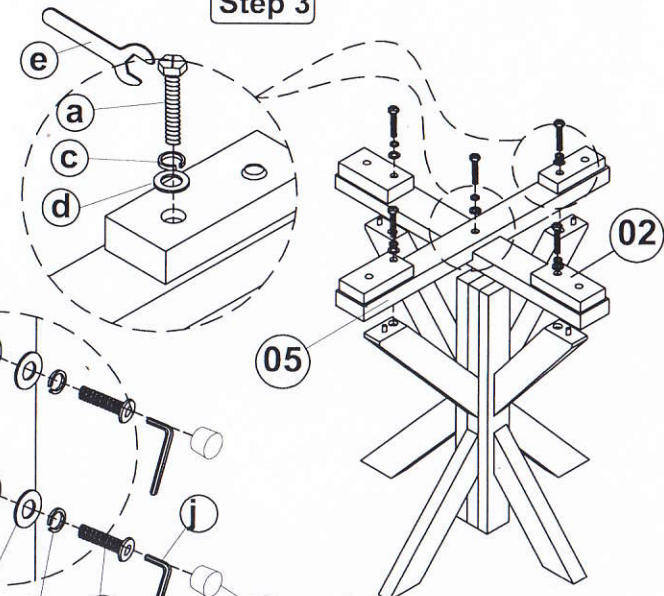
## Step 1



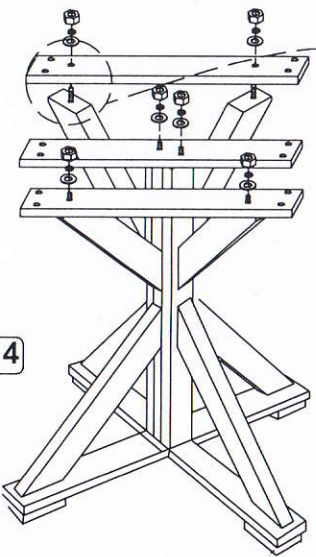
## Step 2



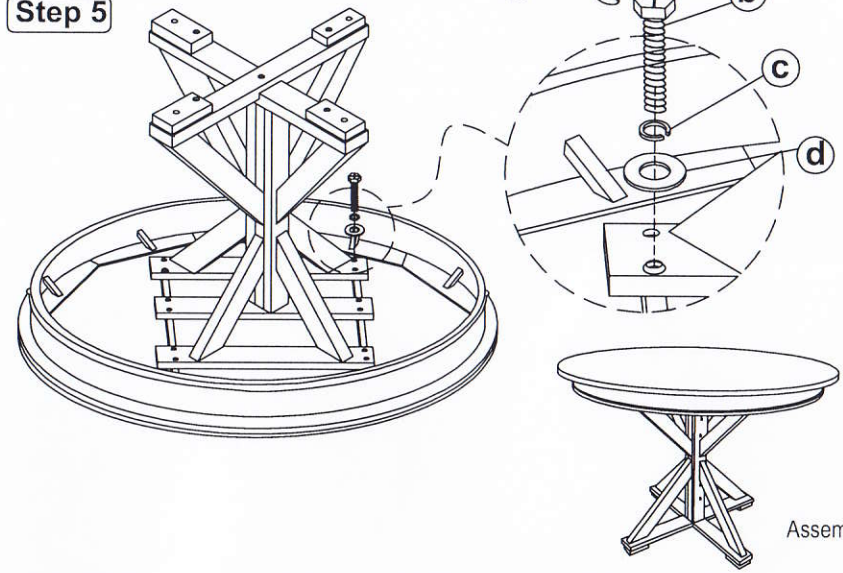
## Step 3



## Step 4



## Step 5



### List of Part For 1 Set

01		Table Top	1
02		Table Leg Right	1
03		Table Leg Left	1
04		Table Leg Center	1
05		Base Rail	2

### List of hardware

a		Hex. Com Bolt 5/16" x 2 1/2 mm	5
b		Hex. Com Bolt 5/16" x 1 1/2 mm	12
c		Spring Washer 5/16"	23
d		Flat Washer 5/16" x 22mm	23
e		Spanner 12.8mm	1
f		Hexagon Nut 5/16" x 7mm	6
g		JCBC Bolt M6 x 60mm	4
h		Spring Washer 1/4"	4
i		Flat Washer 1/4" x 13mm	4
j		Allen Key M4	1
k		Wood Button	4

### Notes

- \* Place all wooden parts on a clean and smooth surface such as a rug or carpet to avoid the parts from being scratched.
  - \* Check to be sure that you have all parts and hardware.
  - \* Remove all wrapping materials including staples & packing straps before you start to assemble.
- Care And Maintenance**
- \* The Touch of a soft cloth is all the maintenance your wood pieces will ever need.
  - \* Never use harsh chemicals or abrasive cleaner as they could mark or destroy finish.



### Important Notes

- \* Keep all hardware parts out of reach of children.
- \* Nut holding legs on the table can work loose. Check every 6-8 weeks that nuts are tight.
- \* Don't attempt to repair or modify parts that are broken or defective. Please contact the store immediately.

Assembly Completed !!!