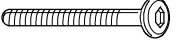








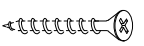


ASSEMBLY INSTRUCTIONS

ITEM NO : D732-10
DINING TABLE

Thank you for purchasing this quality product. Place all wooden parts on a clean and smooth surface as a rug or carpet to avoid the parts from being scratched. Be sure to Check all packing materials carefully for small parts may have come loose inside the carton during shipment, clarify and count all parts and compare with the part list below. Do not tighten all screws / bolts until all completely assembled.

PART LIST		
NO.	COMPONENT	QTY.
A	TABLE TOP	1 PC
B	TABLE LEG (LEFT)	2 PCS
C	TABLE LEG (RIGHT)	2 PCS
D	SHELF SUPPORT	2 PCS
E	SHELF	1 PC
F	LEG COVER	4 PCS

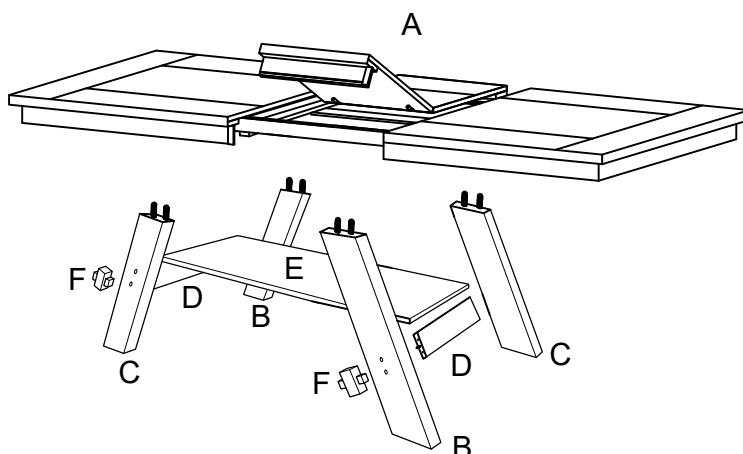
HARDWARE LIST		
NO.	COMPONENT	QTY.
1	JCBC SCREW M6 X 60MM 	8 PCS
2	SPRING WASHER 1/4" 	8 PCS
3	HEX NUT 5/16" 	8 PCS
4	SPRING WASHER 5/16" 	8 PCS
5	FLAT WASHER 5/16" 	8 PCS
6	M4 ALLEN KEY (LONG) 	1 PC
7	SPANNER 	1 PC
8	WOOD DOWEL Ø10 X 30MM 	4 PCS
9	WOOD DOWEL Ø12 X 40MM 	4 PCS
10	CSK SCREW M4 X 32MM 	4 PCS

NOTE: YOU WILL ALSO NEED A SCREWDRIVER (NOT PROVIDED)

These parts are cumbersome and heavy. Therefore, Two People are recommended in order to prevent personal injury and insure the parts are not damaged during the assembly.

Important Notes

- * Keep all hardware parts out of reach of children !
- * Tighten screws periodically ! With the use of this product bolts and screws may become loose over time
- * Don't attempt to modify parts !



Cleaning instruction : Clean using soft cloth

Made in Malaysia

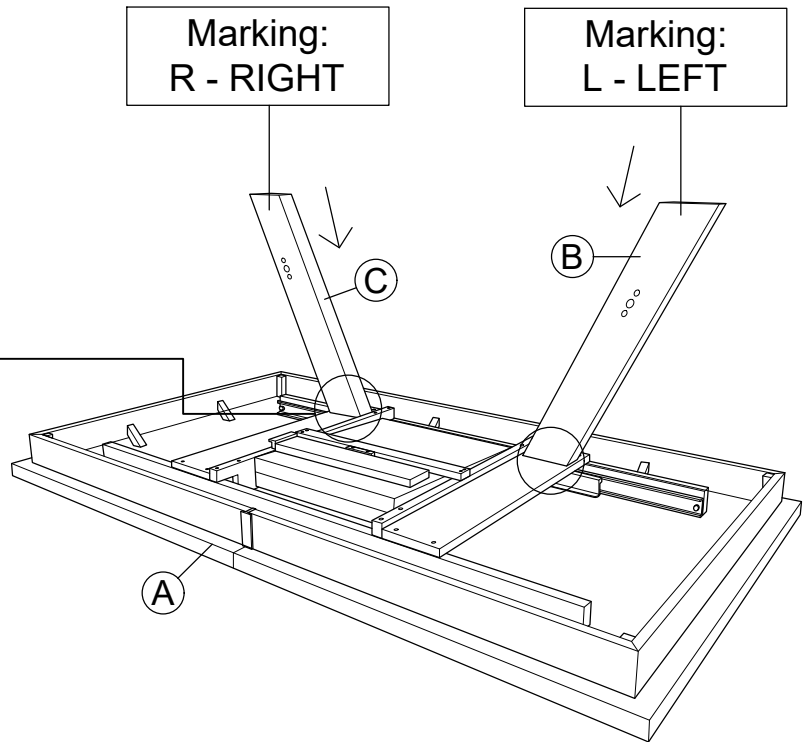
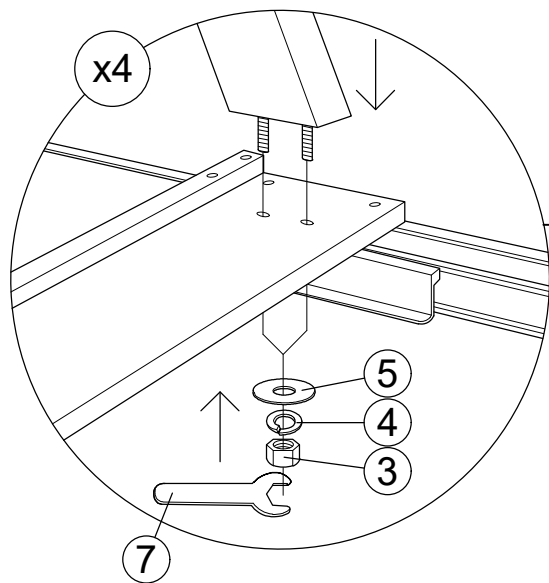
ASSEMBLY INSTRUCTIONS

ITEM NO : D732-10

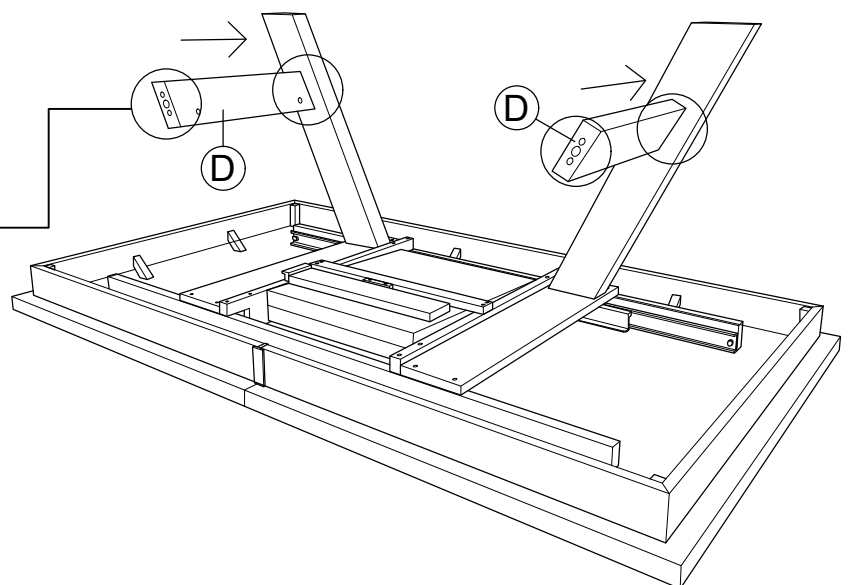
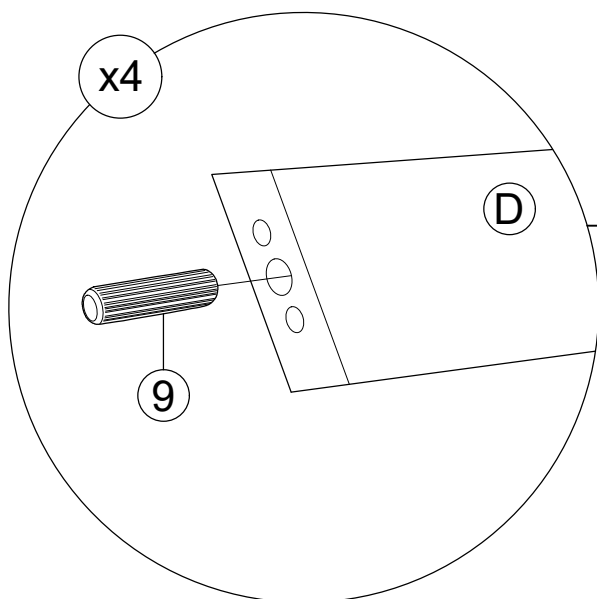
DINING TABLE

Thank you for purchasing this quality product. Place all wooden parts on a clean and smooth surface as a rug or carpet to avoid the parts from being scratched. Be sure to Check all packing materials carefully for small parts may have come loose inside the carton during shipment, clarify and count all parts and compare with the part list below. Do not tighten all screws / bolts until all completely assembled.

STEP 1



STEP 2



Cleaning instruction : Clean using soft cloth

Made in Malaysia

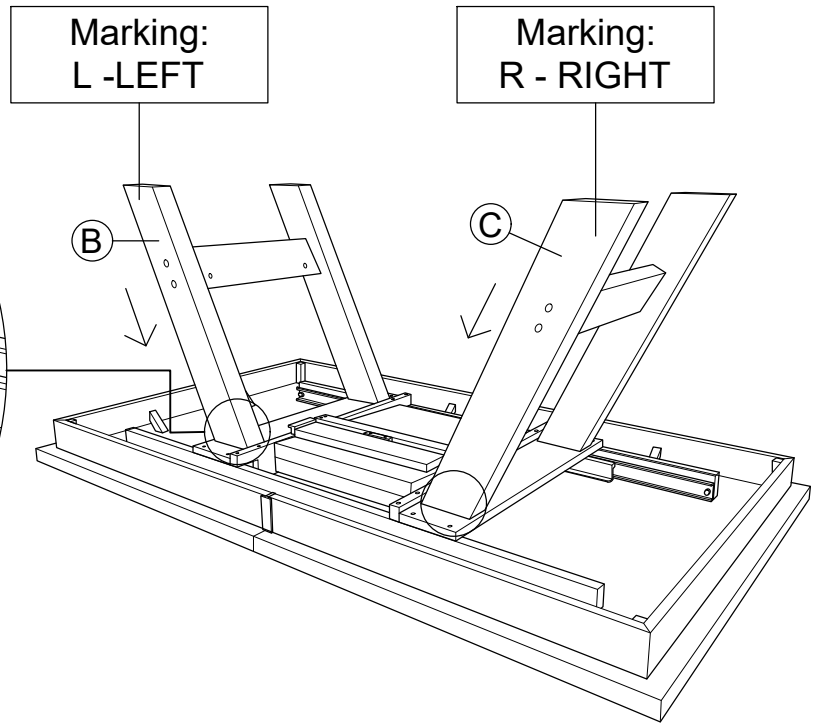
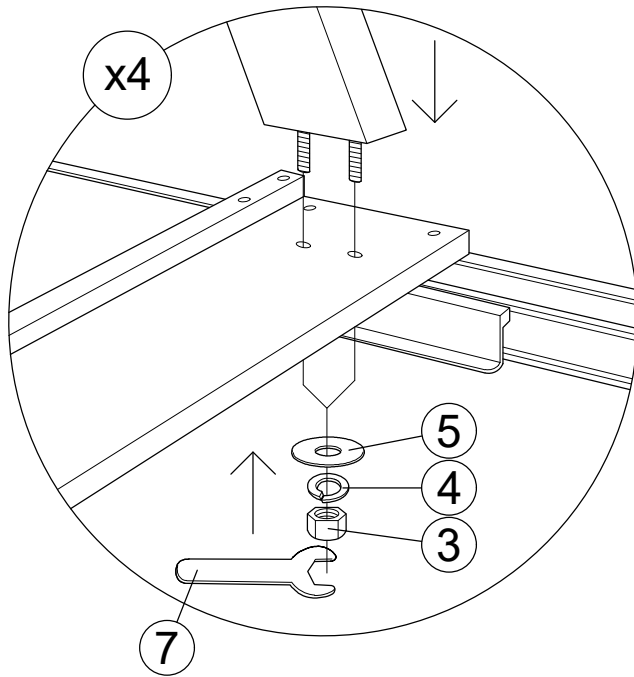
ASSEMBLY INSTRUCTIONS

ITEM NO : D732-10

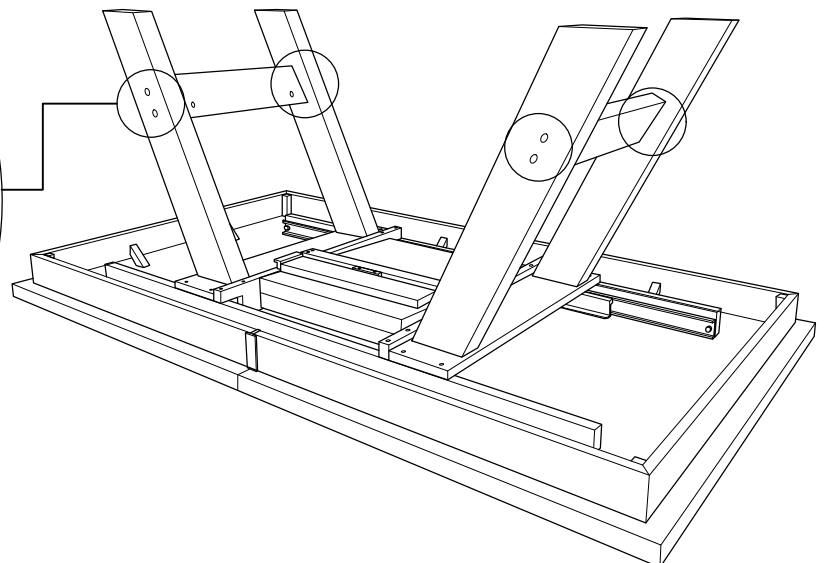
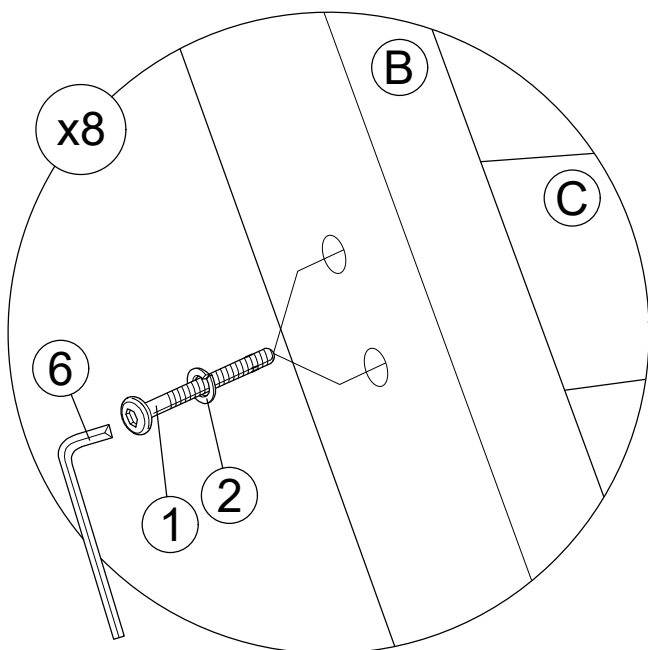
DINING TABLE

Thank you for purchasing this quality product. Place all wooden parts on a clean and smooth surface as a rug or carpet to avoid the parts from being scratched. Be sure to Check all packing materials carefully for small parts may have come loose inside the carton during shipment, clarify and count all parts and compare with the part list below. Do not tighten all screws / bolts until all completely assembled.

STEP 3



STEP 4



Cleaning instruction : Clean using soft cloth

Made in Malaysia

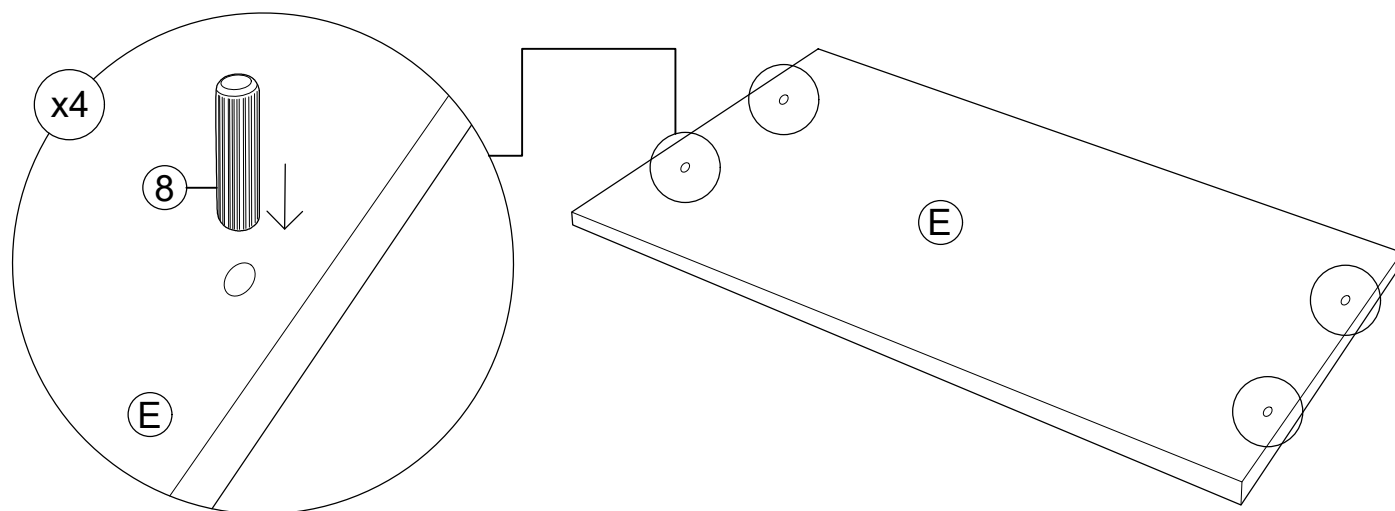
ASSEMBLY INSTRUCTIONS

ITEM NO : D732-10

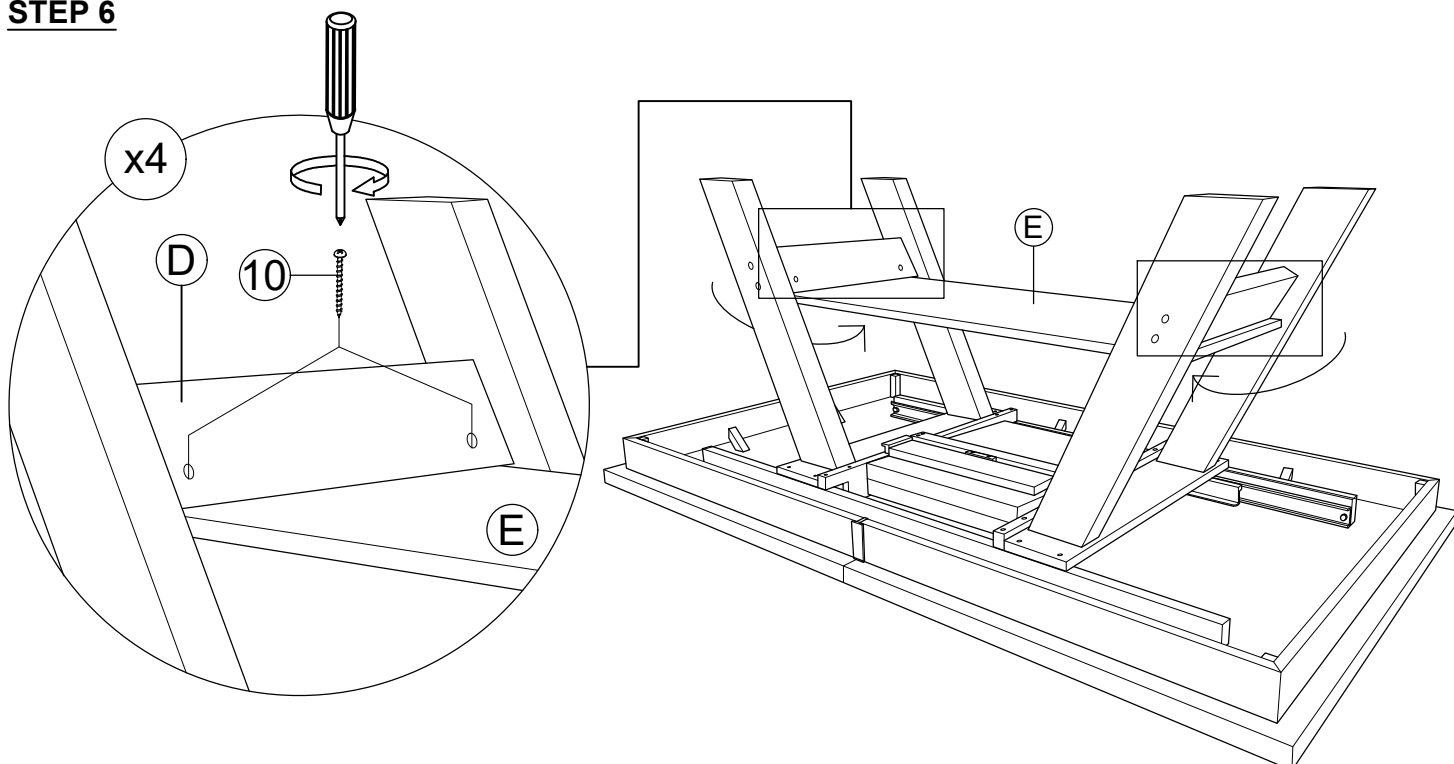
DINING TABLE

Thank you for purchasing this quality product. Place all wooden parts on a clean and smooth surface as a rug or carpet to avoid the parts from being scratched. Be sure to Check all packing materials carefully for small parts may have come loose inside the carton during shipment, clarify and count all parts and compare with the part list below. Do not tighten all screws / bolts until all completely assembled.

STEP 5



STEP 6



Cleaning instruction : Clean using soft cloth

Made in Malaysia

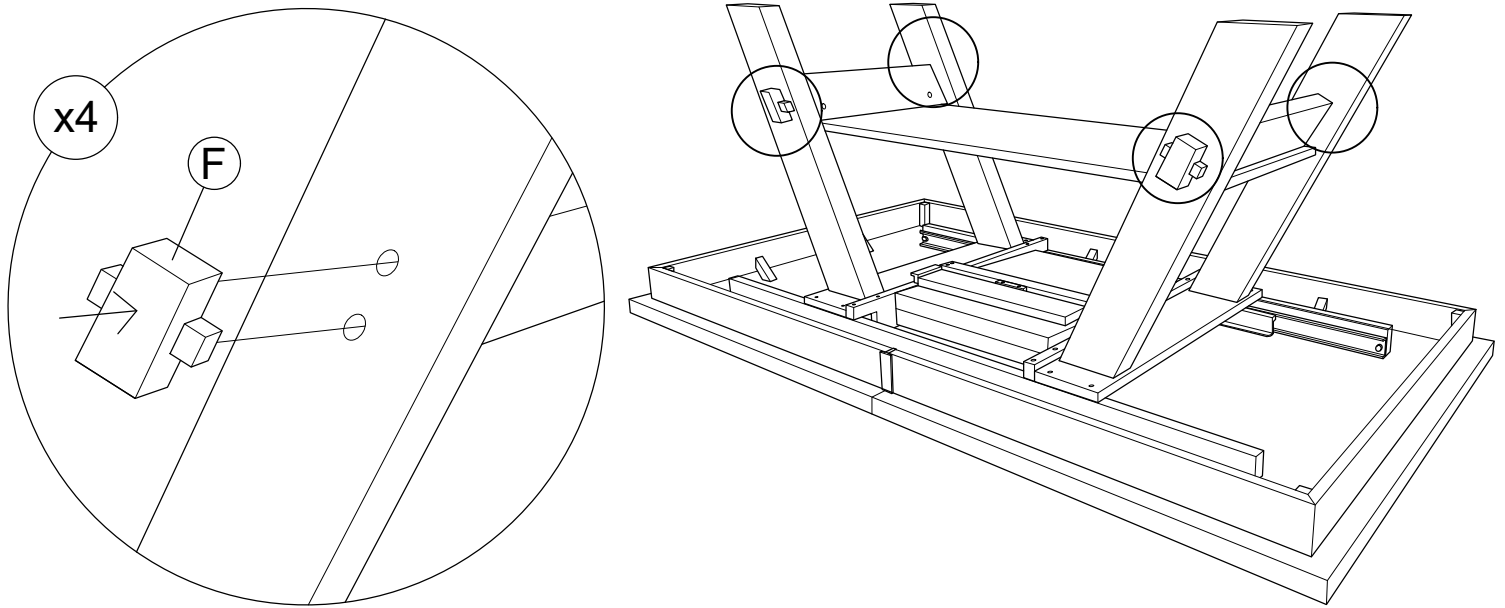
ASSEMBLY INSTRUCTIONS

ITEM NO : D732-10

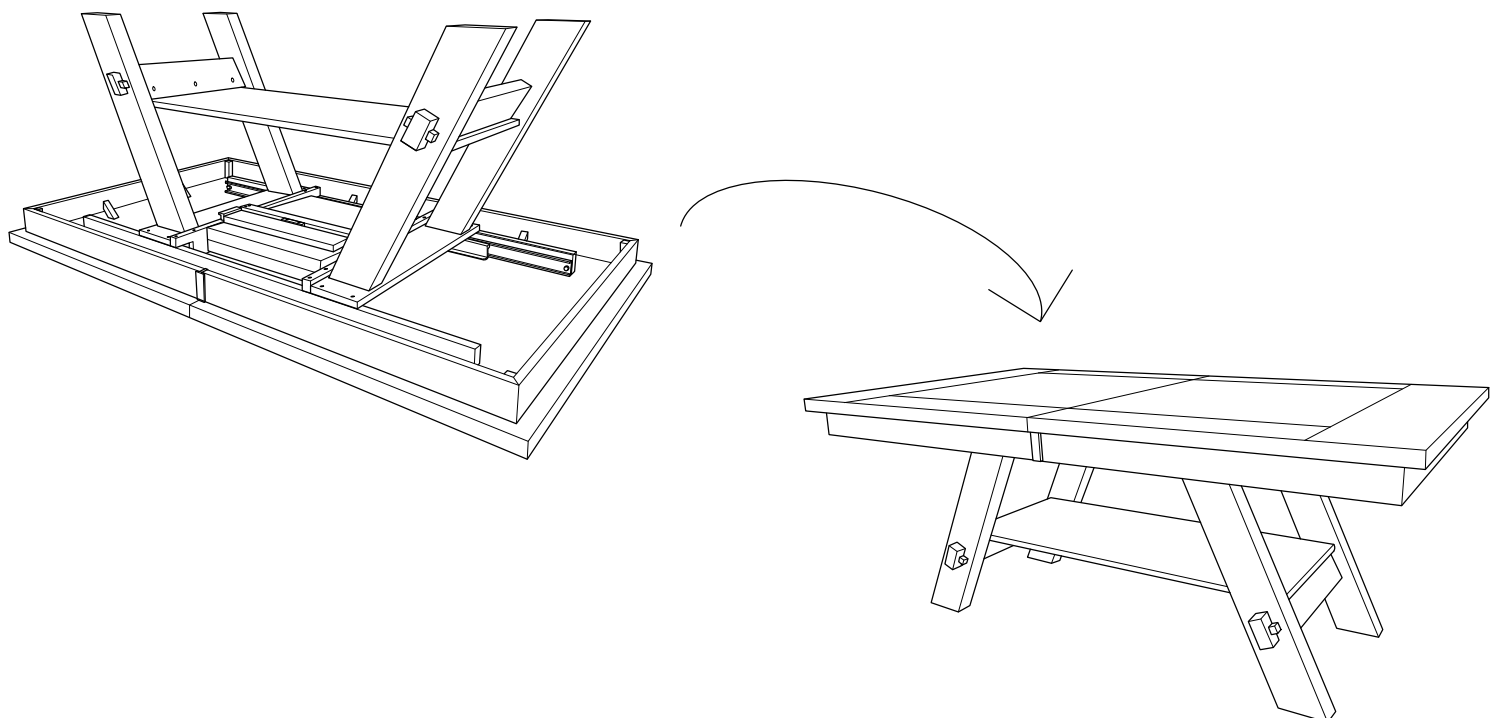
DINING TABLE

Thank you for purchasing this quality product. Place all wooden parts on a clean and smooth surface as a rug or carpet to avoid the parts from being scratched. Be sure to Check all packing materials carefully for small parts may have come loose inside the carton during shipment, clarify and count all parts and compare with the part list below. Do not tighten all screws / bolts until all completely assembled.

STEP 7



STEP 8



Cleaning instruction : Clean using soft cloth

Made in Malaysia

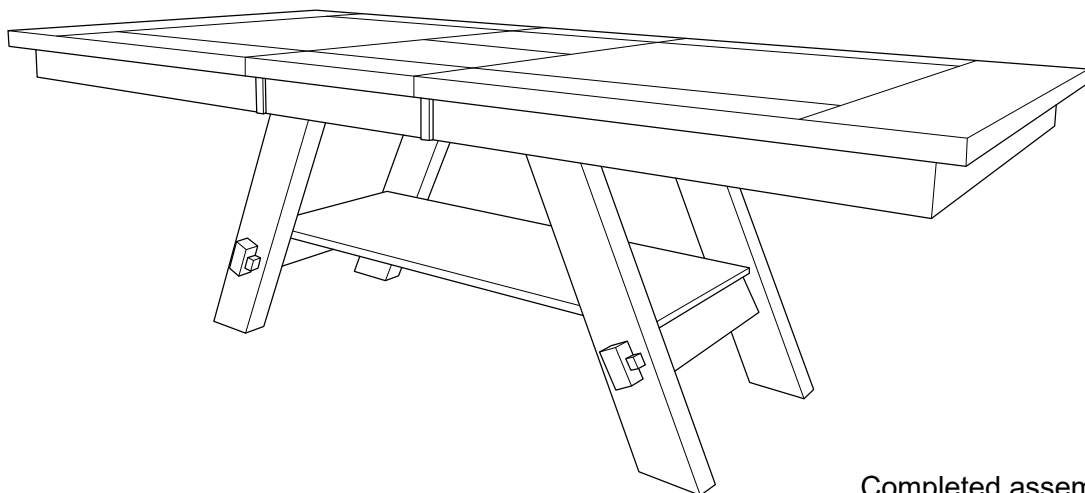
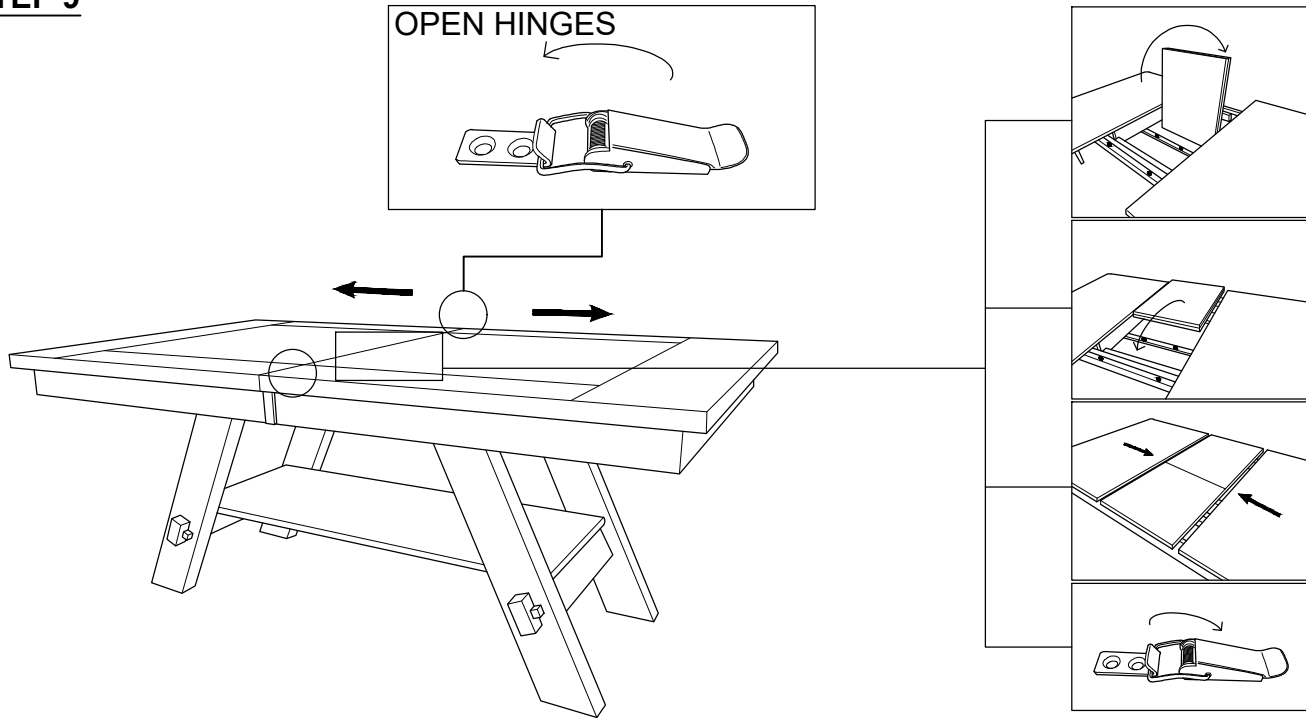
ASSEMBLY INSTRUCTIONS

ITEM NO : D732-10

DINING TABLE

Thank you for purchasing this quality product. Place all wooden parts on a clean and smooth surface as a rug or carpet to avoid the parts from being scratched. Be sure to Check all packing materials carefully for small parts may have come loose inside the carton during shipment, clarify and count all parts and compare with the part list below. Do not tighten all screws / bolts until all completely assembled.

STEP 9



Completed assembly

Cleaning instruction : Clean using soft cloth

Made in Malaysia