
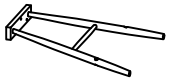
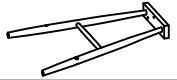
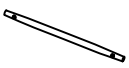


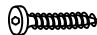







ASSEMBLY INSTRUCTIONS

ITEM NO: D224-62W
Dining Chair

Thank you for purchasing this quality product. Place all wooden parts on a clean and smooth surface such as a rug or carpet to avoid the parts from being scratched. Be sure to check all packing materials carefully for small parts may have come loose inside the carton during shipment, clarify and count all parts and compare with the parts list below. Do not tighten all screws / bolts until all completely assembled.

Part List		
No.	Description	Q.ty
A	SEAT & BACK 	1PC
B	LEG - LEFT 	1PC
C	LEG - RIGHT 	1PC
D	LOWER SUPPORT RAIL 	2 PCS

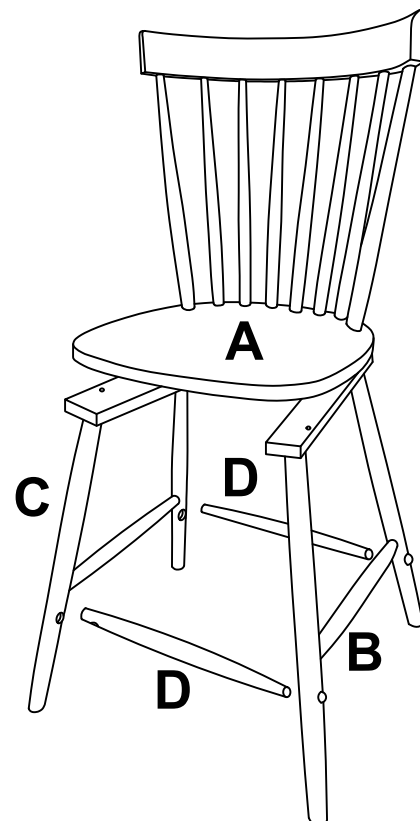
Hardware List				
No.	Description	Sketch	Size	Q.ty
1	ALLEY KEY		M4 x 60mm	1PC
2	JCBC BOLT		M6 x 50mm	4 PCS
3	JCBC W BOLT		M6 x 40mm	6 PCS
4	SPRING WASHER		M6 x 13mm	6 PCS
5	FLAT WASHER		M6 x 19mm	6 PCS
6	BARREL NUT		M6 x 13mm	4 PCS
7	WOOD BUTTON		14.5mm	4 PCS
8	FELT		M3 x 21mm	4 PCS

NOTE : YOU WILL ALSO NEED A SCREWDRIVER (NOT PROVIDED)

These parts are cumbersome and heavy. Therefore, two people are recommended in order to prevent personal injury and insure the parts are not damaged during the assembly.

△ Important Notes

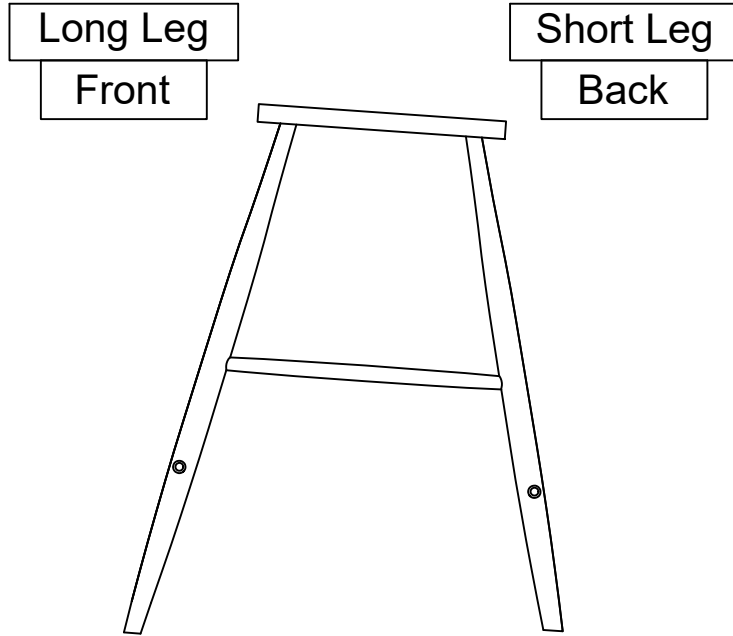
- *Keep all hardware parts out of reach of children!
- *Tighten screws periodically! With the use of this product bolts and screw may become loose over time
- *Don't attempt to modify parts!



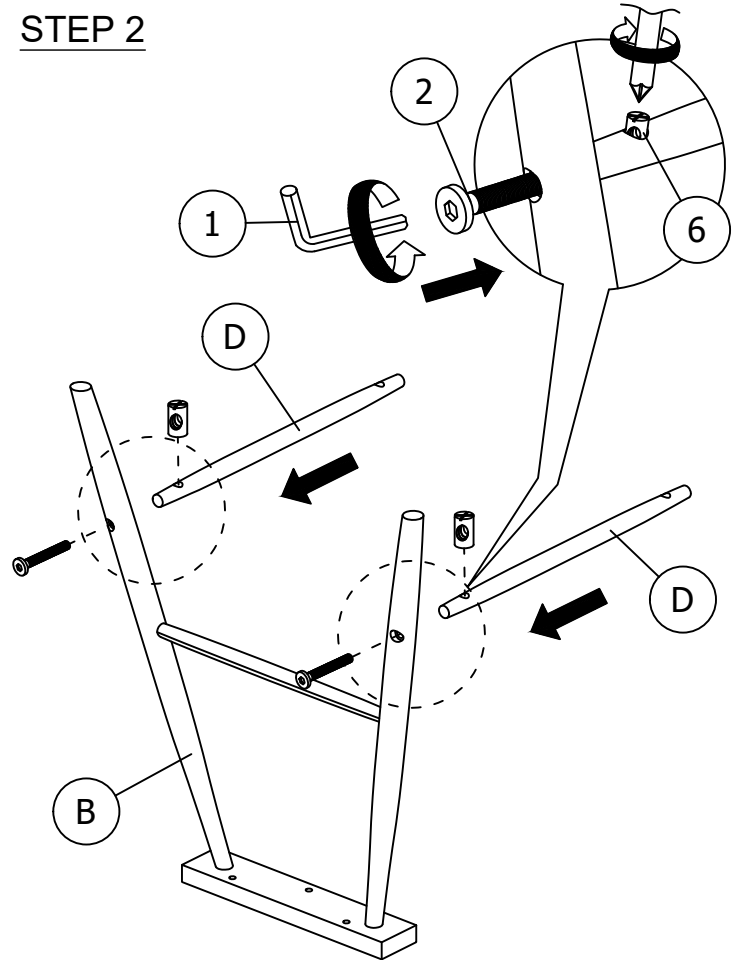
ASSEMBLY INSTRUCTIONS

ITEM NO: D224-62W
Dining Chair

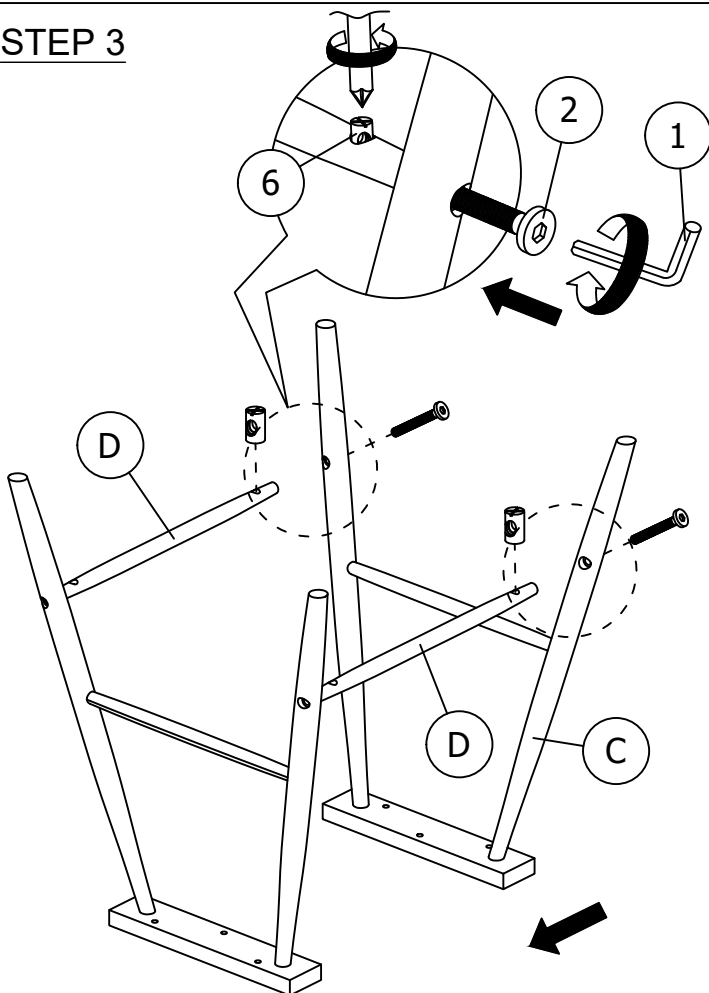
STEP 1



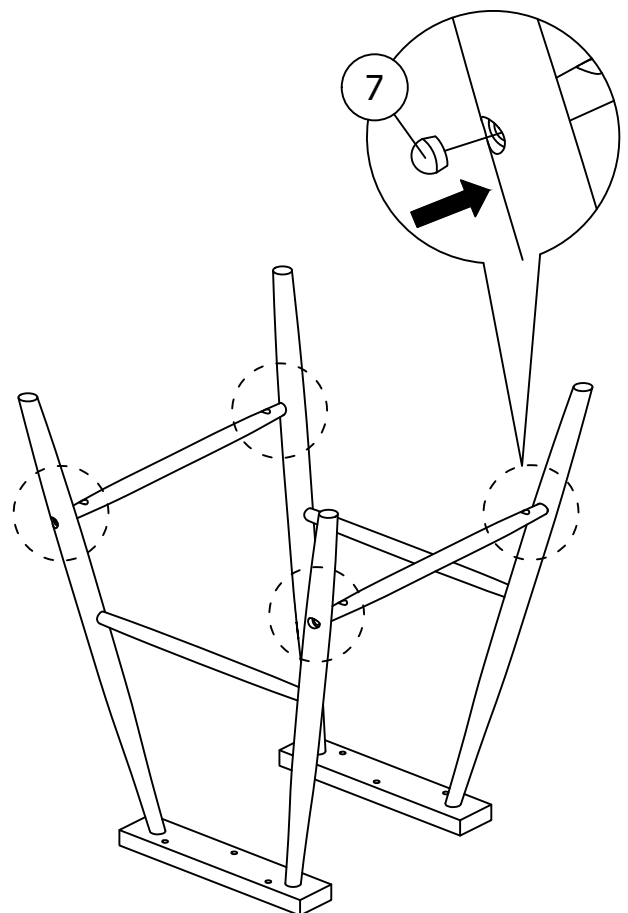
STEP 2



STEP 3



STEP 4



Cleaning instruction: Clean using soft cloth

Made in Malaysia

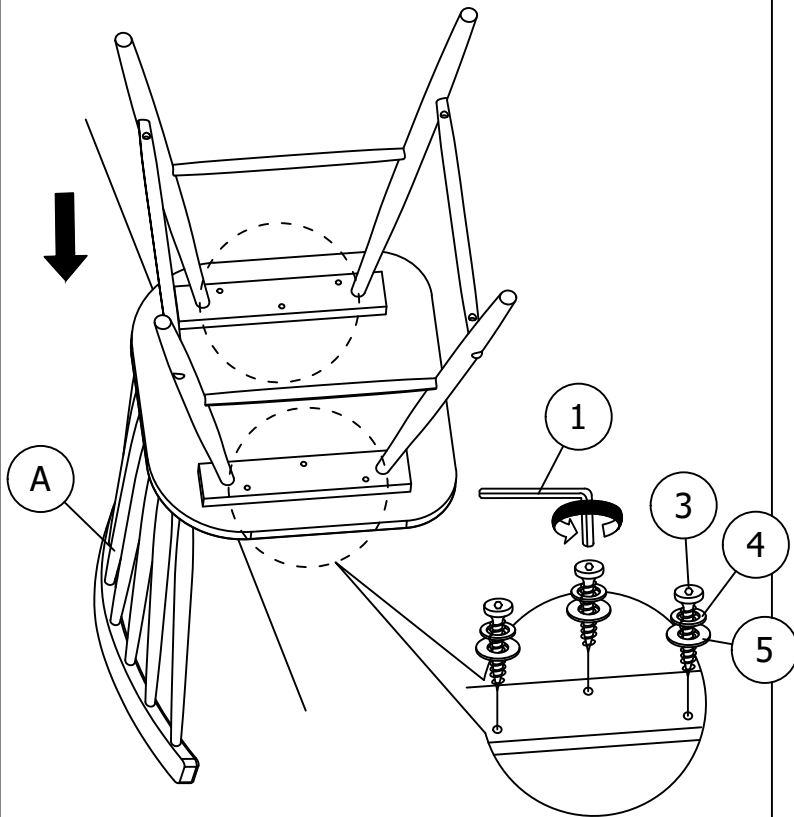
ASSEMBLY INSTRUCTIONS

ITEM NO: D224-62W
Dining Chair

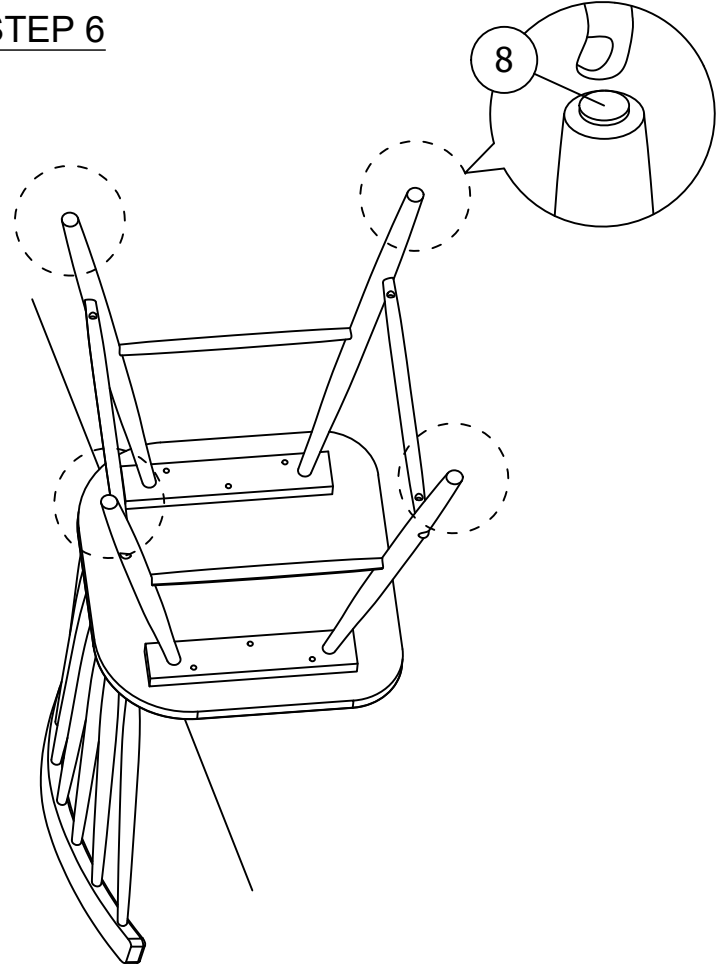
STEP 5

Short

Long



STEP 6



STEP 7

