
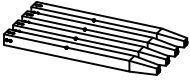

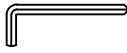






# ASSEMBLY INSTRUCTIONS

ITEM NO: D224-12  
Dining Table

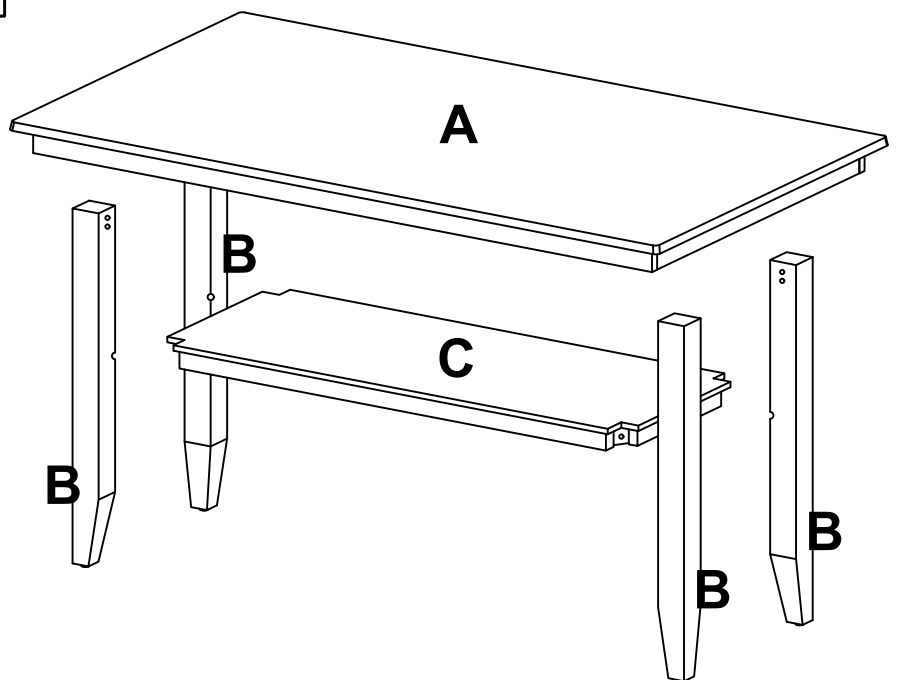
Thank you for purchasing this quality product. Place all wooden parts on a clean and smooth surface such as a rug or carpet to avoid the parts from being scratched. Be sure to check all packing materials carefully for small parts may have come loose inside the carton during shipment, clarify and count all parts and compare with the parts list below. Do not tighten all screws / bolts until all completely assembled.

Part List		
No.	Description	Q.ty
A	TABLE TOP 	1PC
B	TABLE LEG 	4 PCS
C	SHELF PANEL 	1PC

Hardware List				
No.	Description	Sketch	Size	Q.ty
1	ALLEY KEY 		M4 x 60mm	1PC
2	JCBC BOLT 		M6 x 70mm	4 PCS
3	JCBC BOLT 		M6 x 40mm	16 PCS
4	SPRING WASHER 		M6 x 13mm	20 PCS
5	FLAT WASHER 		M6 x 16mm	20 PCS

These parts are cumbersome and heavy. Therefore, two people are recommended in order to prevent personal injury and insure the parts are not damaged during the assembly.

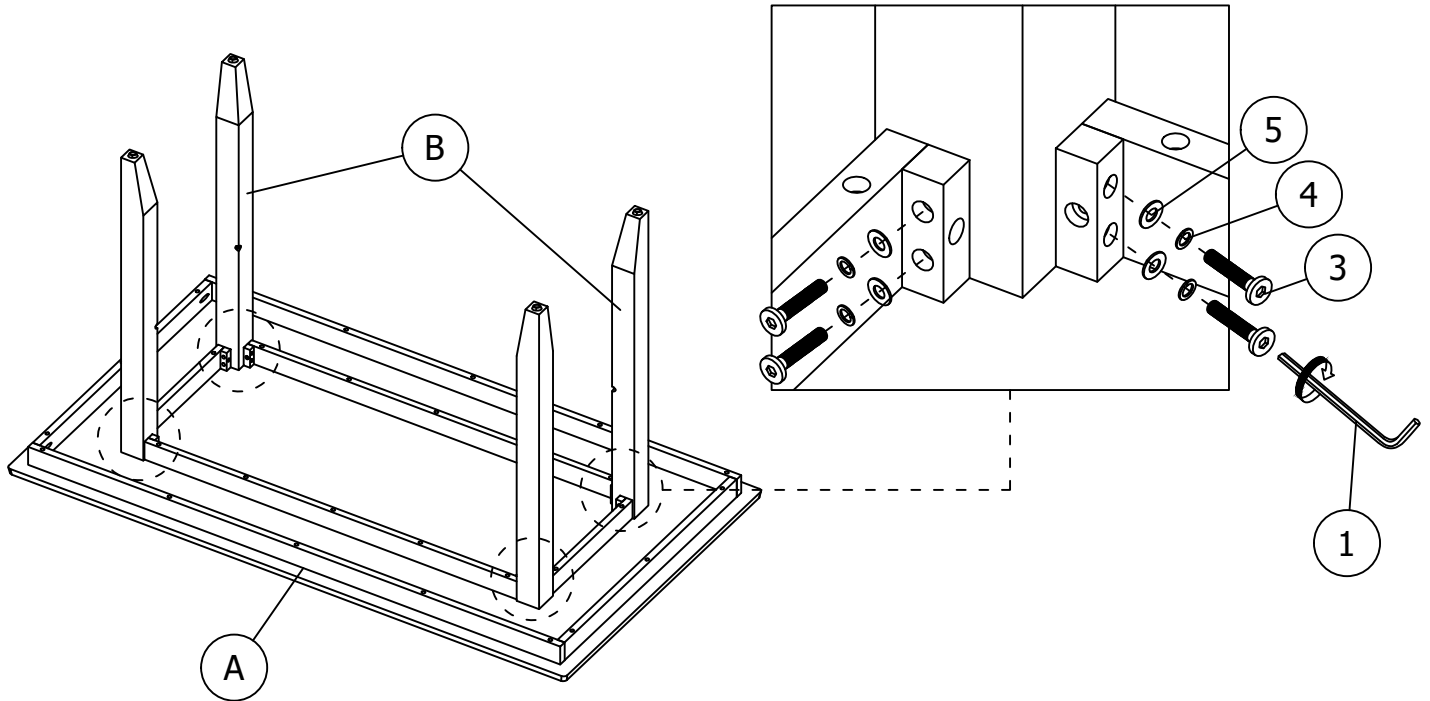
**△ Important Notes**  
 \*Keep all hardware parts out of reach of children!  
 \*Tighten screws periodically! With the use of this product bolts and screw may become loose over time  
 \*Don't attempt to modify parts!



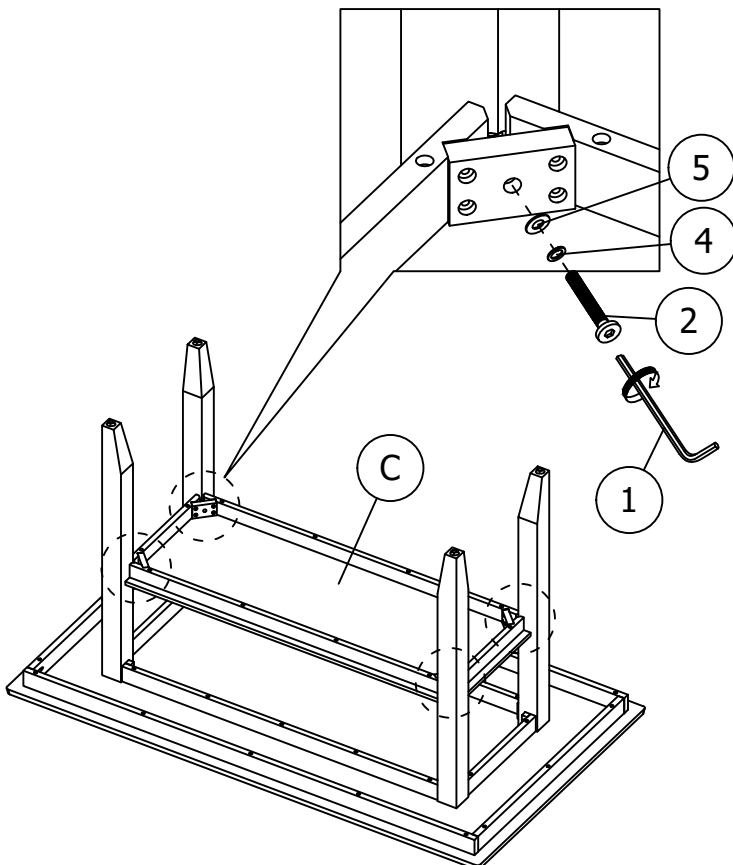
# ASSEMBLY INSTRUCTIONS

ITEM NO: D224-12  
Dining Table

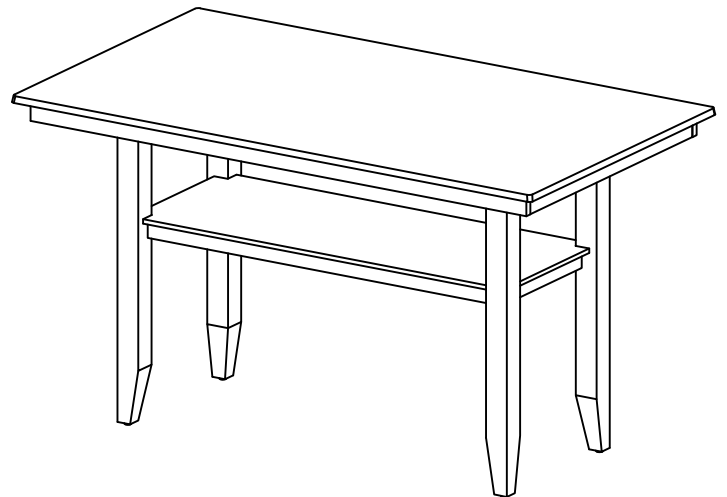
## STEP 1



## STEP 2



## STEP 3



Cleaning instruction: Clean using soft cloth

Made in Malaysia