







MODEL : B117-94 + B117-78 + B117-95

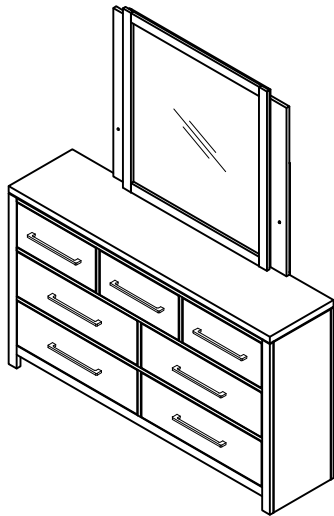
REVISION : A

Component List

No	Descriptions	Qty
A	Mirror	1
B	Dresser	1
C	Mirror Support	2

Hardware List

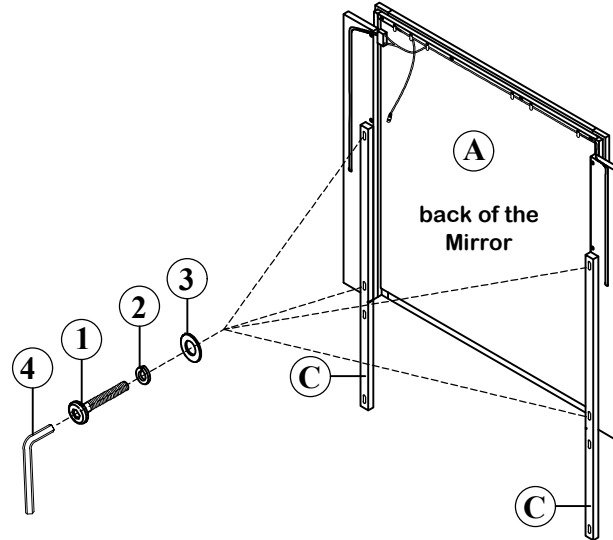
No	Descriptions	Qty
1	JCBC M6 x 35mm 	8
2	Spring Washer Ø1/4" 	8
3	Flat Washer Ø1/4" x 20mm 	8
4	L Key M4 	1
5	DC Adapter 	1
6	Touch Lighting Unit (attach on mirror) 	1



ASSEMBLY COMPLETED

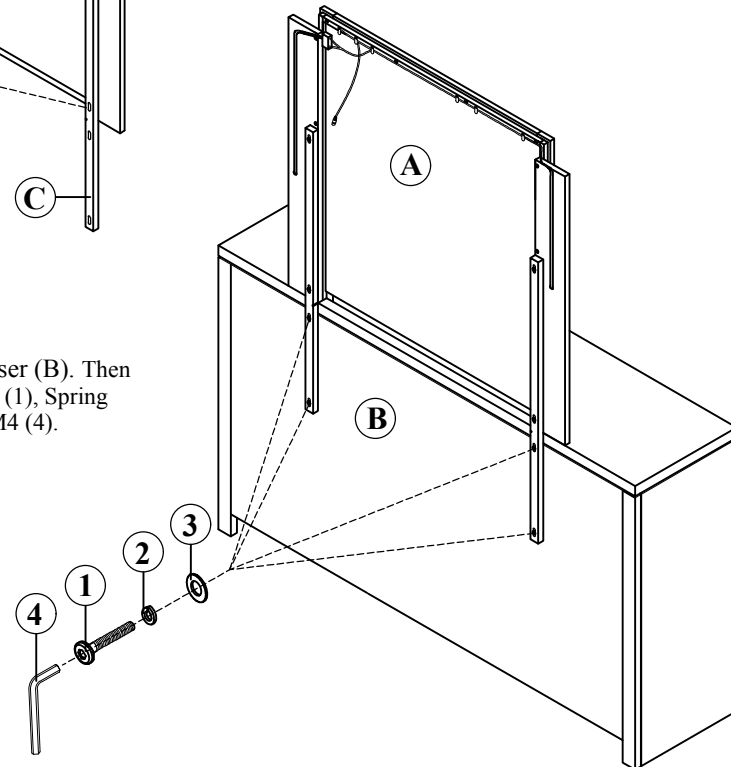
STEP 1

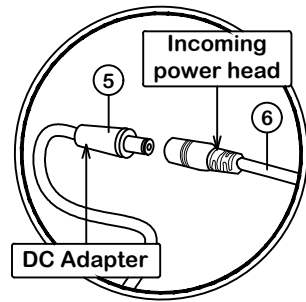
Attach Mirror Support (C) to the Mirror back (A), then tighten with JCBC screw (1), Spring Washer (2) and Flat Washer (3) and fully tighten with L Key M4 (4).



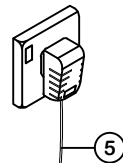
STEP 2

Place the mirror with support on the top of Dresser (B). Then align center as shown and tighten with JCBC screw (1), Spring Washer (2), Flat Washer (3). Tighten using L Key M4 (4).





SOFT TOUCH LED
Caution ! : Please do not touch
the button with wet hand.



NOTE: Please connect the sensor box with DC adapter before the power supply is turn on.
NOTE: The light on the mirror has three levels of lighting. Every time the button is touched, it becomes brighter.