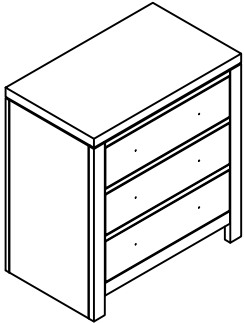


MODEL : B117-14 / B117-43

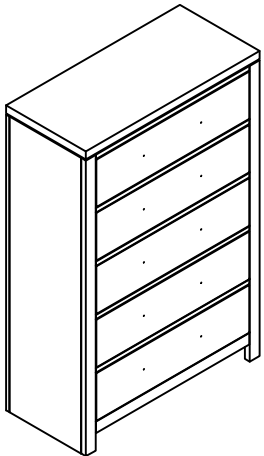
REVISION : A

Parts & Hardware

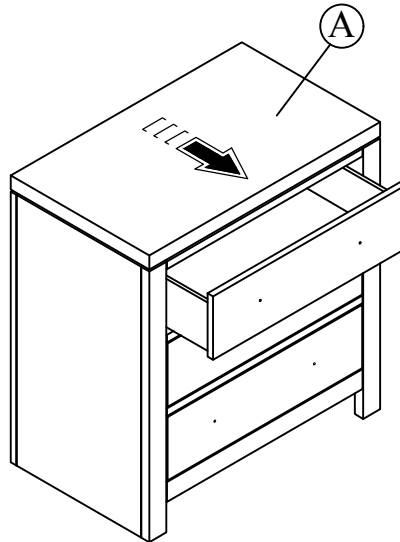
No	Descriptions	Qty
A	Night Stand	1



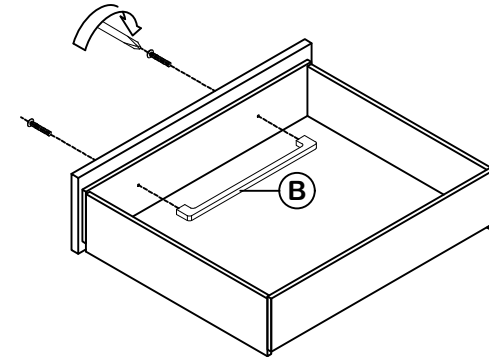
A	Chest	1
---	-------	---



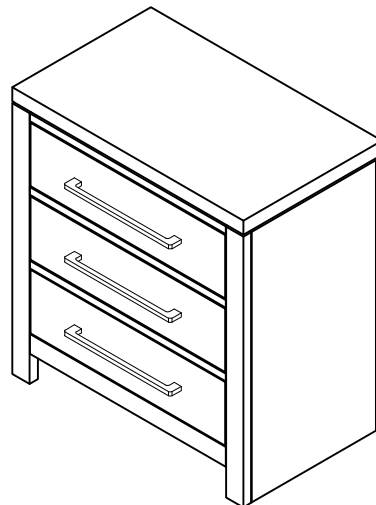
STEP 1: Pull out the **Drawer** of casegoods.



STEP 2: Use Screwdriver to remove the screws & handle.



STEP 4: Repeat the step 1 - 3 for the other drawers.



STEP 3: Position the handle in front of drawer panel and screw it tightly with the same screw.

