

ASSEMBLY INSTRUCTIONS

Item No : B117-34 + B117-78 + B117-35
Description : 5/0 QUEEN HEADBOARD +
5/0 - 6/6 RAILS + 5/0 QUEEN
UPH BENCH FTBD W/SLAT

MODEL : B117-34 + B117-78 + B117-35

REVISION : A

ASSEMBLY TIPS :

1. Remove hardware from box and sort by size.
2. Please check to see that all hardware and parts are present prior to start of assembly.
3. Please follow attached instructions in the same sequence as numbered to assure fast and easy assembly.

Component List

Box Of Headboard

No	Descriptions	Qty
A	Headboard Set	1

Box Of Footboard









No	Descriptions	Qty
B	Footboard	1
C	Bench Bottom Shelf	1
D	Bench Cushion Top	1
E	Bench Vertical Panel	1
F	Bench Front Leg	2
G	Bench Support	1
H	Bed Slat	4
I	Slat Support	4

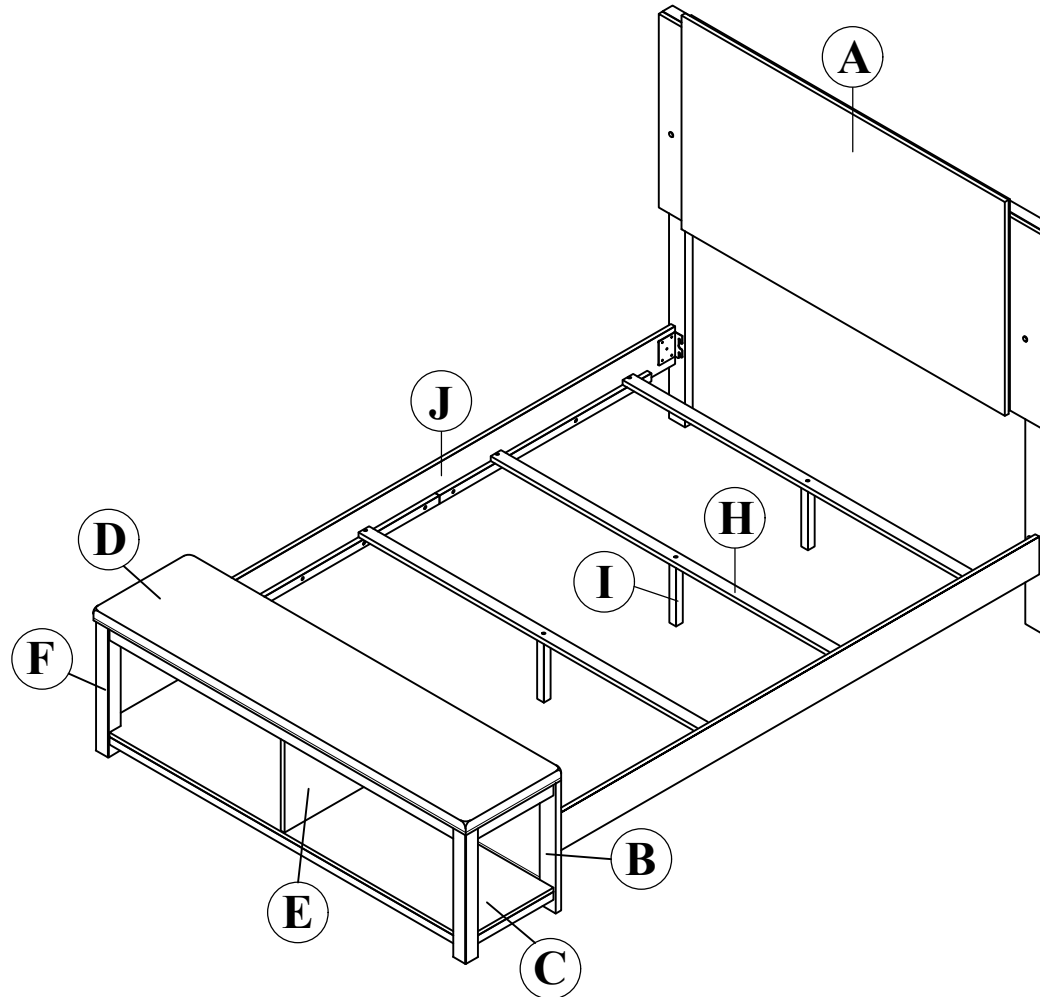
Box Of Side Rail

No	Descriptions	Qty
J	Side Rail	2

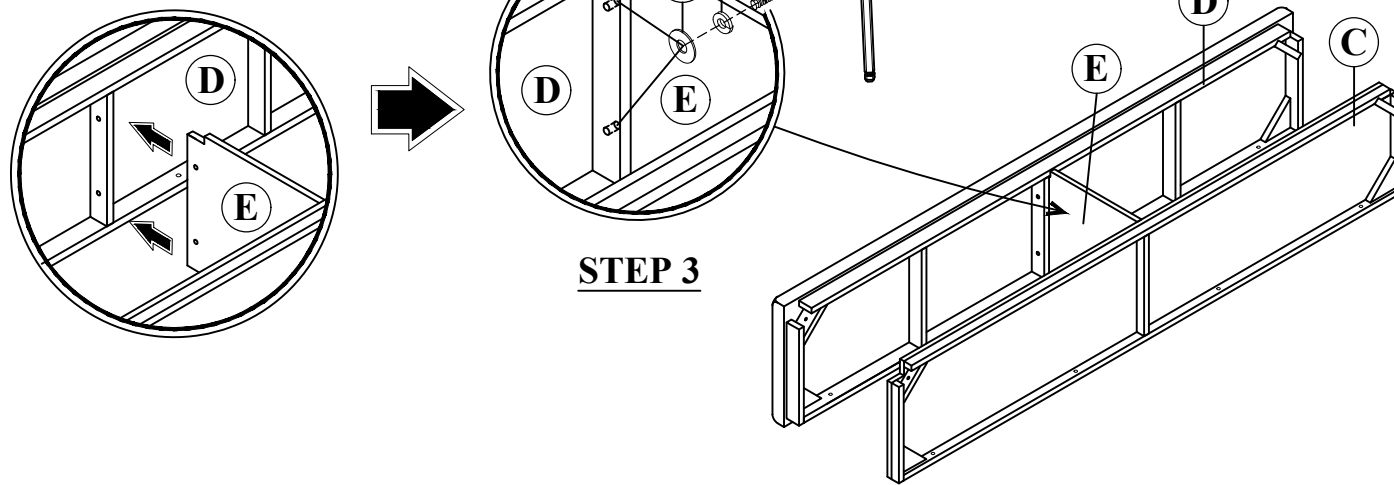
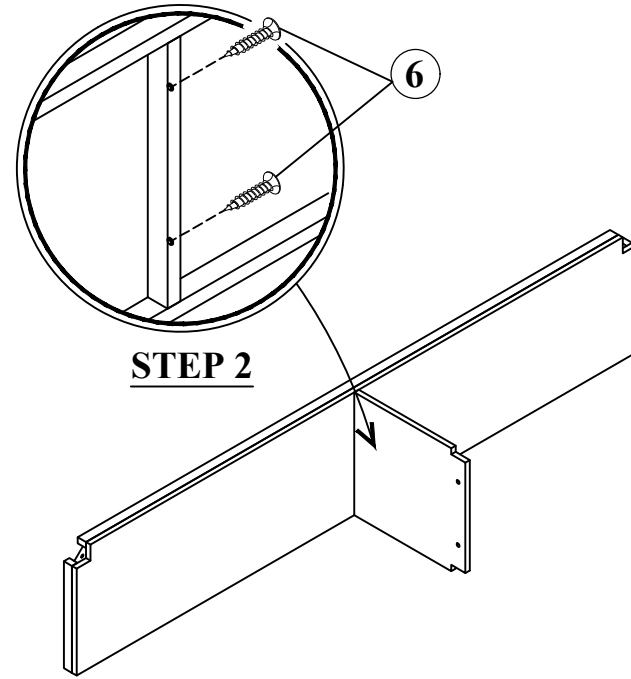
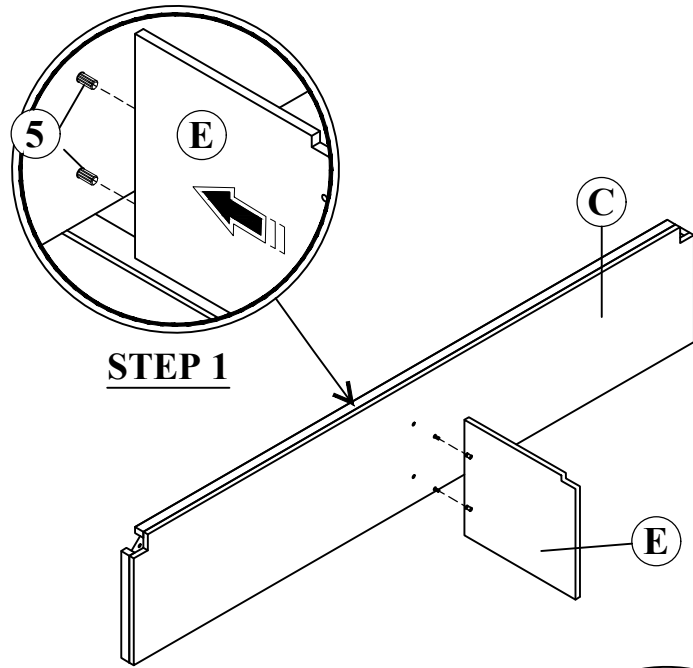
Box Of Footboard

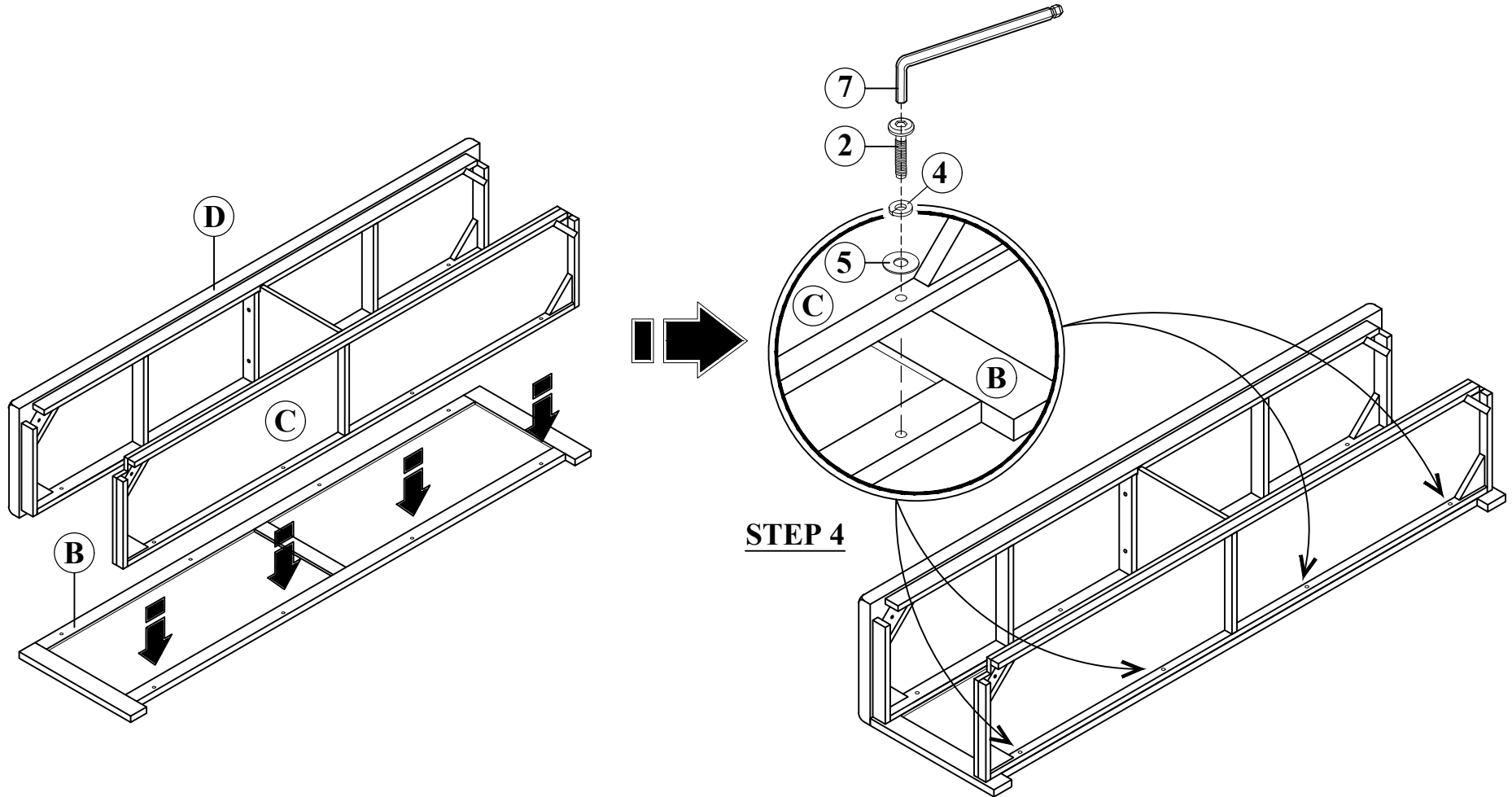
Hardware List

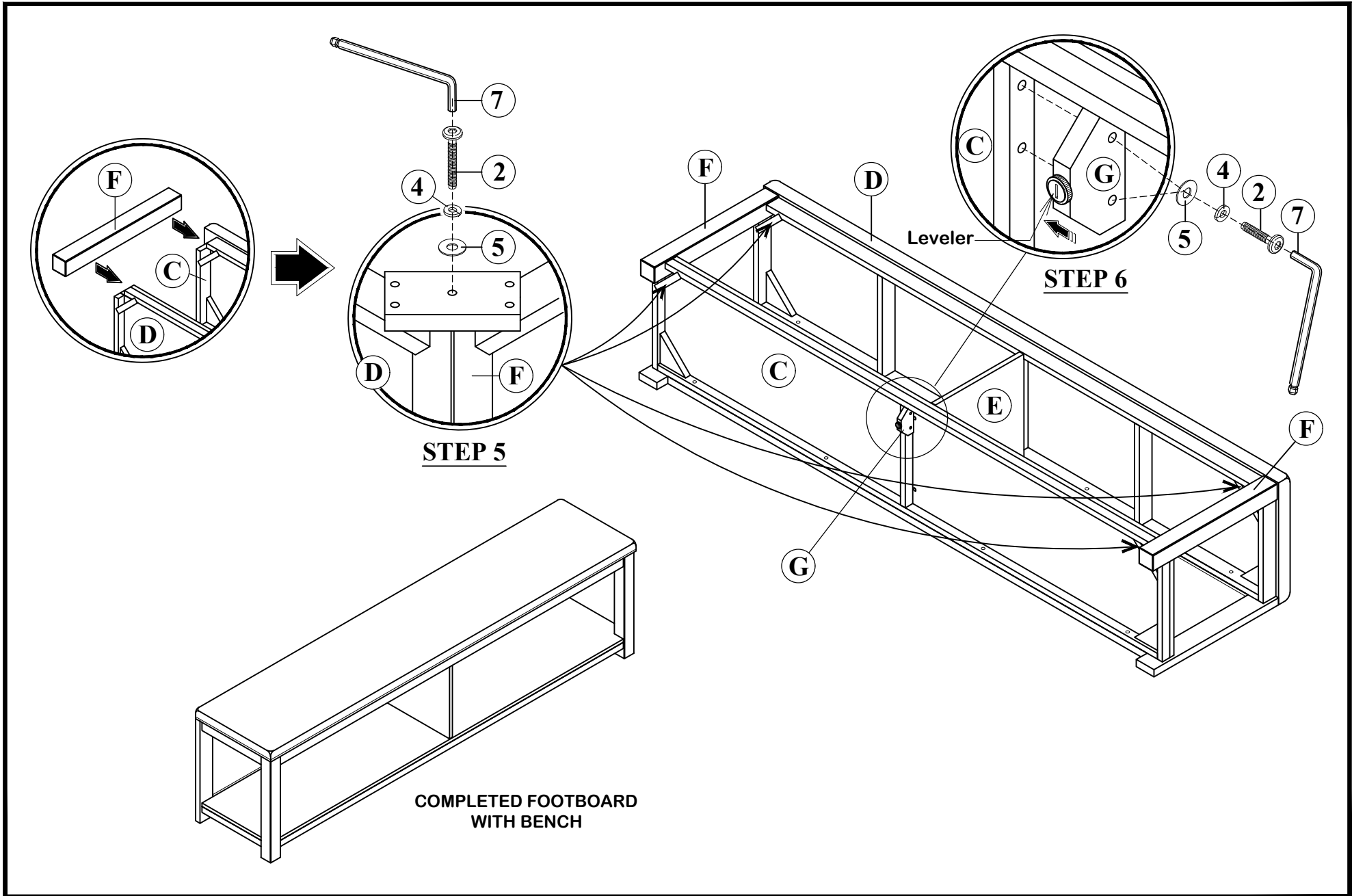
No	Descriptions	Qty
1	JCBC Screw M6 x 35mm 	12
2	JCBC Screw M6 x 50mm 	4
3	Spring Washer Ø 1/4" 	16
4	Flat Washer Ø 1/4" x 20mm 	16
5	Wood Dowel Ø8mm x 30mm 	2
6	CSK M4 x 32mm 	8
7	L Key M4 x 100mm 	1
8	L Key M5 	1

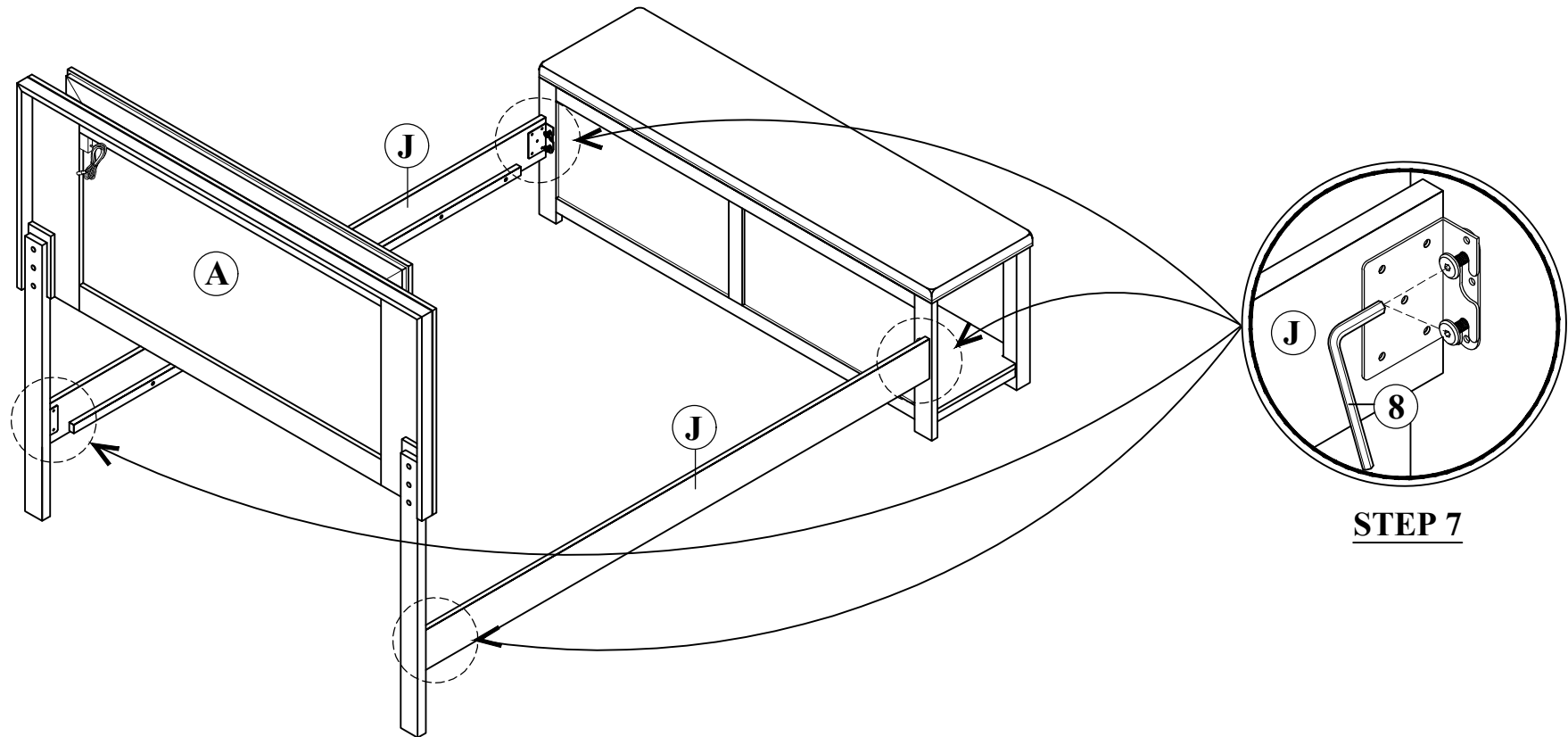


ASSEMBLY INSTRUCTIONS









ASSEMBLY INSTRUCTIONS

Item No : B117-34 + B117-78 + B117-35
Description : 5/0 QUEEN HEADBOARD +
5/0 - 6/6 RAILS + 5/0 QUEEN
UPH BENCH FTBD W/SLAT

