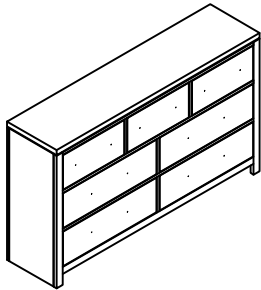


MODEL : B117-23

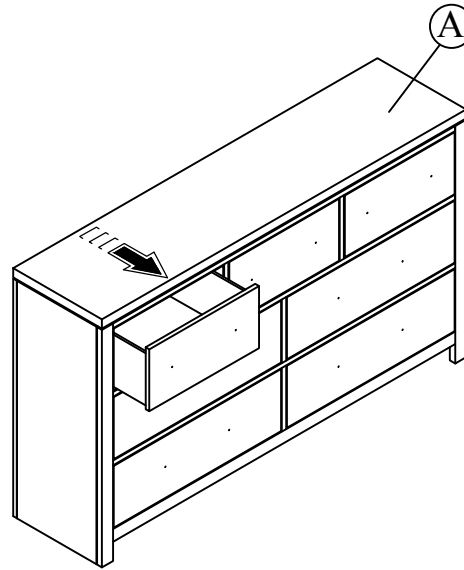
REVISION : A

Parts & Hardware

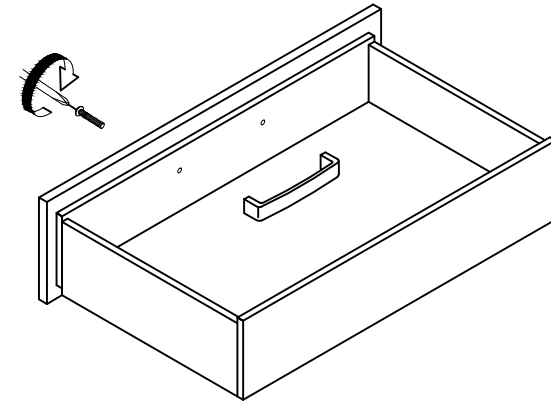
No	Descriptions	Qty
A	Dresser	1



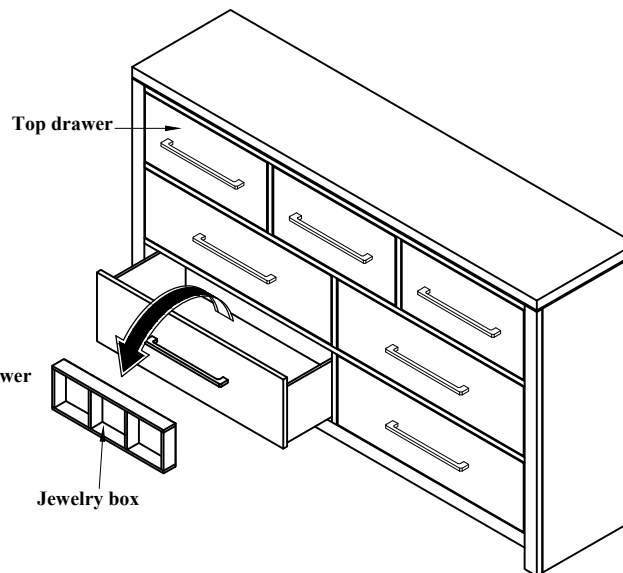
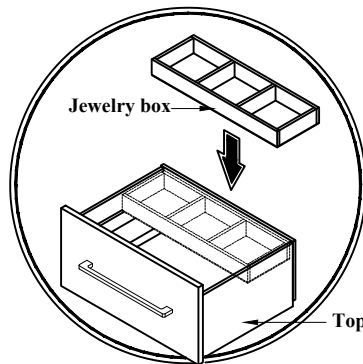
STEP 1: Pull out the Drawer of Dresser.



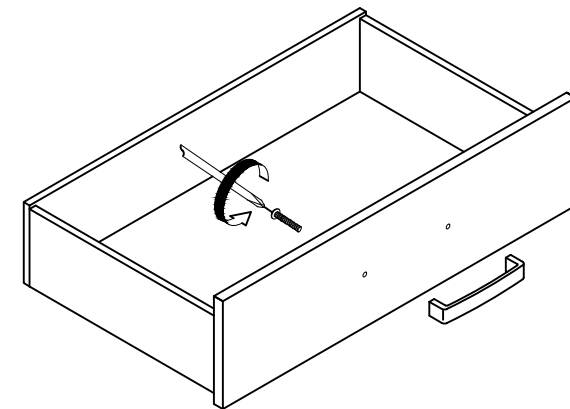
STEP 2: Use Screwdriver to remove the screws & handle.



STEP 5: Take out the jewelry box located in the Bottom drawer (left) and placed it in the Top drawer as shown.



STEP 3: Position the handle in front of drawer panel and screw it tightly with the same screw.



STEP 4: Repeat the step 1 - 3 for the other drawers.