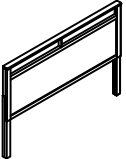
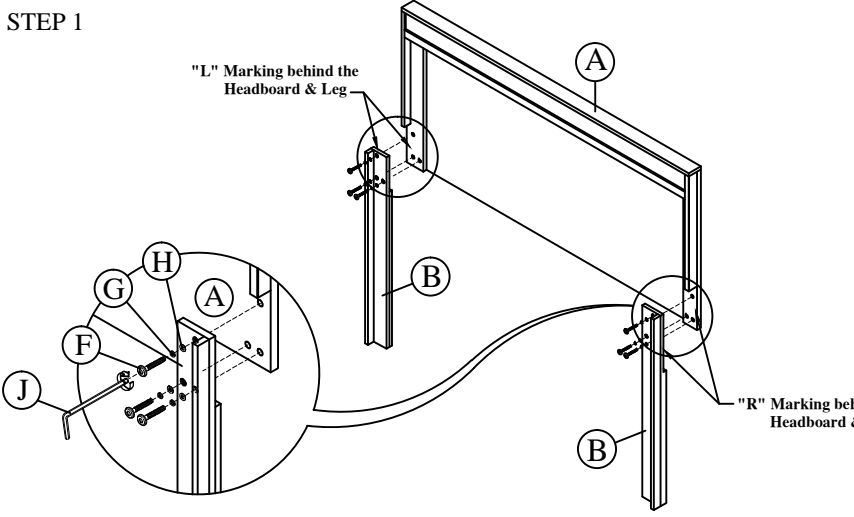
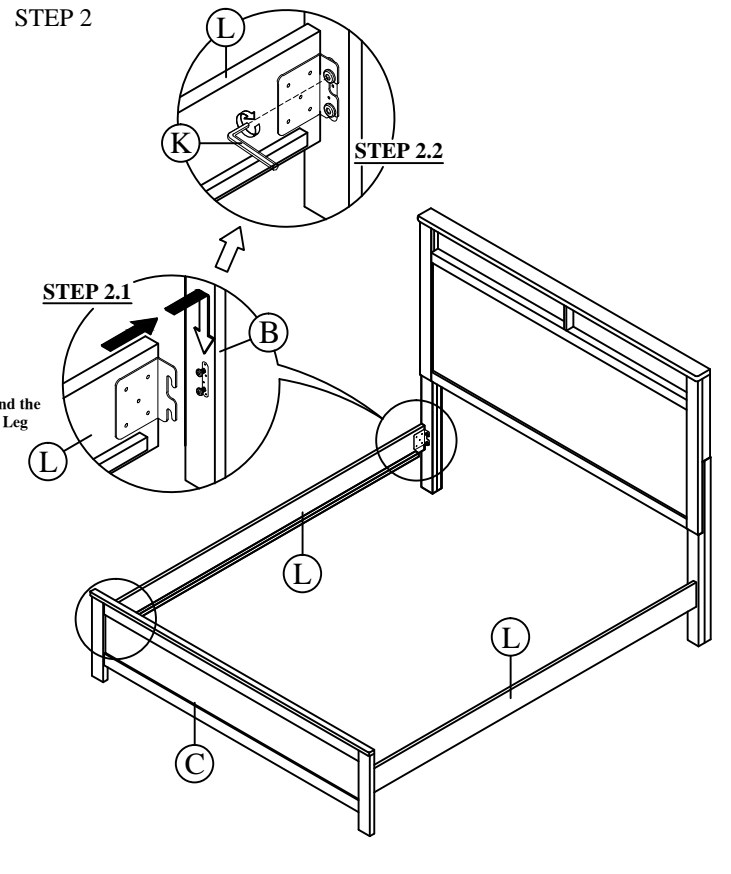



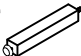
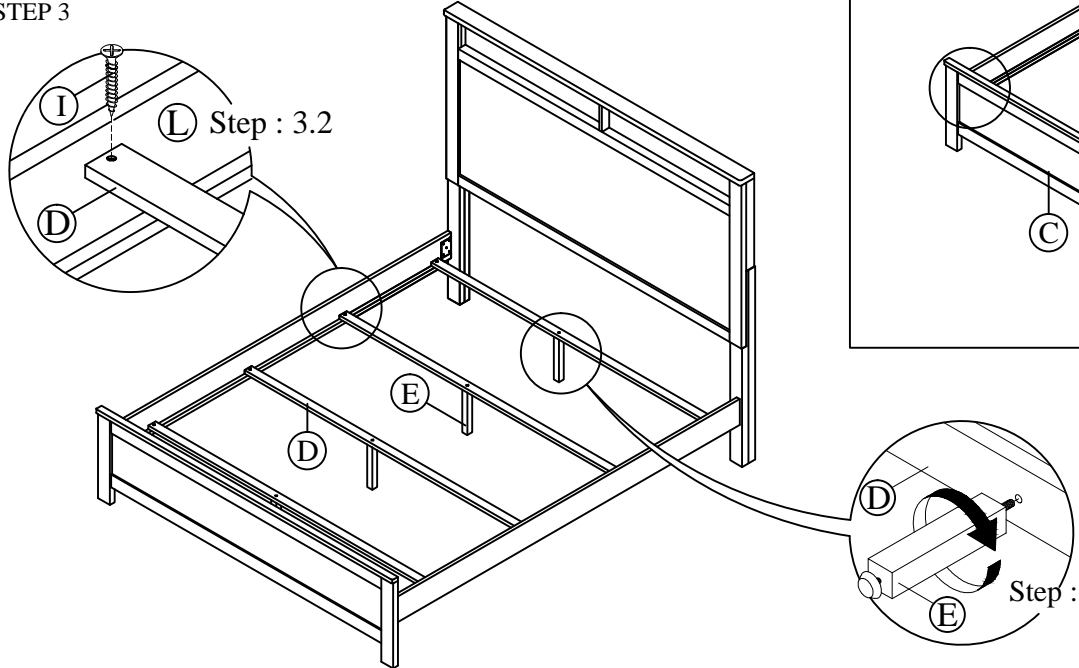
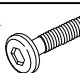
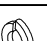




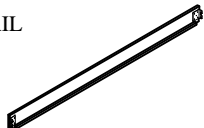


ASSEMBLY INSTRUCTION

Item No : B104-36 + B104-78

Description : 5/0 QUEEN PANEL HDBD/FDBD + 5/0-6/6 RAILS

NO	PART & HARDWARE LIST IN HEADBOARD & FOOTBOARD	QTY.	STEP 1	STEP 2
A	HEADBOARD 	1PC	 <p>"L" Marking behind the Headboard & Leg</p> <p>"R" Marking behind the Headboard & Leg</p>	 <p>STEP 2.1</p> <p>STEP 2.2</p>
B	LEG (Marking L & R) 	2PCS		
C	FOOTBOARD 	1PC		
D	SLATS 	4PCS		
E	BED SLAT SUPPORT 	4PCS	 <p>STEP 3</p> <p>Step : 3.2</p> <p>Step : 3.1</p>	
F	JCBC M6 X 30mm 	6PCS		
G	SPRING WASHER $\text{\O} \frac{1}{4}$ " 	6PCS		
H	FLAT WASHER $\text{\O} \frac{1}{4}$ " x 13mm 	6PCS		
I	CSK M4 x 32mm 	8PCS		
J	L KEY M4 x 110mm 	1PC		
K	L KEY M5 	1PC		
NO	PART LIST IN SIDERAIL	QTY.		
L	SIDERAIL 	2PCS		