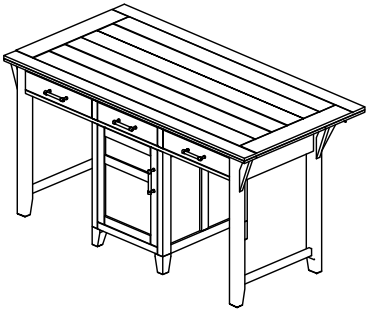



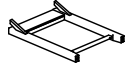
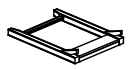

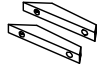
Progressive® ASSEMBLY INSTRUCTION

furniture Model No : A592-52 CONSOLE TABLE



IMPORTANT NOTE :

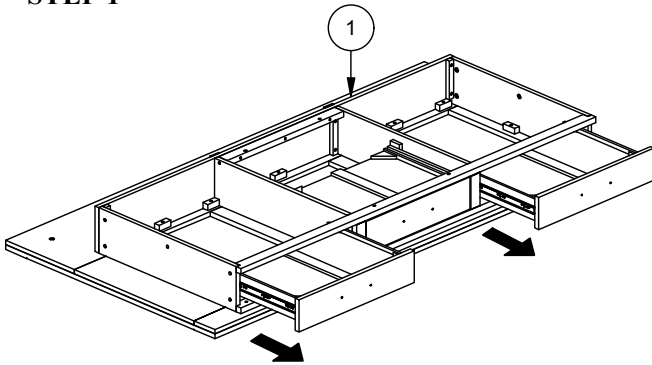
- Place all wooden parts on a clean and smooth surface such as a rug or carpet to avoid the parts from being scratched.
- Check to be sure that you have all parts and hardware.
- Remove all wrapping materials, including staples & packing straps before you start to assemble.
- Do not tighten all screws / bolts until all completely assembled.
- Keep all hardware parts out of reach of children.

PART LIST			
NO	DESCRIPTION		QTY/PCS
1		TABLE TOP	1 PC
2		LEG FRAME LEFT	1 PC
3		LEG FRAME RIGHT	1 PC
4		TABLE BASE	1 PC
5		TOP SUPPORT	2 PCS

HARDWARE LIST			
NO	DESCRIPTION		QTY/PCS
A		JCBC BOLT M6 x 35mm	18 PCS
B		SPRING WASHER M6	18 PCS
C		FLAT WASHER M6 x 13mm	18 PCS
D		ALLEN KEY M4 x 60mm	1 PC

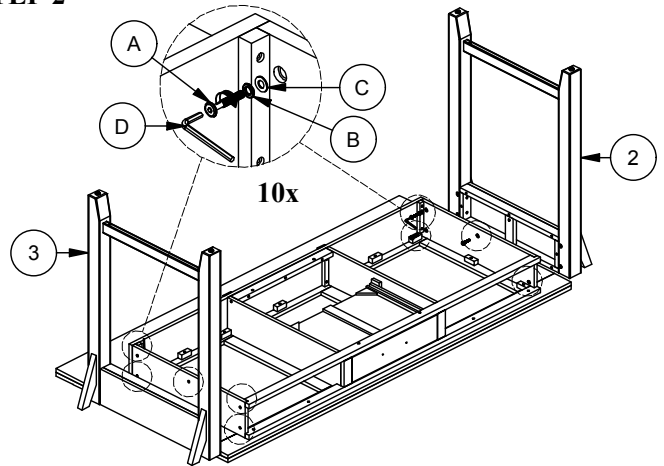
REMARKS : YOU WILL ALSO NEED A PHILIP SCREW DRIVER (NOT PROVIDED)

STEP 1

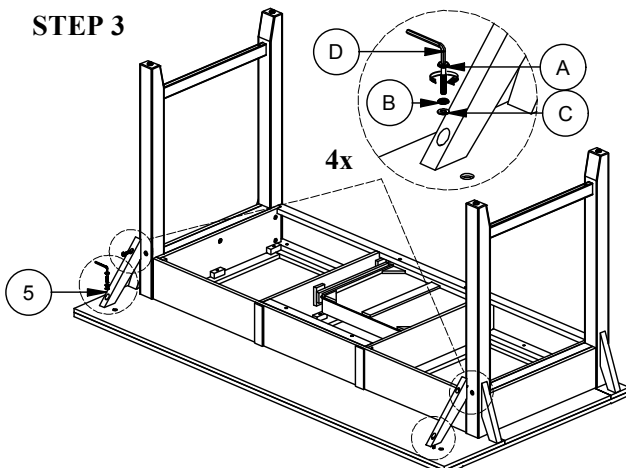


REMOVE DRAWER FROM TABLE TOP
PLEASE REFER TO ASSEMBLY INSTRUCTION FOR DRAWER REMOVAL & REINSTALL

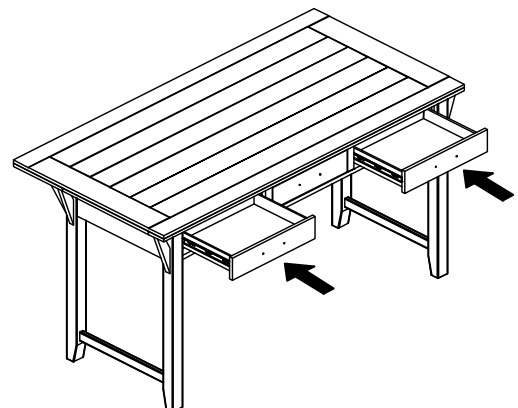
STEP 2



STEP 3



STEP 4

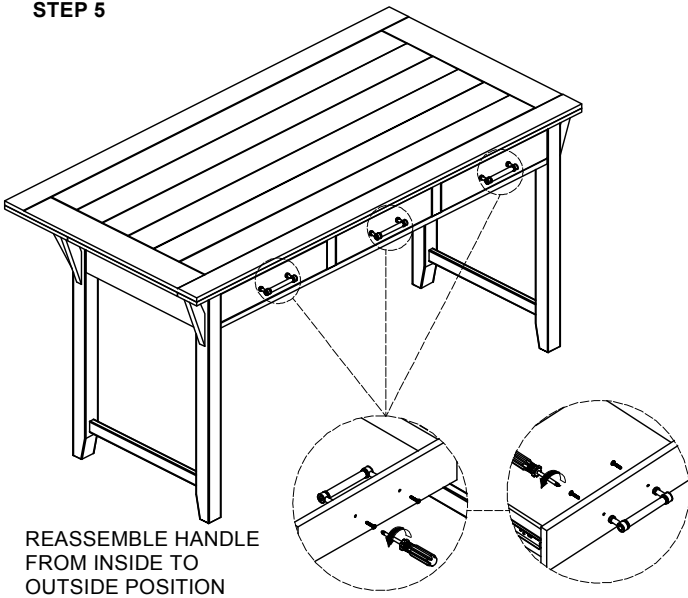


REINSTALL DRAWER TO TABLE TOP
PLEASE REFER TO ASSEMBLY INSTRUCTION FOR DRAWER REMOVAL & REINSTALL.

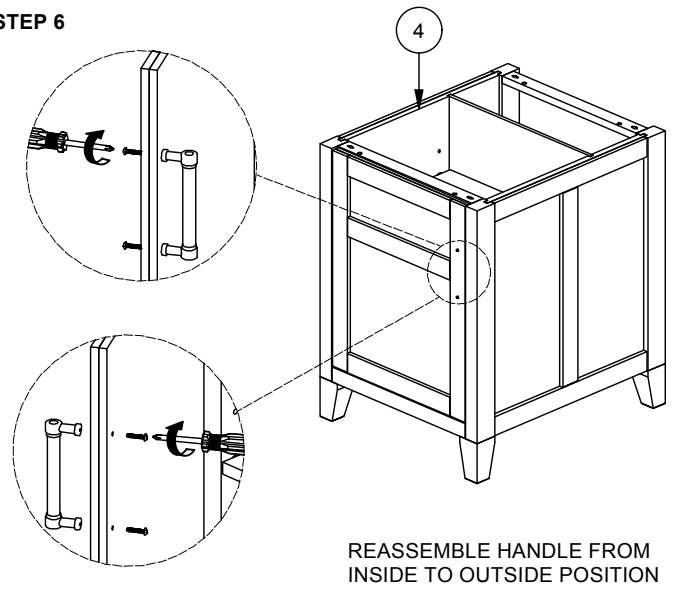
Progressive® ASSEMBLY INSTRUCTION

furniture Model No : A592-52 CONSOLE TABLE

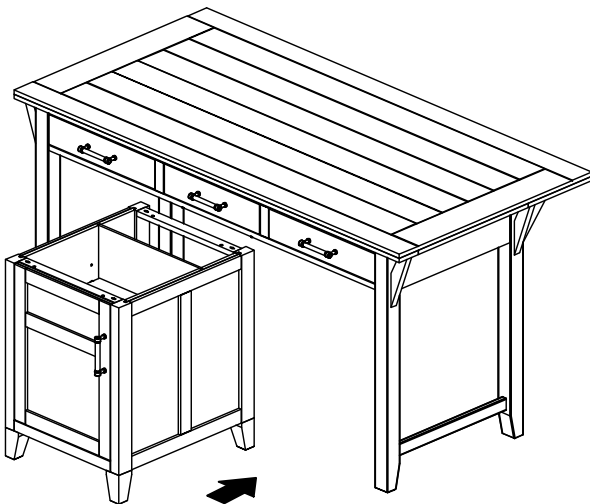
STEP 5



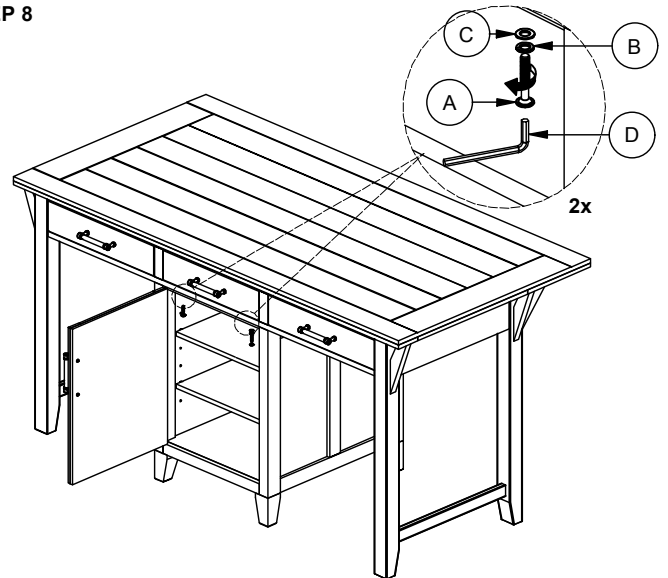
STEP 6



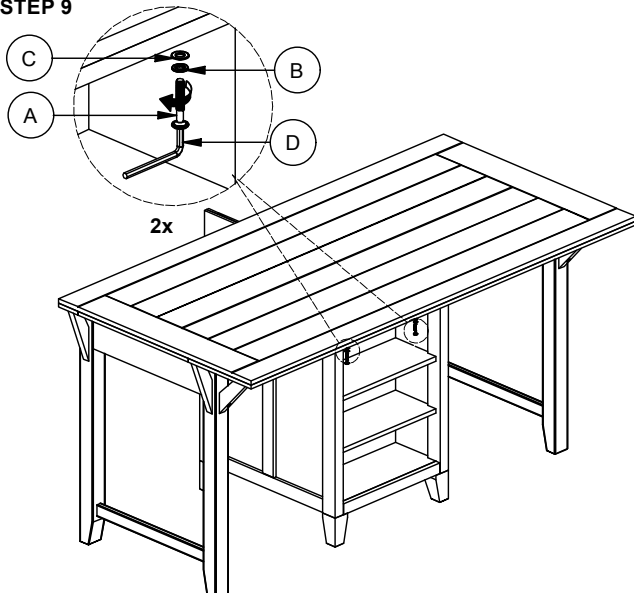
STEP 7



STEP 8



STEP 9



COMPLETE ASSEMBLE

Progressive® ASSEMBLY INSTRUCTION

furniture Model No : A592-52 CONSOLE TABLE

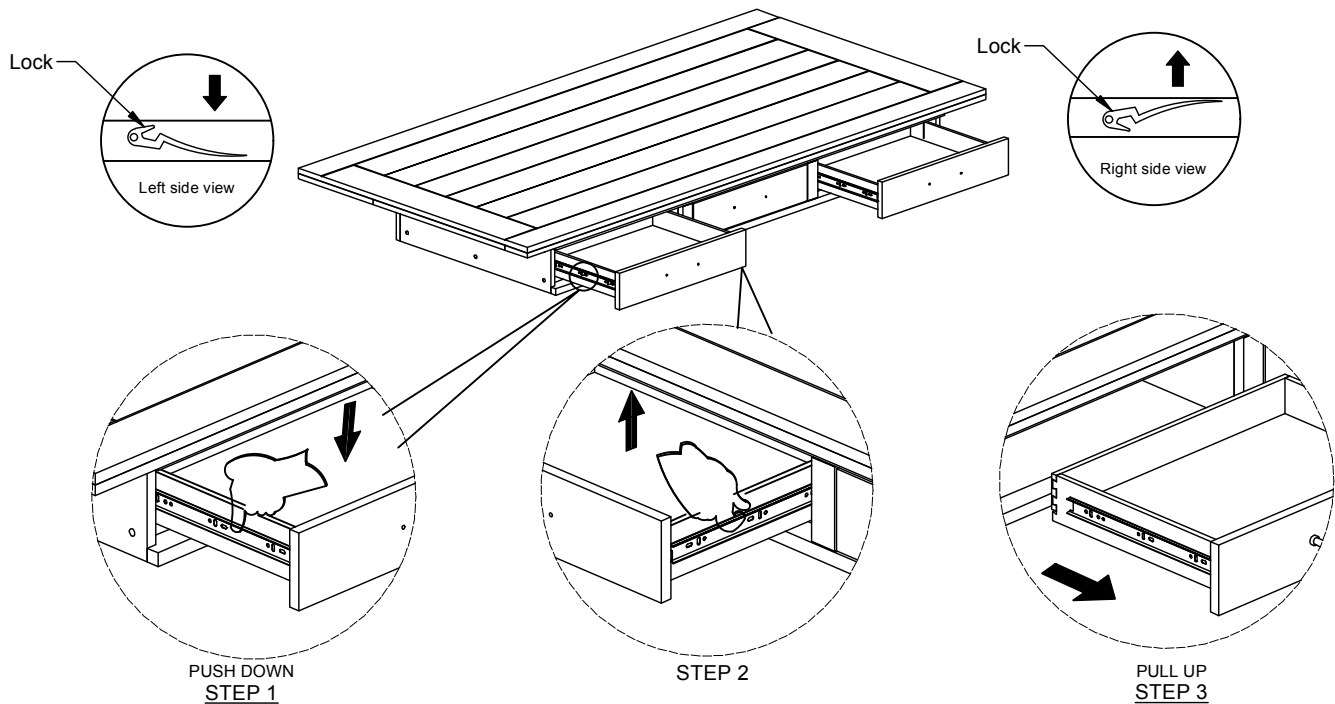
ASSEMBLY INSTRUCTIONS FOR DRAWER REMOVAL AND REINSTALL

TO REMOVE DRAWER:

STEP 1 : EXTEND THE BOX DRAWER TO ITS FULL EXTENSION.

STEP 2 : LOCATE THE DRAWER SLIDE LOCK ON EACH SIDE OF THE DRAWER BOX.
PULL UP THE LOCK ON THE LEFT SIDE OF THE DRAWER BOX AND PUSH DOWN THE LOCK ON THE RIGHT SIDE OF THE DRAWER BOX IN THE SAME TIME AND PULL DRAWER STRAIGHT OUT UNTIL SLIDE DRAWER MEMBERS DISENGAGE FROM CABINET MEMBERS.

STEP 3 : REMOVE THE DRAWER.



TO REINSTALL DRAWER :

MAKE SURE THE DRAWER WILL BE RE-INSTALL TO ITS ORIGINAL POSITION.

STEP 1 : INSERT DRAWER BY PULLING TRACK ON THE LEFT AND RIGHT CABINET MEMBERS ALL THE WAY FORWARD (INCLUDING BALL BEARING RACK)

STEP 2 : ALIGN TRACKS ON DRAWER WITH SLIDERS AND PUSH IN THE DRAWER UNTIL THERE IS AUDIBLE "CLICK" SOUND.

STEP 3 : CHECK FOR PROPER ALIGNMENT BY INSPECTING DRAWER FRONT MARGINS FOR SPACING AND SQUARENESS.

OPEN AND CLOSE SLOWLY SEVERAL TIMES TO ENSURE THE PROPER INSTALLMENT. IF THERE IS ANY UNEVEN, PLEASE REPEAT STEP OF REMOVAL AND REINSTALL THE DRAWER.

