

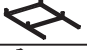










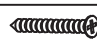
ASSEMBLY INSTRUCTIONS

A103-43 WOOD/METAL COUNTER STOOL

A103-43G WOOD/METAL COUNTER STOOL GRAY

A103-43N WOOD/METAL COUNTER STOOL NATURAL

Thank you for purchasing this high quality product. Check carefully for small parts which may have come loose during shipment.

PARTS LIST				HARDWARE LIST			
A	Front Leg Frame		1pc	a	Bolts $\phi 1/4" * 5/8"$		8pcs
B	L&R Seat Supports		2pcs	b	Spring washer $\phi 1/4"$		8pcs
C	Footrest supports		2pcs	c	Flat washer $1/4" * 16mm$		8pcs
D	Back Leg Frame		1pc	d	Allen wrench M4*60mm		1pc
E	Wood Backrest		1pc	e	Screws #8*1-1/2"		10pcs
F	Wood Seat		1pc	f	Screws #8*2"		2pcs

Identify L&R Seat Supports (B), attach the square end at the Front Leg Frame (A) and angled end at the back with the longer part of the angle at the bottom. Do not tighten.

Diagram 1

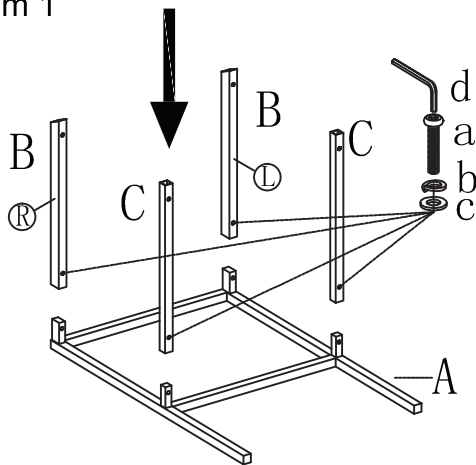
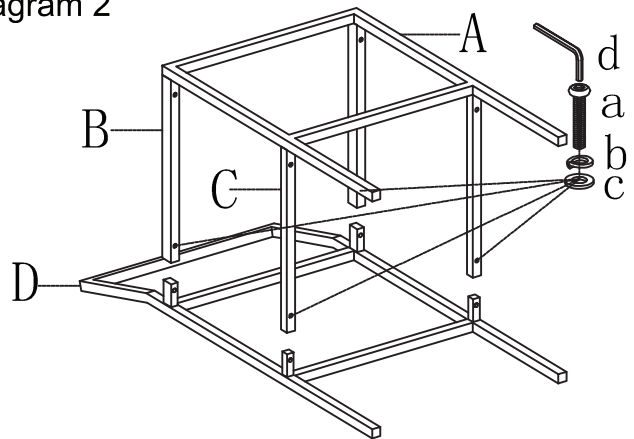


Diagram 2



Do not tighten bolts until total assembled. Put stool on flat surface and tighten all bolts, then attach seat (F).

Diagram 3

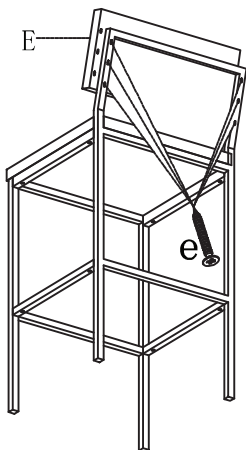
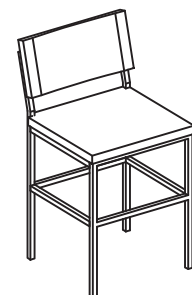
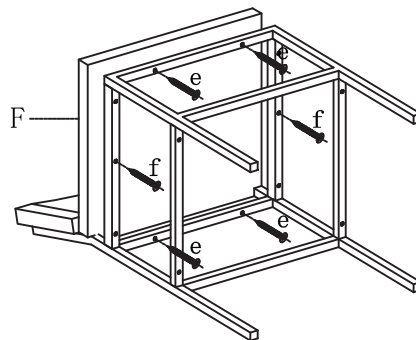


Diagram 4



A103-43

MADE IN CHINA