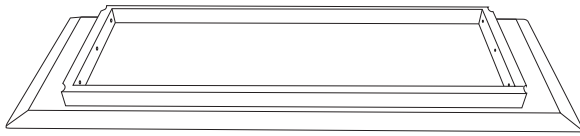


Assembly Instructions For Coffee Table

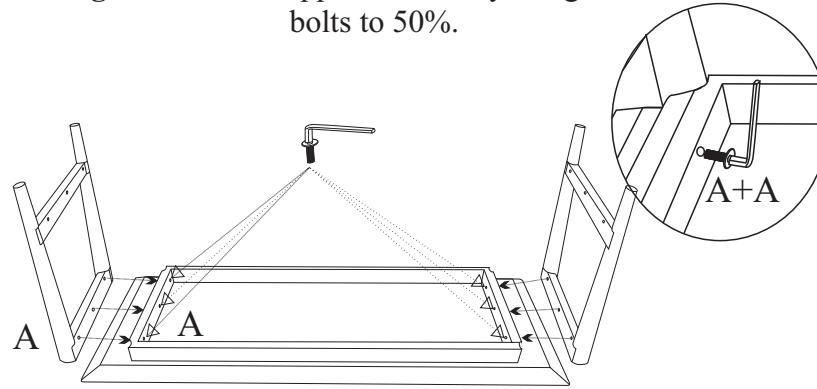
Step - 1

Lay the table top upside down on protective surface.



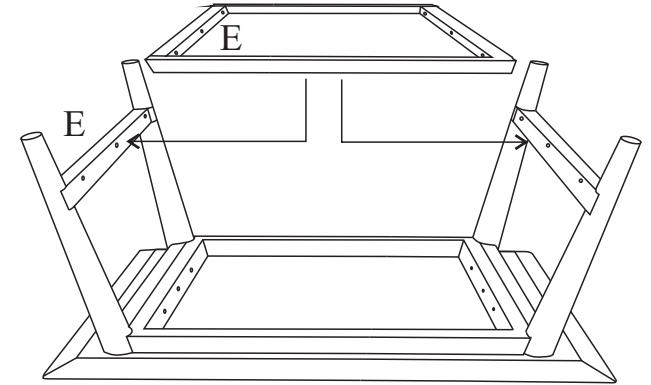
Step - 2

Coordinate the letters on the legs & letters on the bottom of the table top. Align the holes on the legs with the holes on the top and insert the **big bolts** & use supplied allen key to tighten the bolts to 50%.



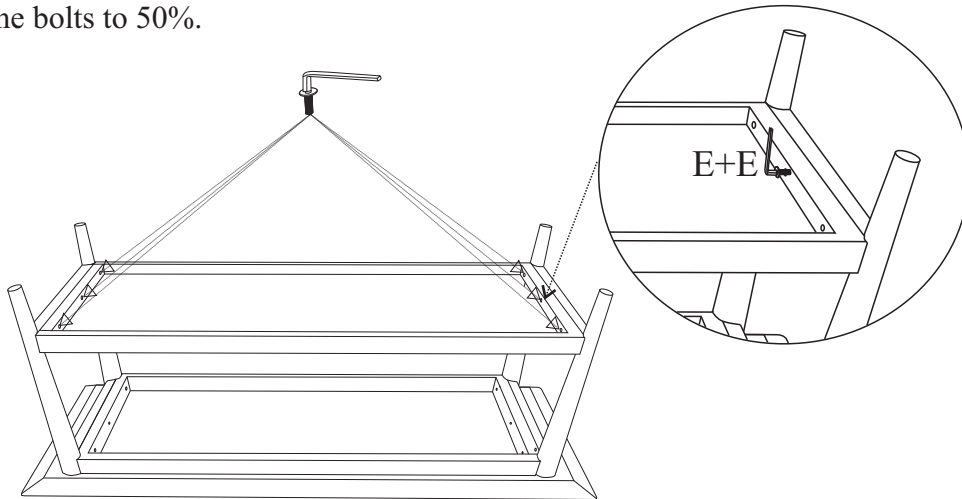
Step - 3

Coordinate the letters on the shelf & letters on the legs. Align the holes on the shelf with the holes on the legs.



Step - 4

Insert the small bolts & use supplied allen key to tighten the bolts to 50%.

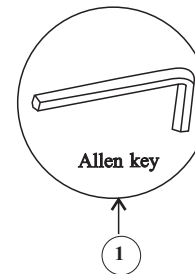
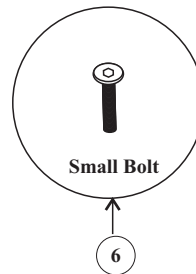
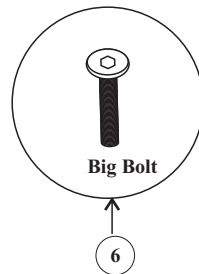
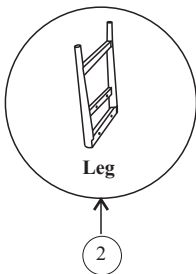
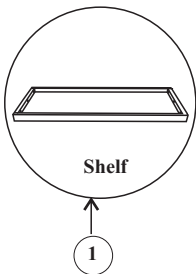
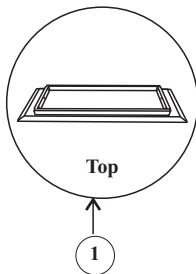
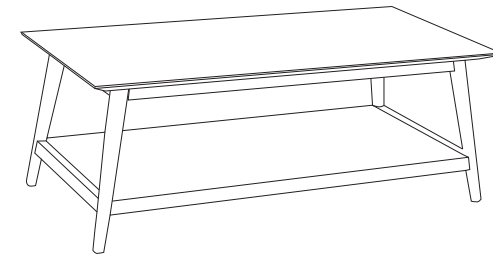


Step - 5

Tighten all the bolts to 100%.



Assembled View.



05-108-02-5012 | Natural
48x24x18"

S.R. No.	Part	Qty.
1	Top	1
2	Shelf	1
3	Legs	2
4	Allen key	1
5	Big Bolts	6
6	Small Bolts	6