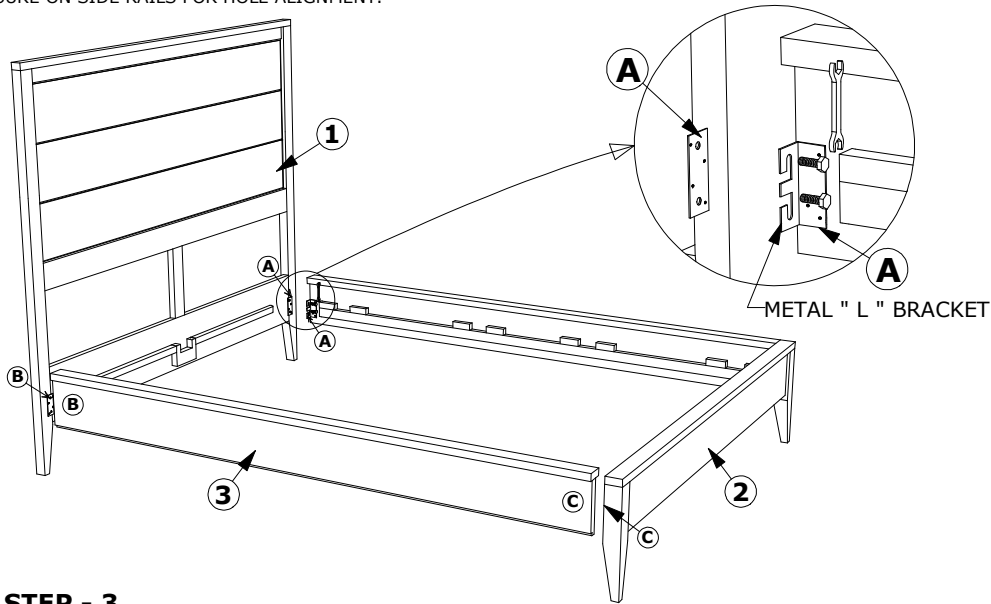


ASSEMBLY INSTRUCTION SHEET FOR BED

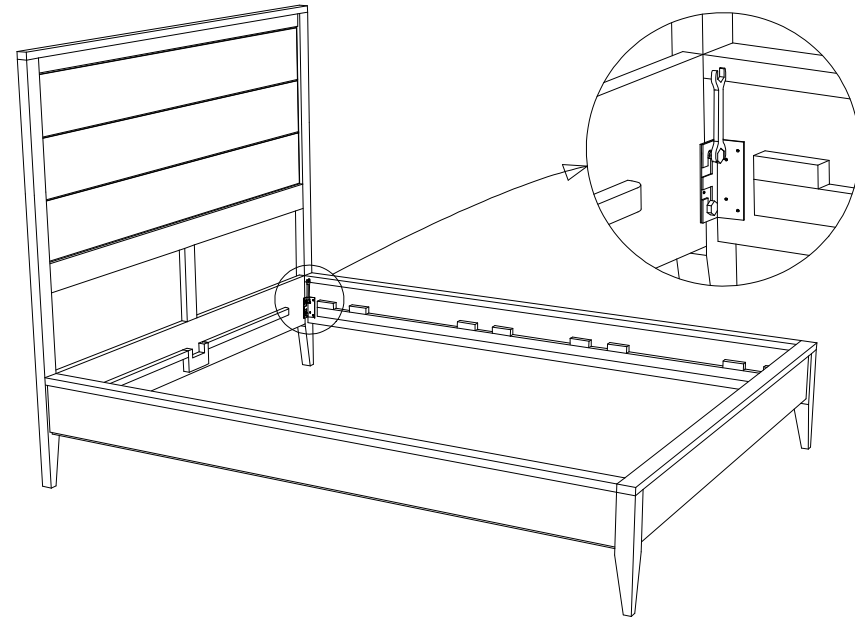
STEP - 1

LAYOUT HEAD BOARD, FOOTBOARD AND SIDE RAILS. MAKE SURE SIDE RAILS DIRECTION COORDINATES WITH NUMBERS ON FOOTBOARD AND HEADBOARD. ALIGN THE HOLES OF METAL " L " BRACKET ON SIDE RAIL WITH HOLES OF METAL PLATE ON HEAD BOARD & FOOT BOARD. MIGHT NEED TO APPLY PRESSURE ON SIDE RAILS FOR HOLE ALIGNMENT.



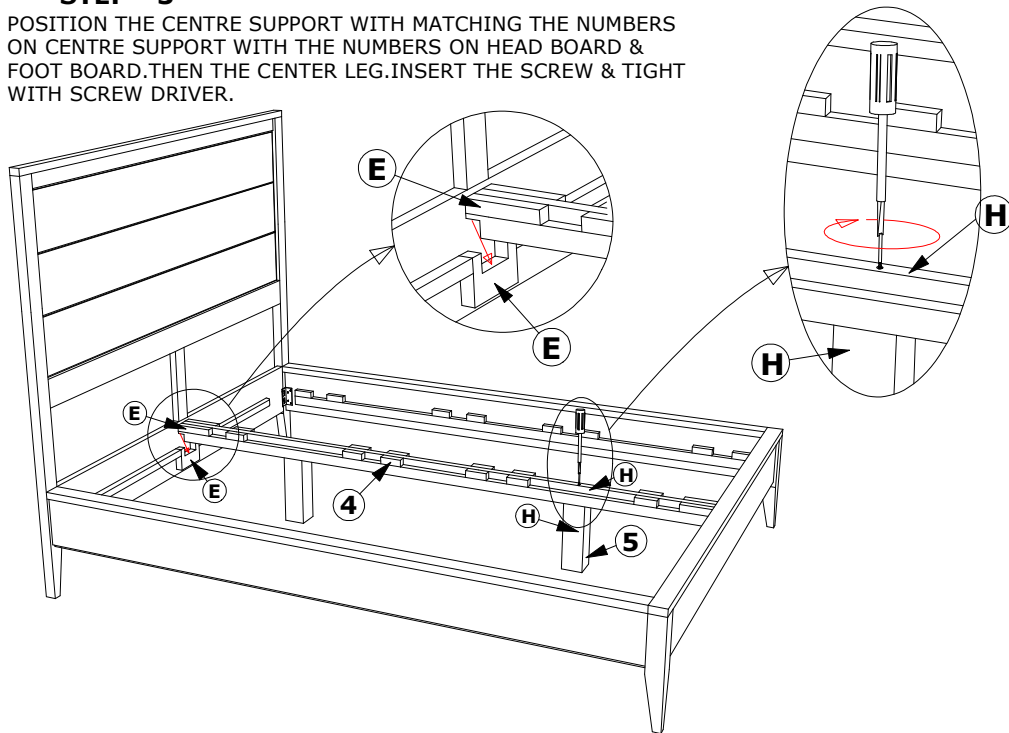
STEP - 2

INSERT THE BOLT & USE THE WRENCH TO TIGHTEN THE BOLT.



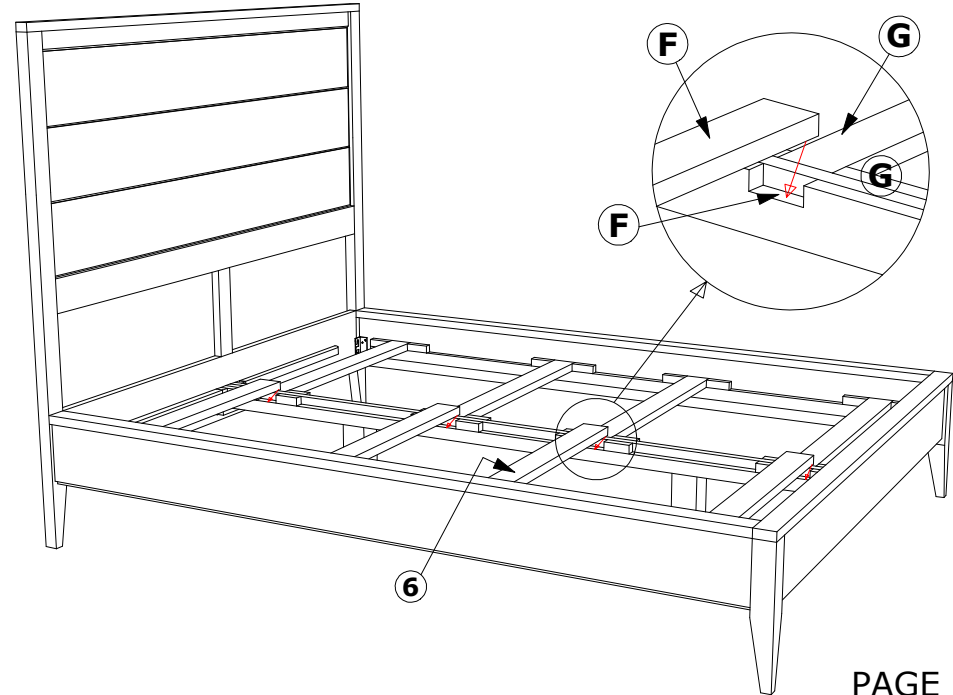
STEP - 3

POSITION THE CENTRE SUPPORT WITH MATCHING THE NUMBERS ON CENTRE SUPPORT WITH THE NUMBERS ON HEAD BOARD & FOOT BOARD. THEN THE CENTER LEG. INSERT THE SCREW & TIGHT WITH SCREW DRIVER.

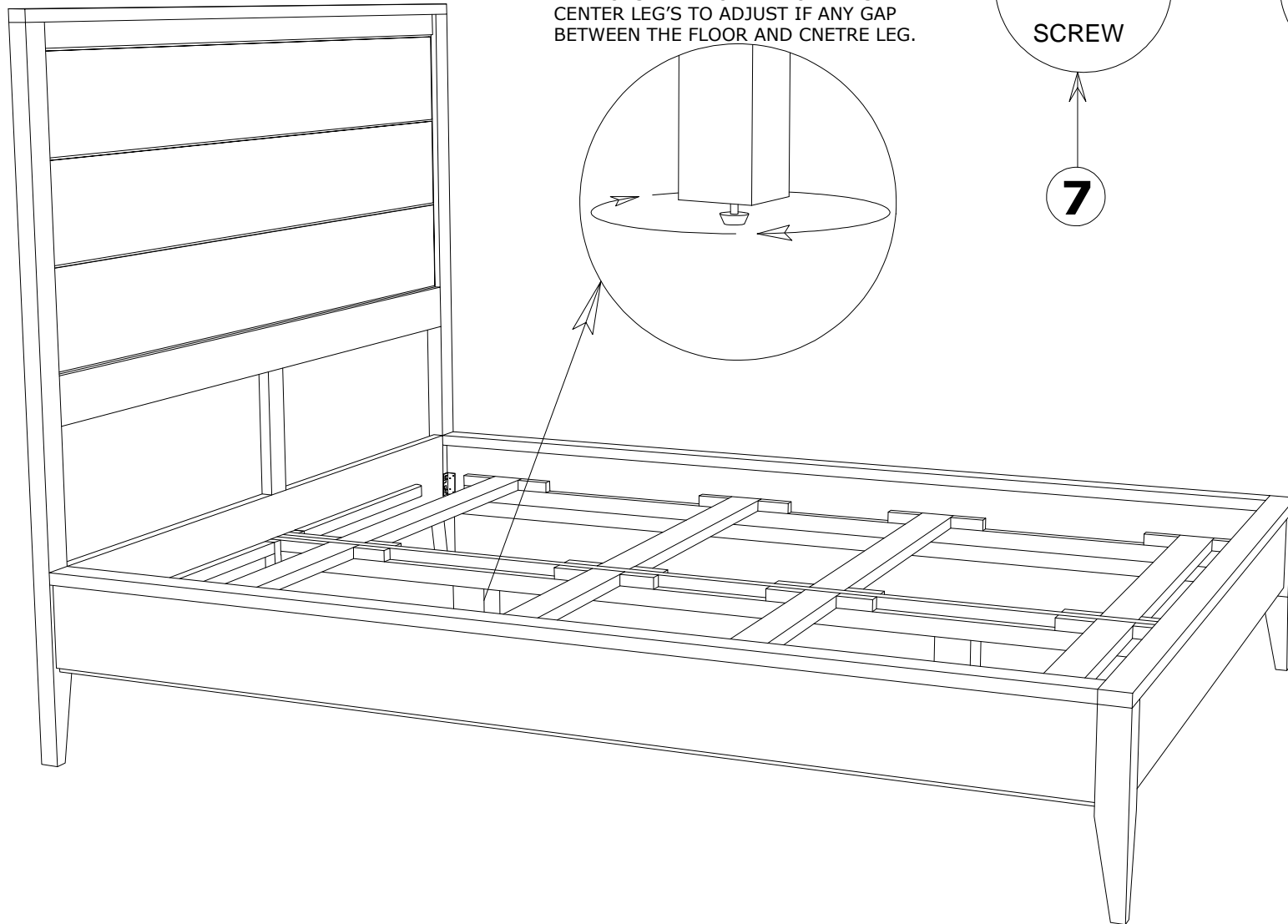


STEP - 4

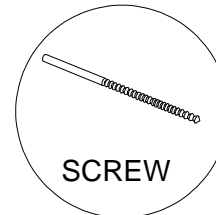
PLACE THE WOODEN SLATS ON TO THE SIDE FIRST & THEN ON CENTRE SUPPORT



ASSEMBLY INSTRUCTION SHEET FOR BED

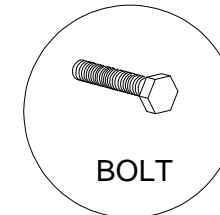


STEP - 5
LEVELERS ARE PROVIDED ON THESE CENTER LEG'S TO ADJUST IF ANY GAP BETWEEN THE FLOOR AND CENTER LEG.



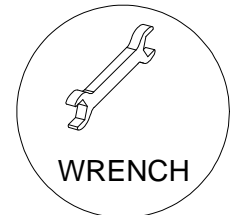
SCREW

7



BOLT

8



WRENCH

9

HC4479S01
QUEEN BED (MS:-61"X81.50")

S.N.	PART LIST	QTY.
1	HEAD BOARD	1
2	FOOTBOARD	1
3	SIDE RAIL	2
4	CENTER SUPPORT	1
5	CENTER LEG	2
6	WOODEN SLAT	8
7	SCREW	2
8	BOLT	8
9	WRENCH	1