





Furniture Connexion & Porter Designs

ASSEMBLY INSTRUCTION

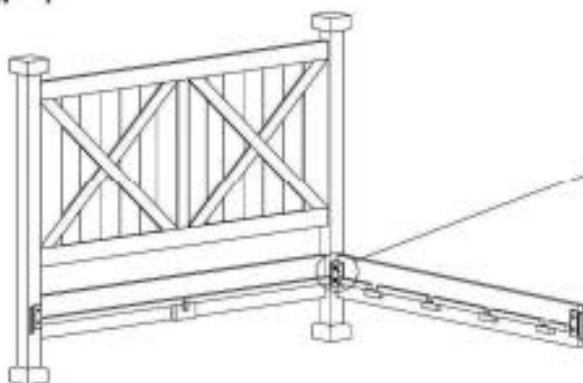
SKU#	04-196-18-C002
DESCRIPTION#	CROSSROADS KING BED

Thank you for purchasing this quality product. Be sure to check all packing material carefully for small parts, which may have come loose inside the carton during shipment. Identify and count all parts and compare with the hardware and parts list below

PART LIST

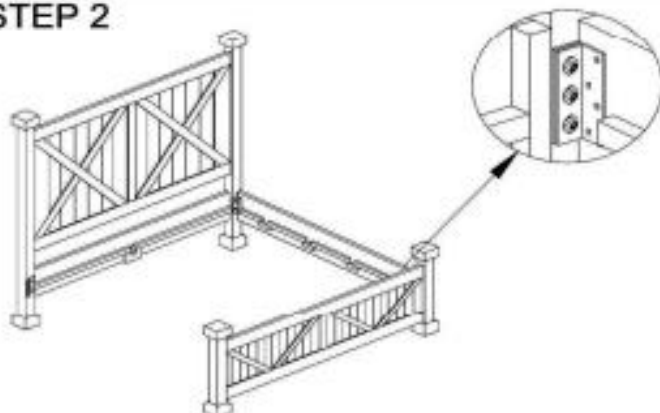
LABEL	PICTURE	DESCRIPTION	QTY
A		Allen-key	1
B		Allen-Bolts + Washers + Spring Washer	9 + 9 + 9
C		Headboard & Footboard	1 + 1
D		Center Support, Side rail & Slats	1 + 2 + 8

STEP 1



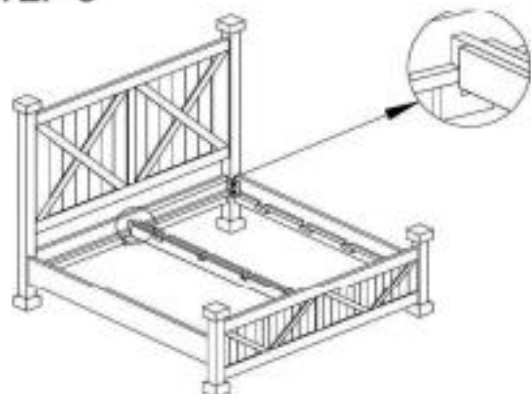
Align holes on side rail with holes on headboard. Use supplied Allen-key to tighten 50% initially (tighten Allen-bolts 100% after doing full assembly) as shown in diagram. Copy step 1 for other side rail with headboard.

STEP 2



Align holes on side rail with holes on footboard. Use supplied Allen-key to tighten 50% initially (tighten Allen-bolts 100% after doing full assembly) as shown in diagram. Copy step 2 for other side rail with footboard.

STEP 3



Attached center leg with headboard & footboard as shown in diagram.

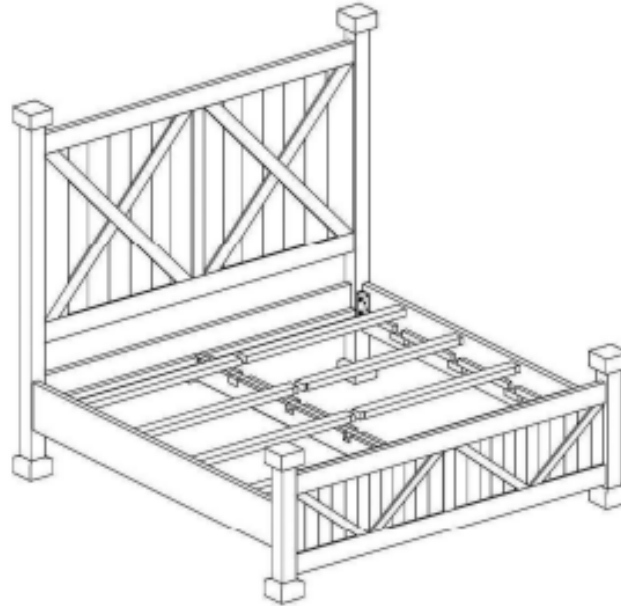
Furniture Connexion & Porter Designs

ASSEMBLY INSTRUCTION

SKU#	04-196-18-C002
DESCRIPTION#	CROSSROADS KING BED

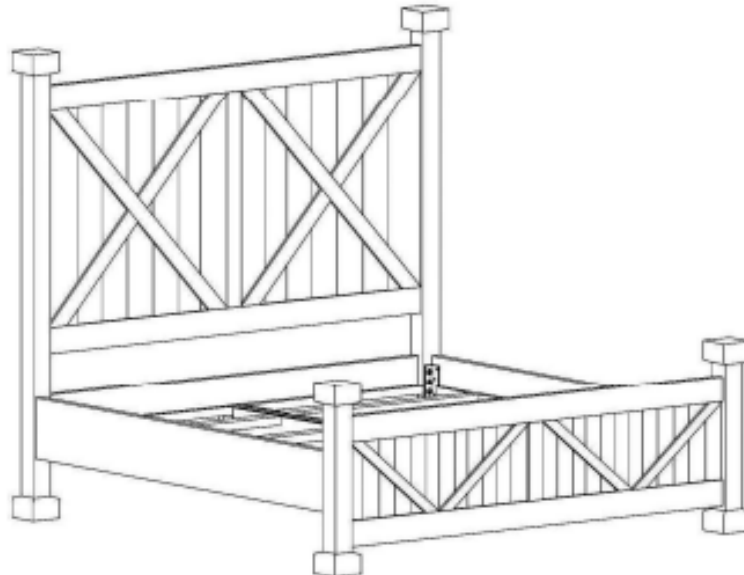
Thank you for purchasing this quality product. Be sure to check all packing material carefully for small parts, which may have come loose inside the carton during shipment. Identify and count all parts and compare with the hardware and parts list below

STEP 4



Place slats flat in slat slots (4 on each side of bed set).

STEP 5



COMPLETELY ASSEMBLED

PAGE 2 OF 2