

Furniture Connexion & Porter Designs


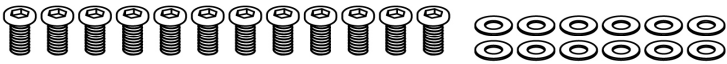
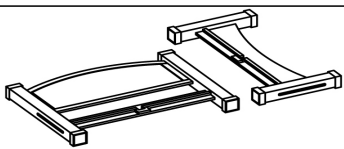
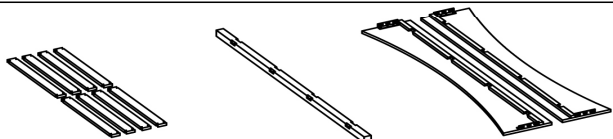
ASSEMBLY INSTRUCTION

SKU# 04-196-14-9047

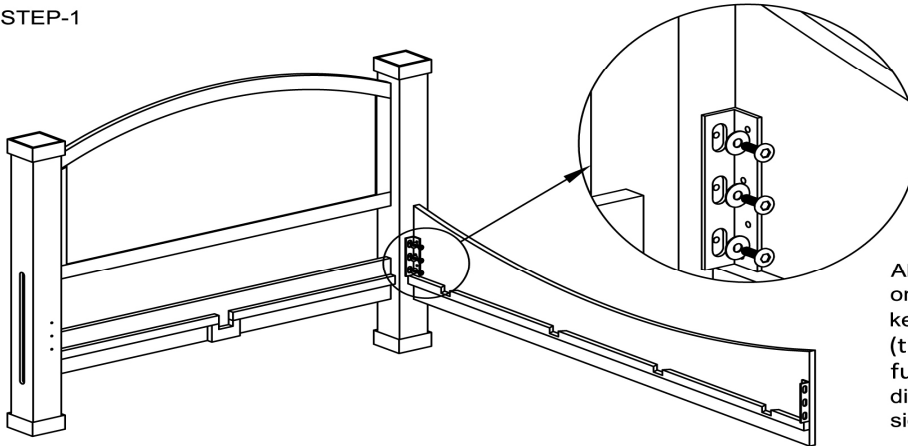
DESCRIPTION# TAHOE QUEEN BED

Thank you for purchasing this quality product. Be sure to check all packing material carefully for small parts, which may have come loose inside the carton during shipment. Identify and count all parts and compare with the hardware and parts list below

PART LIST

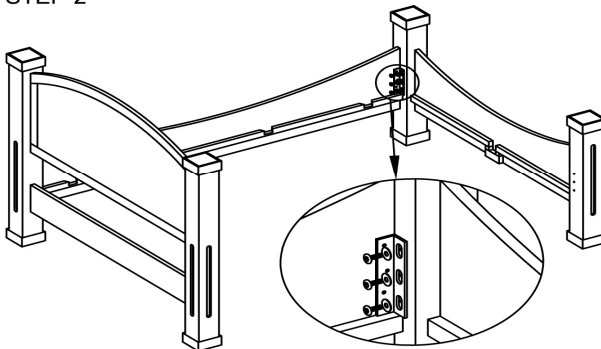
LABEL	PICTURE	DESCRIPTION	QTY
A		ALLEN KEY	1
B		ALLEN BOLTS & WASHER	12 + 12
C		HEADBOARD & FOOTBOARD	1 + 1
D		SIDE RAILS, CENTER SUPPORT & SLATS	2 + 1 + 8

STEP-1



Align holes on side rail with holes on headboard. Use supplied allen key to tighten 50% initially (tighten bolts 100% after doing full assembly) as shown in diagram. Copy step 1 for other side rails with headboard

STEP-2



Align holes on side rail with holes on footboard. Use supplied allen key to tighten 50% initially (tighten bolts 100% after doing full assembly) as shown in diagram. Copy step 2 for other side rails with footboard

STEP-3

