

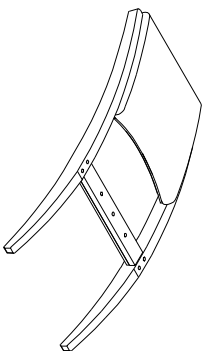
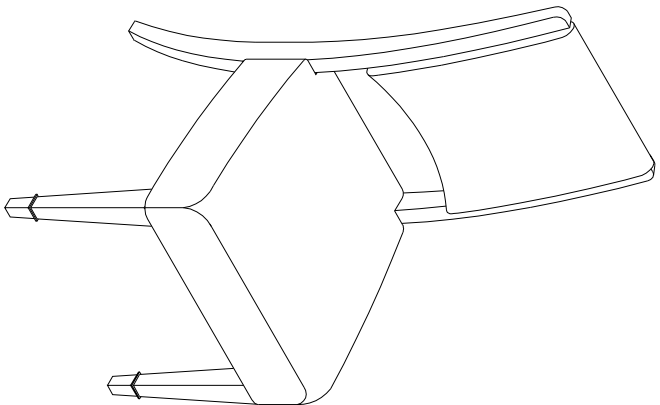
PARTS LIST / LISTE DES PIÈCES / LISTA DE PIEZAS

ITEM NO. / NO D'ARTICLE/ ARTICULO NO. : P378260

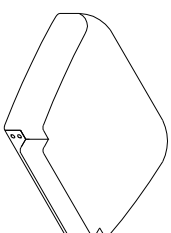
DESCRIPTION/ LA DESCRIPTION / DESCRIPCIÓN : Wood Back Side Chair 2/cdn

Chaise d'appoint avec dossier en bois 2 pièces par Boîte

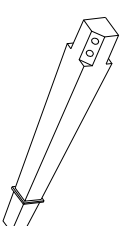
Silla con respaldo de madera 2 unids Por Caja



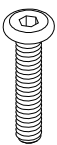
- (A)**
- x1 Chair back *
 - x1 Dossier de chaise
 - x1 Respaldo de la silla



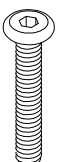
- (B)**
- x1 Seat Cushions *
 - x1 Coussins de siège
 - x1 Cojines de asientos



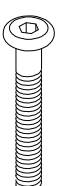
- (C)**
- x2 Left/Right front leg *
 - x2 Gauche/Bras patte avant
 - x2 Izquierda/ Brazo pata delantera



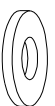
- (D)**
- x1 Allen bolt $\phi 5/16$ "x38mm *
 - x1 Vis à tête creuse hexagonale $\phi 5/16$ "x38mm
 - x1 Perno Allen $\phi 5/16$ "x38mm



- (E)**
- x4 Allen bolt $\phi 5/16$ "x51mm *
 - x4 Vis à tête creuse hexagonale $\phi 5/16$ "x51mm
 - x4 Perno Allen $\phi 5/16$ "x51mm



- (F)**
- x4 Allen bolt $\phi 5/16$ "x76mm *
 - x4 Vis à tête creuse hexagonale $\phi 5/16$ "x76mm
 - x4 Perno Allen $\phi 5/16$ "x76mm



- (G)**
- x9 Flat Washer $\phi 5/16$ "x19x2mm *
 - x9 Rondelle plate $\phi 5/16$ "x19x2mm
 - x9 Arandela plana $\phi 5/16$ "x19x2mm



- (H)**
- x9 Lock washer $\phi 5/16$ " *
 - x9 Rondelle de blocage $\phi 5/16$ "
 - x9 Arandela de Seguridad $\phi 5/16$ "



- (I)**
- x1 Allen Key 5mm *
 - x1 Clé hexagonale 5mm
 - x1 Llave Allen 5mm

* Replaceable Part

Residential Use Only

Made In Vietnam / Fabriqué au Vietnam / Hecho en Vietnam
For assembly instruction video, please go to: www.myfurnitureinstructions.com

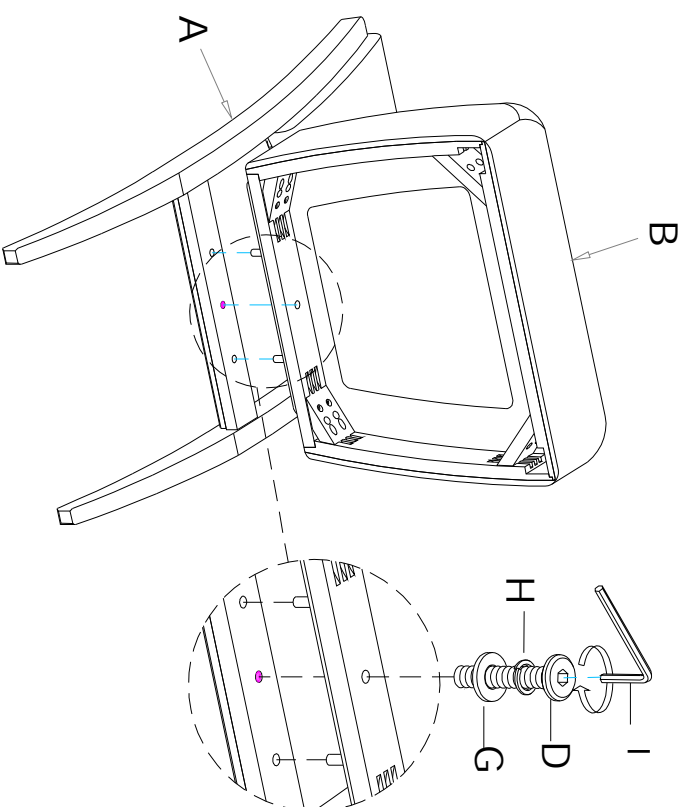
ASSEMBLY INSTRUCTIONS/ NOTICE DE MONTAGE/ INSTRUCCIONES DE MONTAJE

ITEM NO./ NO D'ARTICLE/ ARTICULO NO. : P378260

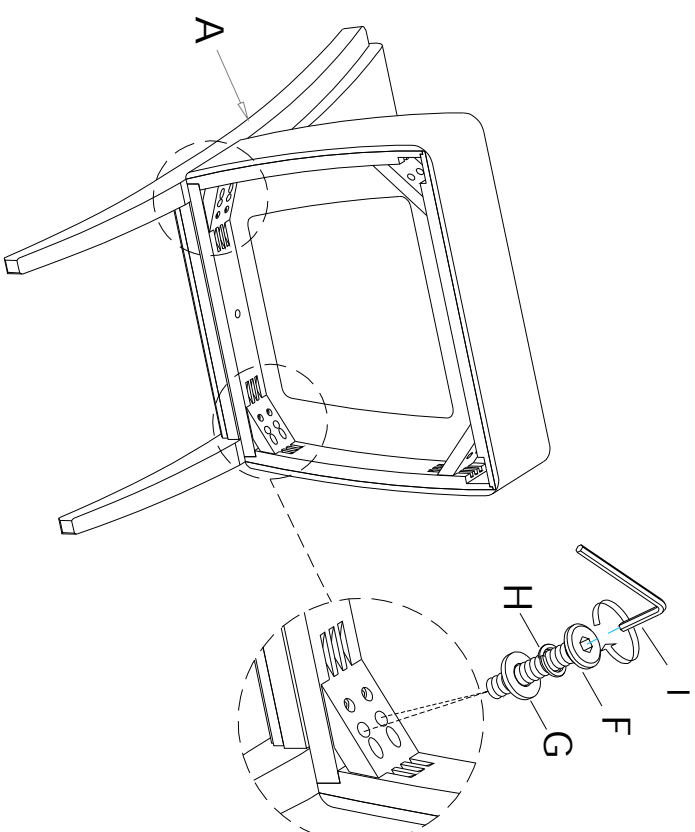
DESCRIPTION/ LA DESCRIPTION /DESCRIPCIÓN : Wood Back Side Chair 2/cin

Chaise d'appoint avec dossier en bois 2 pièces par Boîte
Silla con respaldo de madera 2 unids Por Caja

STEP 1
ÉTAPE 1
PASO 1



STEP 2
ÉTAPE 2
PASO 2



* Replaceable Part

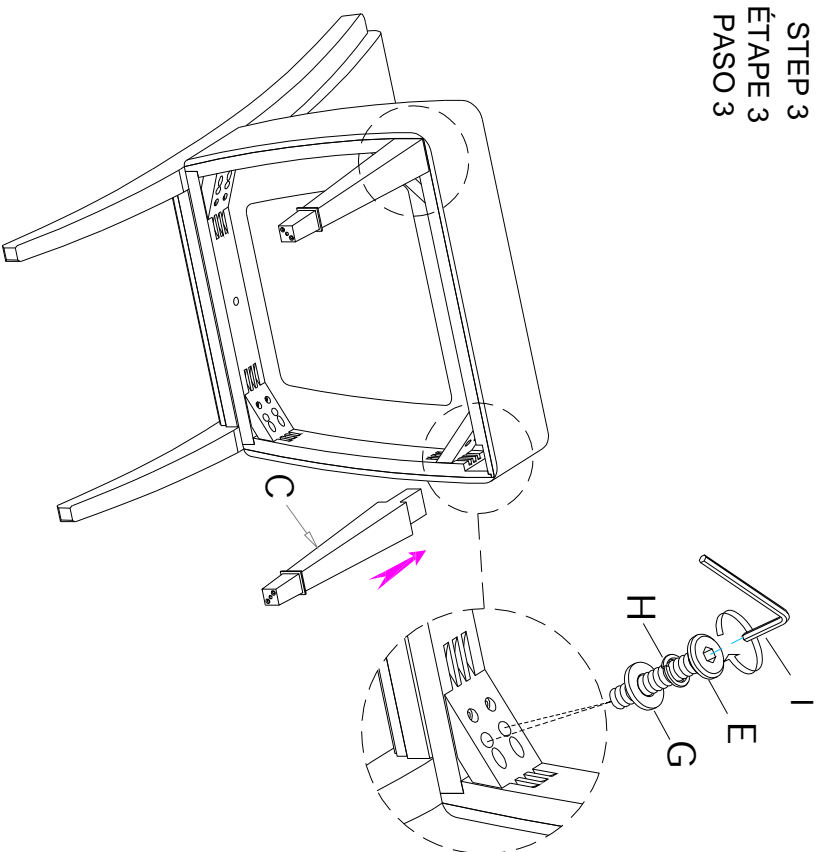
ASSEMBLY INSTRUCTIONS/ NOTICE DE MONTAGE/ INSTRUCCIONES DE MONTAJE

ITEM NO./ NO D'ARTICLE/ ARTICULO NO. : P378260

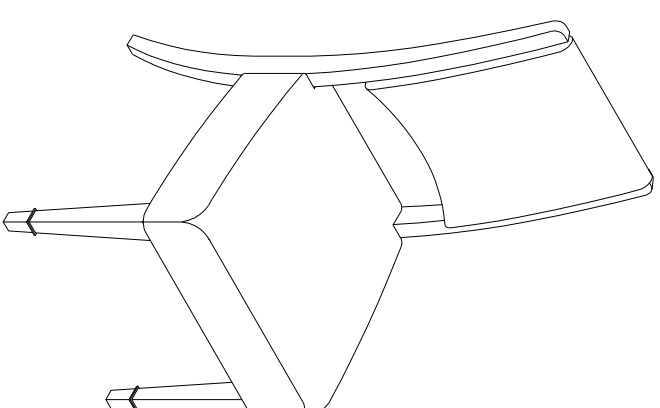
DESCRIPTION/ LA DESCRIPTION /DESCRIPCIÓN : Wood Back Side Chair 2/cn

Chaise d'appoint avec dossier en bois 2 pièces par Boîte
Silla con respaldo de madera 2 unids Por Caja

STEP 3
ÉTAPE 3
PASO 3



STEP 4
ÉTAPE 4
PASO 4



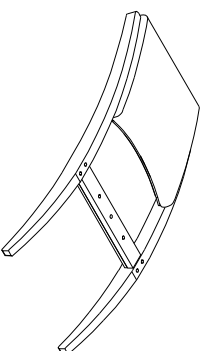
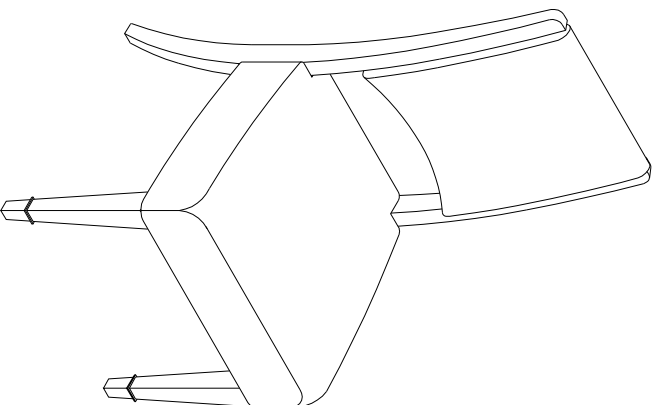
* Replaceable Part

REPLACEABLE PART / PARTIE REMPLAÇABLE / PARTE REEMPLAZABLE

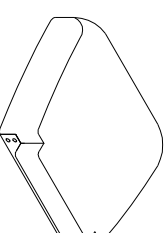
ITEM NO. / NO D'ARTICLE/ ARTICULO NO. : P378260

DESCRIPTION/ LA DESCRIPTION /DESCRIPCION : Wood Back Side Chair 2/cn

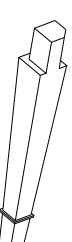
Chaise d'appoint avec dossier en bois 2 pièces par Boite
Silla con respaldo de madera 2 unids Por Caja



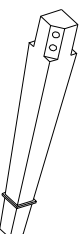
x1 RP378260-BACK- Chair Back *
Dossier de chaise
Respaldo de silla



x1 RP378260-SEAT- Seat frame with cushion *
Sège avec coussin
Cojin de asiento con cuadro del asiento



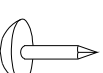
x1 RP378260-LEGL- Front leg (Left) *
Patte avant (Gauche)
Pata delantera (Izquierda)



x1 RP378260-LEGR-Front leg (Right) *
Patte avant (Arrière)
Pata delantera (Derecha)



x1 RP378260-HWKIT-Hardware *
Liste des pièces de quincaillerie
Lista del kit de materiales



x4 RC-WH-NAIL - White Plastic Nail
Clou en plastique
Clavo de plástico

* Replaceable Part

Residential Use Only

Made In Vietnam / Fabriqué au Vietnam / Hecho en Vietnam
For assembly instruction video, please go to: www.myfurnitureinstructions.com

Protect Your Wood or Laminate Flooring

* This statement applies to any floor without carpet.

If not careful, all furniture including upholstery and case pieces can scratch, scuff and even gouge floors. The recommendation is to have felt, rubber pads or area rugs under furniture on flooring without carpet.

Moving your furniture

Pushing and dragging furniture over floor without carpet can lead to scratches and scuffs. Have someone help when moving the larger pieces of furniture by lifting, try using a dolly or moving pads.

Felt and rubber pads

Applying furniture pads to the feet of furniture helps cushion contact points. Furniture pads can be found at local hardware stores. Felt pads slide easily across the floor, making them ideal for dining chairs and other pieces that move with use. Rubber pads will help furniture stay in place and are perfect for larger pieces, like sofas and loveseats.

Area rugs and rug pads

Using an are rug under furniture is another way to protect your floor from scratches and scuff marks. A rug pad under the area rug will provide extra cushion and added protection.

* *Reproachable Part*