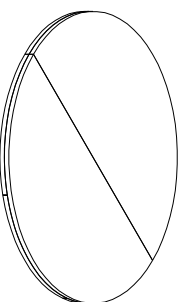
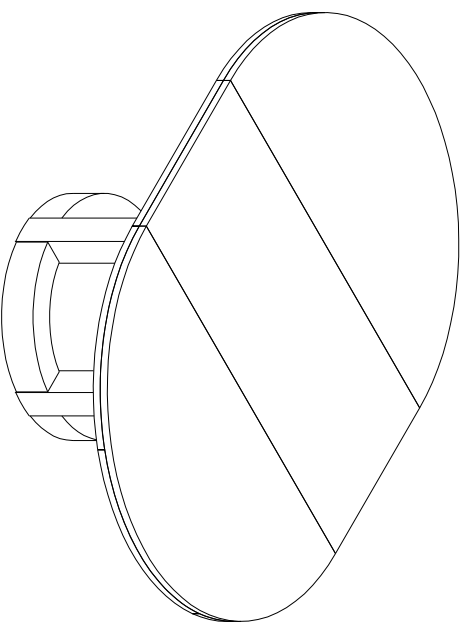


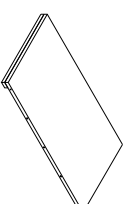
PARTS LIST / LISTE DES PIÈCES / LISTA DE PIEZAS

ITEM NO./ NO D'ARTICLE / ARTICULO NO. : P378230/231

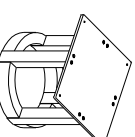
DESCRIPTION/ LA DESCRIPTION / DESCRIPCIÓN : Round Table Base / Base de table ronde / Basa de mesa redonda
Round Table Top / Dessus de table ronde / Tablero de mesa redonda



A
x1 Table Top
x1 Dessus de table
x1 Tablero de mesa



B
x1 Table Leaf
x1 Panneau de table
x1 Extensión



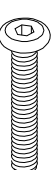
C
x1 Table base *
x1 Base de table
x1 Base de mesa



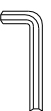
D
x4 Flat Washer $\phi 5/16"$ x1.9x2mm *
x4 Rondelle plate $\phi 5/16"$ x1.9x2mm
x4 Arandela plana $\phi 5/16"$ x1.9x2mm



E
x4 Lock washer $\phi 5/16"$ *
x4 Rondelle de blocage $\phi 5/16"$
x4 Arandela de Seguridad $\phi 5/16"$



F
x4 Allen bolt $\phi 5/16"$ x51mm *
x4 Vis à tête creuse hexagonale $\phi 5/16"$ x51mm
x4 Perno Allen $\phi 5/16"$ x51mm



G
x1 Allen Key 5mm *
x1 Clé hexagonale 5mm
x1 Llave Allen 5mm

* Replaceable Part

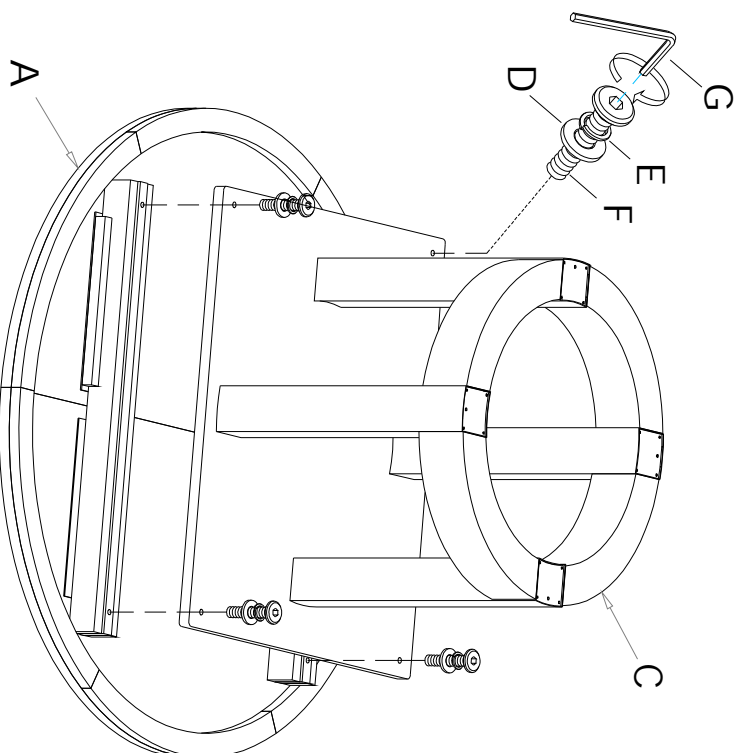
ASSEMBLY INSTRUCTIONS/ NOTICE DE MONTAGE/ INSTRUCCIONES DE MONTAJE

ITEM NO./ NO D'ARTICLE/ ARTICULO NO. : P378230/231

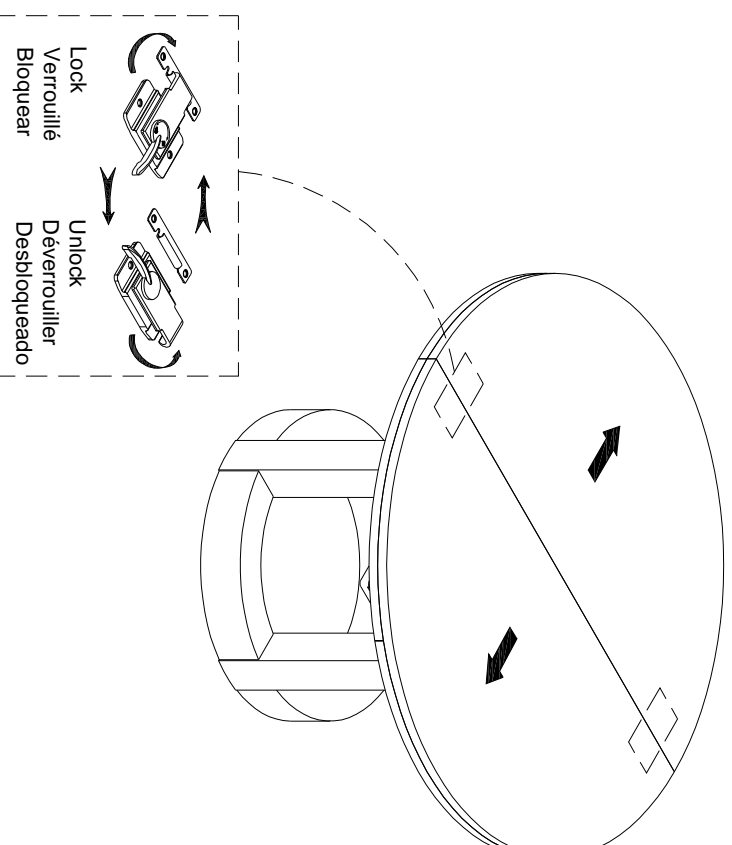
DESCRIPTION/ LA DESCRIPTION /DESCRIPCION : Round Table Base / Base de table ronde / Base de mesa redonda

Round Table Top / Dessus de table ronde / Tablero de mesa redonda

STEP 1
ÉTAPE 1
PASO 1



STEP 2
ÉTAPE 2
PASO 2



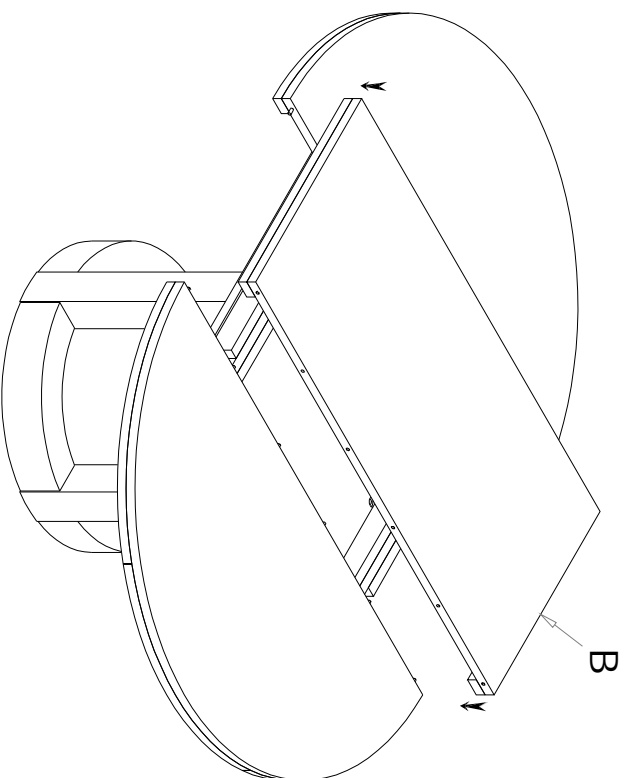
* Replaceable Part

ASSEMBLY INSTRUCTIONS/ NOTICE DE MONTAGE/ INSTRUCCIONES DE MONTAJE

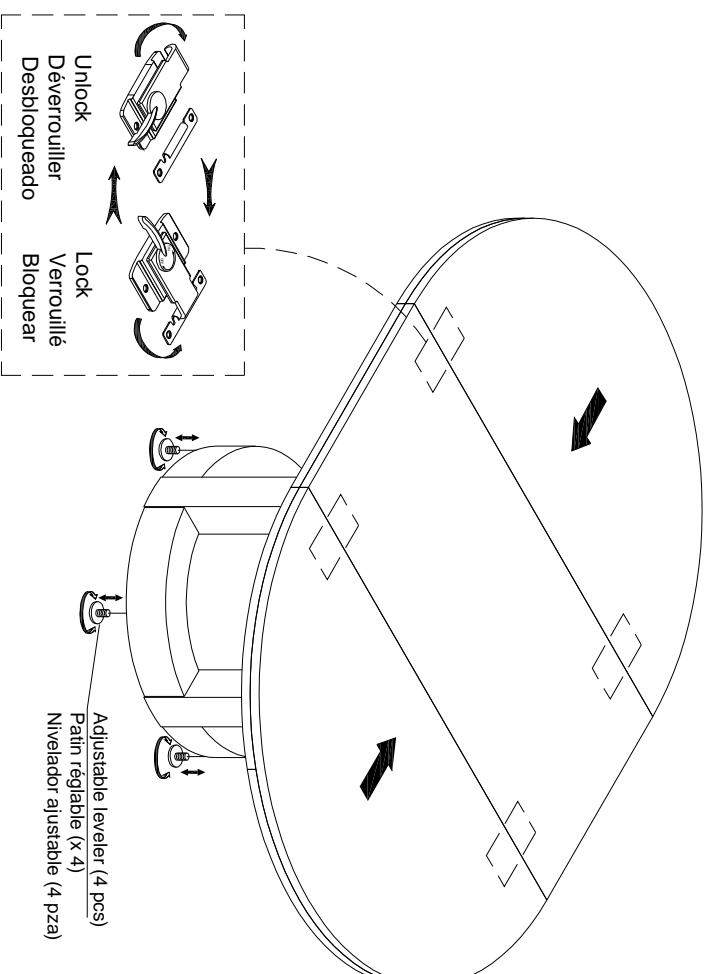
ITEM NO./ NO D'ARTICLE/ ARTICULO NO. : P378230/231

DESCRIPTION/ LA DESCRIPTION /DESCRIPCION : Round Table Base / Base de table ronde / Basa de mesa redonda
 Round Table Top / Dessus de table ronde / Tablero de mesa redonda

STEP 3
 ÉTAPE 3
 PASO 3



STEP 4
 ÉTAPE 4
 PASO 4

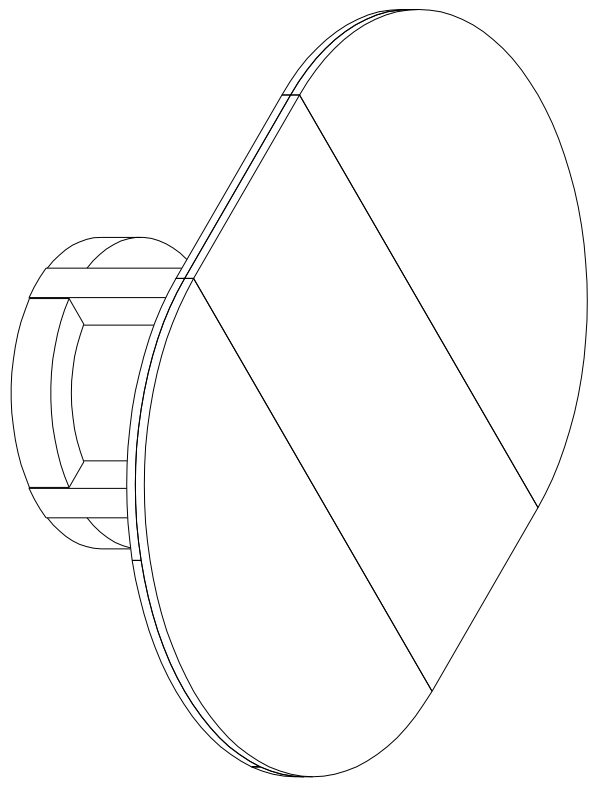


* Replaceable Part

REPLACEABLE PART / PARTIE REMPLAÇABLE / PARTE REEMPLAZABLE

ITEM NO. / NO D'ARTICLE / ARTICULO NO. : P378230/231

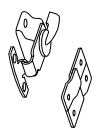
DESCRIPTION / LA DESCRIPTION / DESCRIPCIÓN : Round Table Base / Base de table ronde / Basa de mesa redonda
Round Table Top / Dessus de table ronde / Tablero de mesa redonda



x1 RP378230-HWKIT-Hardware Kit *
Liste des pièces de quincaillerie
Lista del kit de materiales



x4 RC-FG-WHITE-White Leveler *
Patin réglable
Nivelador



x4 RC-SMV-LOCK-Common SMV Table Lock *
Verrouille
Bloquear

* Replaceable Part

Protect Your Wood or Laminate Flooring

* This statement applies to any floor without carpet.

If not careful, all furniture including upholstery and case pieces can scratch, scuff and even gouge floors. The recommendation is to have felt, rubber pads or area rugs under furniture on flooring without carpet.

Moving your furniture

Pushing and dragging furniture over floor without carpet can lead to scratches and scuffs. Have someone help when moving the larger pieces of furniture by lifting, try using a dolly or moving pads.

Felt and rubber pads

Applying furniture pads to the feet of furniture helps cushion contact points. Furniture pads can be found at local hardware stores. Felt pads slide easily across the floor, making them ideal for dining chairs and other pieces that move with use. Rubber pads will help furniture stay in place and are perfect for larger pieces, like sofas and loveseats.

Area rugs and rug pads

Using an are rug under furniture is another way to protect your floor from scratches and scuff marks. A rug pad under the area rug will provide extra cushion and added protection.

* *Replaceable Part*