

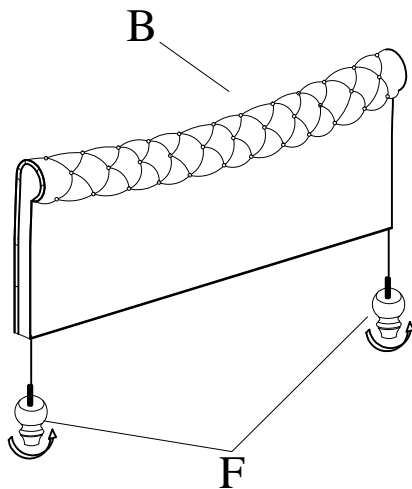
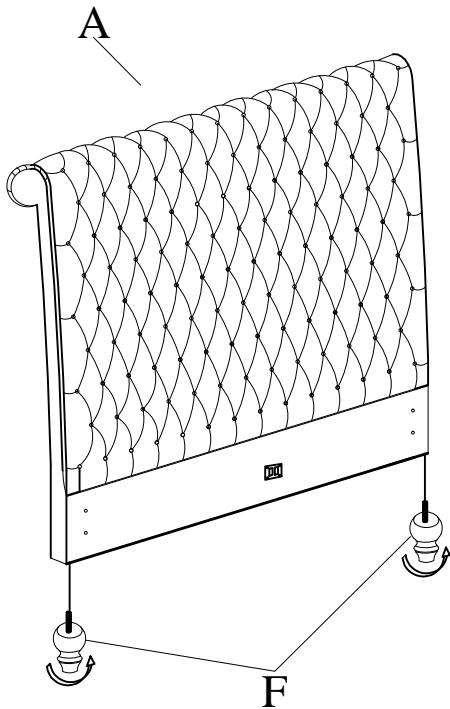
ASSEMBLY INSTRUCTIONS

Item No:BJAC#8000/BJAC#9000/BJAC#9500

Description:JACKIE QUEEN/KING /CAL.KING BED

Thank you for purchasing this quality product. Be sure to check all packing material carefully for small parts that may have come loose inside the carton during shipment.









Step1: Assembly HB(A),FB(B) with Leg(F).












TOOLS REQUIRED(NOT PROVIDED)

 Philips Screwdriver

PARTS LIST:

No.	Description	Sketch	Quantity
A	Headboard		1 PC
B	Footboard		1 PC
C	Side Rail		2PCS
D	Center Rail		1 PC
E	Center Rail Support Leg		3PCS
E1	Slat Support Leg		8PCS
F	Leg		4PCS
G	Slats		4PCS

HARDWARE LIST:

No.	Description	Sketch	Size	Quantity
H	Bolt		Ø5/16"*2-1/2"	4PCS
I	Bolt		Ø5/16"*1-1/2"	15PCS
J	Allen Key		M5*4"	1PC
K	Spring Washer		Ø5/16"	8PCS
L	Flat Washer		Ø5/16"	27PCS
M	Screw		Ø8*1"	4PCS
N	Screw		Ø8*1-1/2"	8PCS
O	Spanner		M12	1PC
P	Nut		M12	4PCS

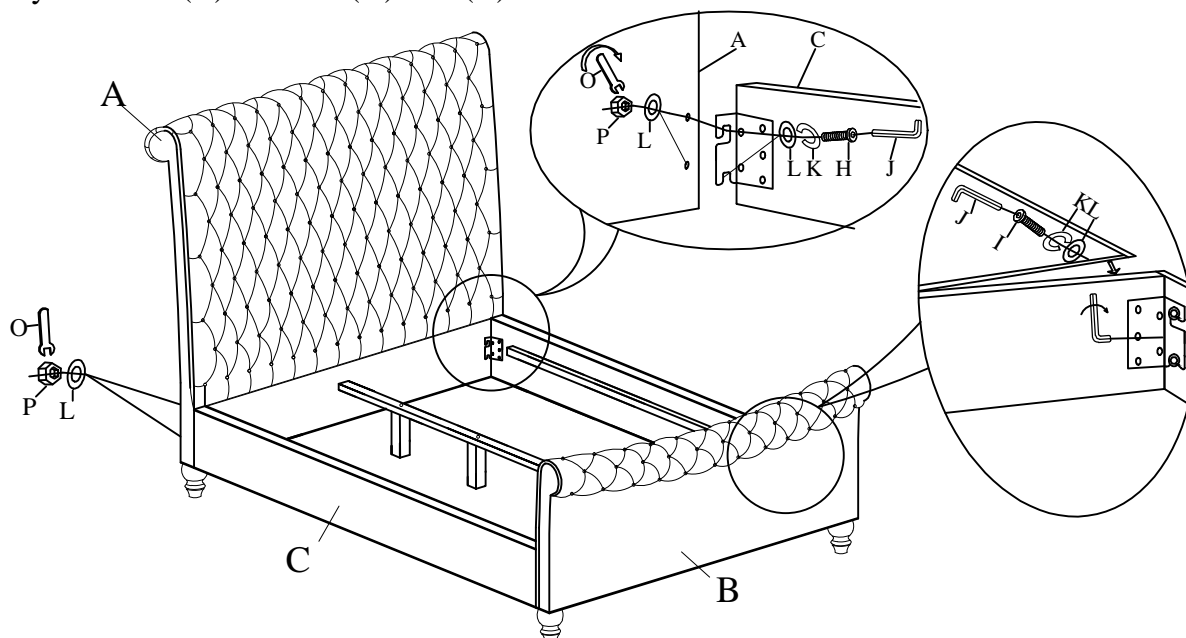
ASSEMBLY INSTRUCTIONS

Item No:BJAC#8000/BJAC#9000/BJAC#9500

Description:JACKIE QUEEN/KING /CAL.KING BED

Thank you for purchasing this quality product. Be sure to check all packing material carefully for small parts that may have come loose inside the carton during shipment.

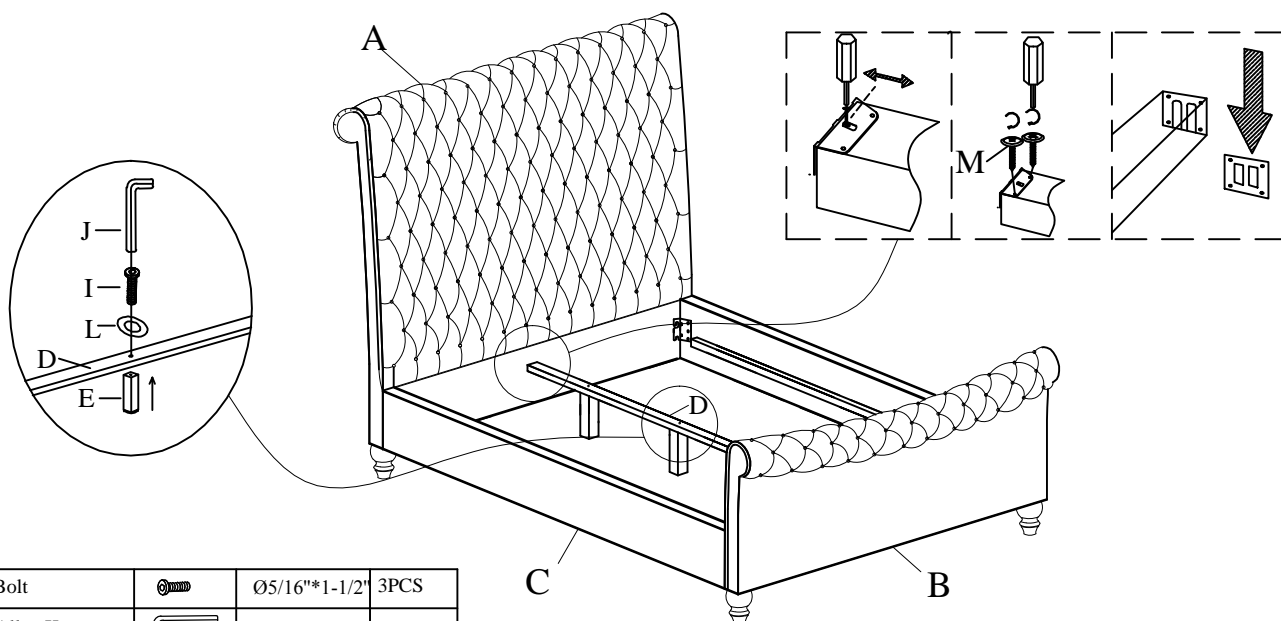
Step2: Assembly Side Rail(C) with HB(A)&FB(B).



L	Flat Washer		Ø5/16"	12PCS
K	Spring Washer		Ø5/16"	8PCS
O	Spanner		M12	1PC
P	Nut		M12	4PCS

H	Bolt		5/16"*2-1/2"	4PCS
I	Bolt		5/16"*1-1/2"	4PCS
J	Allen Key		M5	1PC

Step3: Assembly Center Rail(D) with HB(A)&FB(B).



I	Bolt		Ø5/16"*1-1/2"	3PCS
J	Allen Key		M5*4"	1PC
L	Flat Washer		Ø5/16"	3PCS
M	Screw		Ø8*1"	4PCS

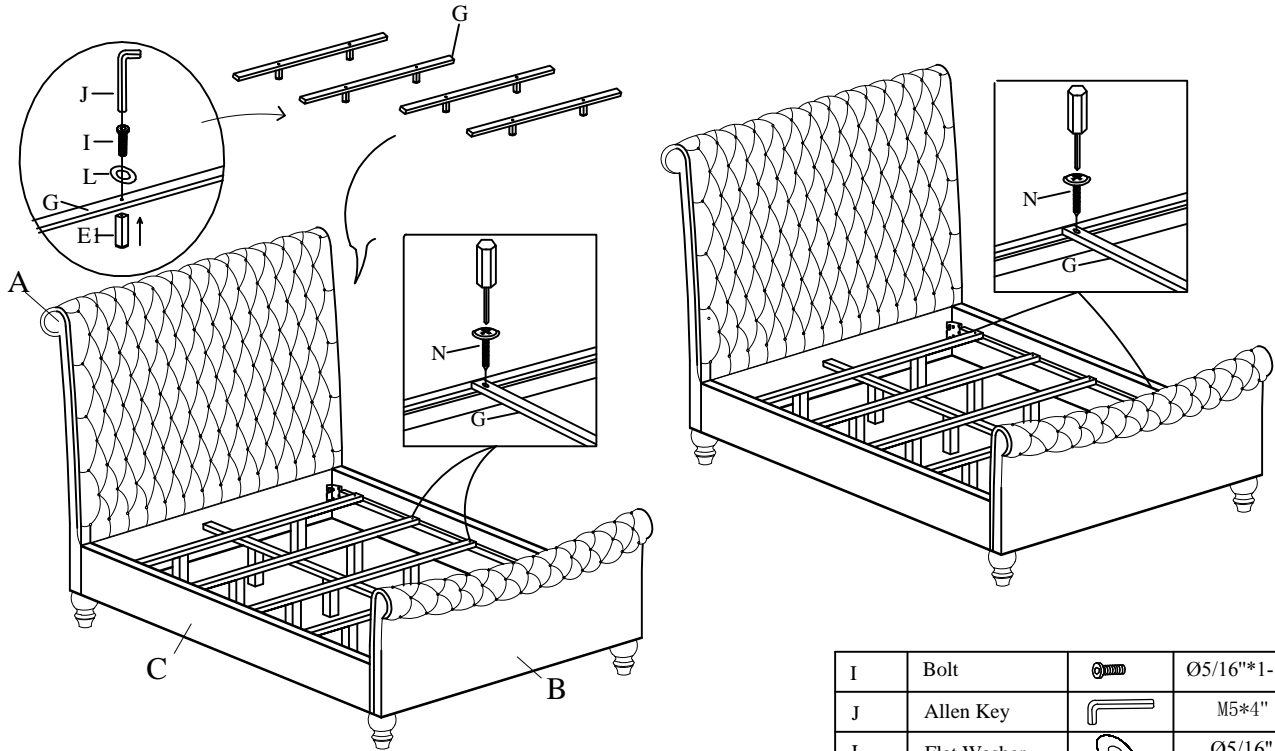
ASSEMBLY INSTRUCTIONS





Item No:BJAC#8000/BJAC#9000/BJAC#9500

Description:JACKIE QUEEN/KING /CAL.KING BED

Thank you for purchasing this quality product. Be sure to check all packing material carefully for small parts that may have come loose inside the carton during shipment.

Step 4: Assembly slat(G) with side Rail(C).



I	Bolt		Ø5/16"*1-1/2"	8PCS
J	Allen Key		M5*4"	1PC
L	Flat Washer		Ø5/16"	8PCS
N	Screw		Ø8*1-1/2"	8PCS

Step 6: Completed assembly for a regular bed.

