



Parker House
FURNITURE

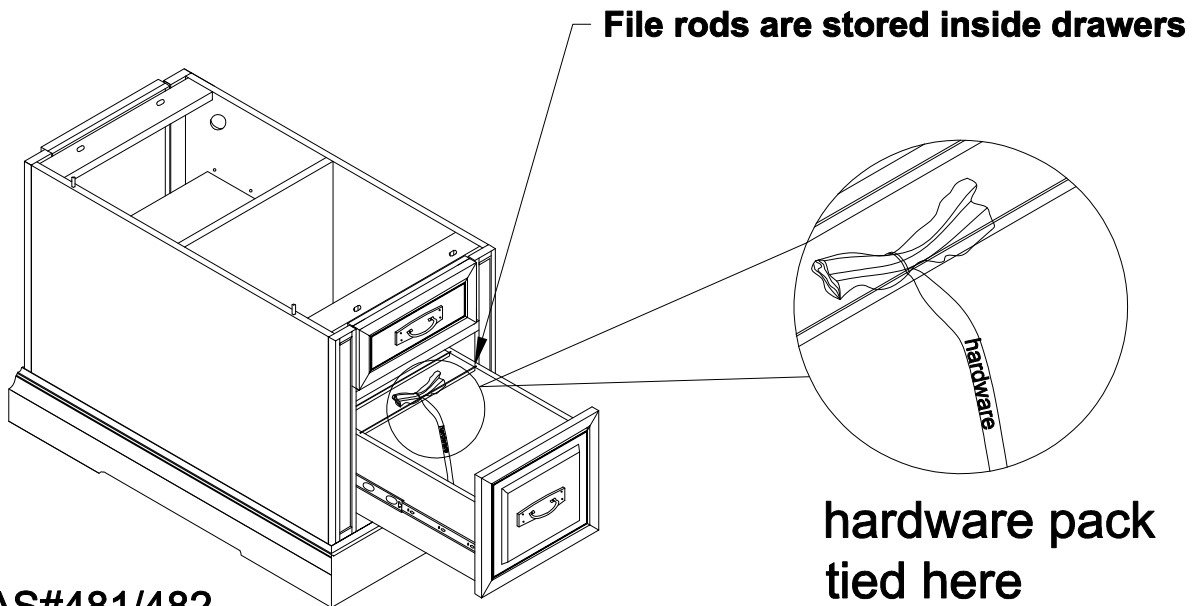
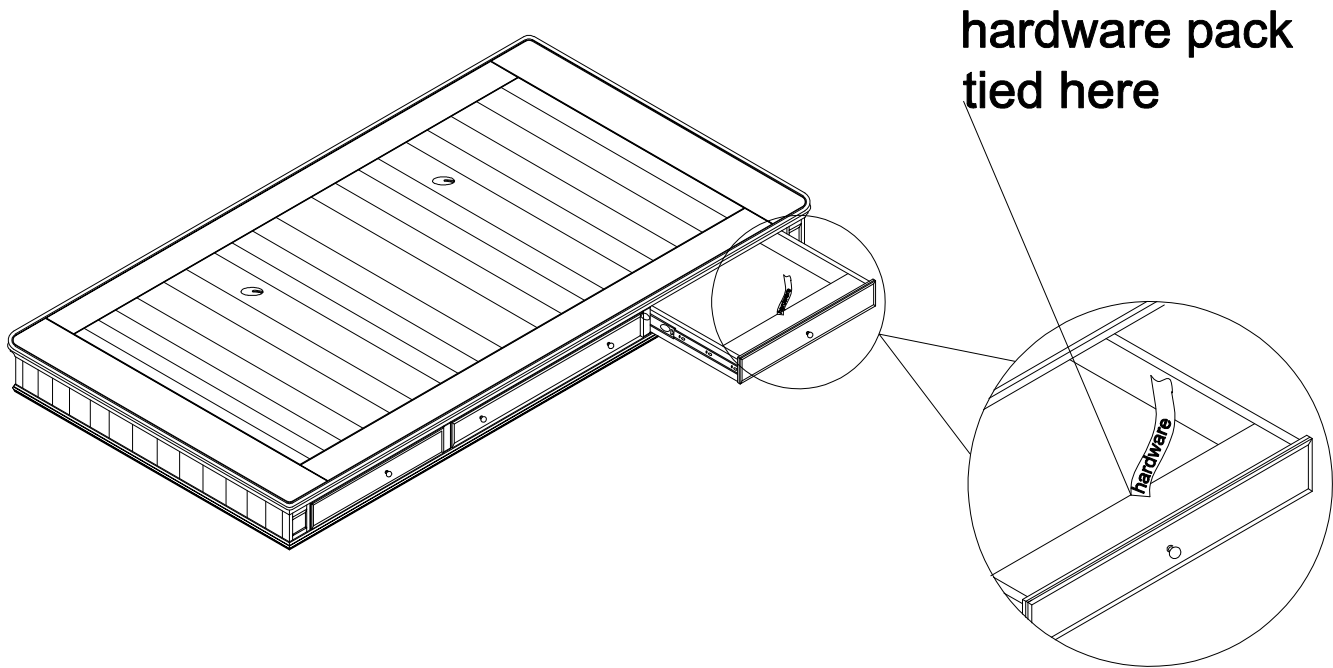
Assembly Instruction

Item NO:WAS#480/481/482

Description:Executive Desk Top / Desk Pedestal

211108

Components and Hardware package location diagram





Parker House
FURNITURE

Assembly Instruction

Item NO:WAS#480/481/482

Description:Executive Desk Top / Desk Pedestal

211108

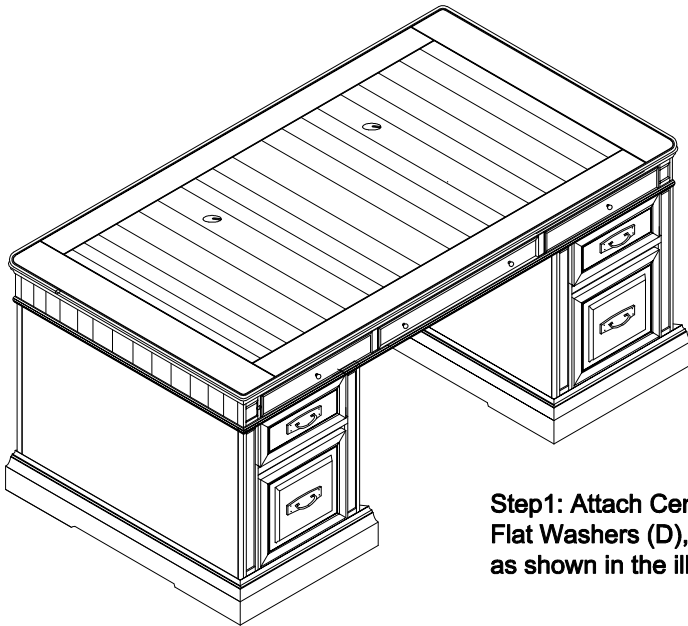
NO	Description	Sketch	QTY
A	Allen Wrench 4mm		1
B	Bolt Ø1/4**1-1/4"		4
C	Bolt Ø1/4**1-1/2"		8
D	Flat Washer Ø1/4**19mm		12
E	Lock Washer Ø1/4"		12
F	Wiring Grommet		2

Pre-installation notes:

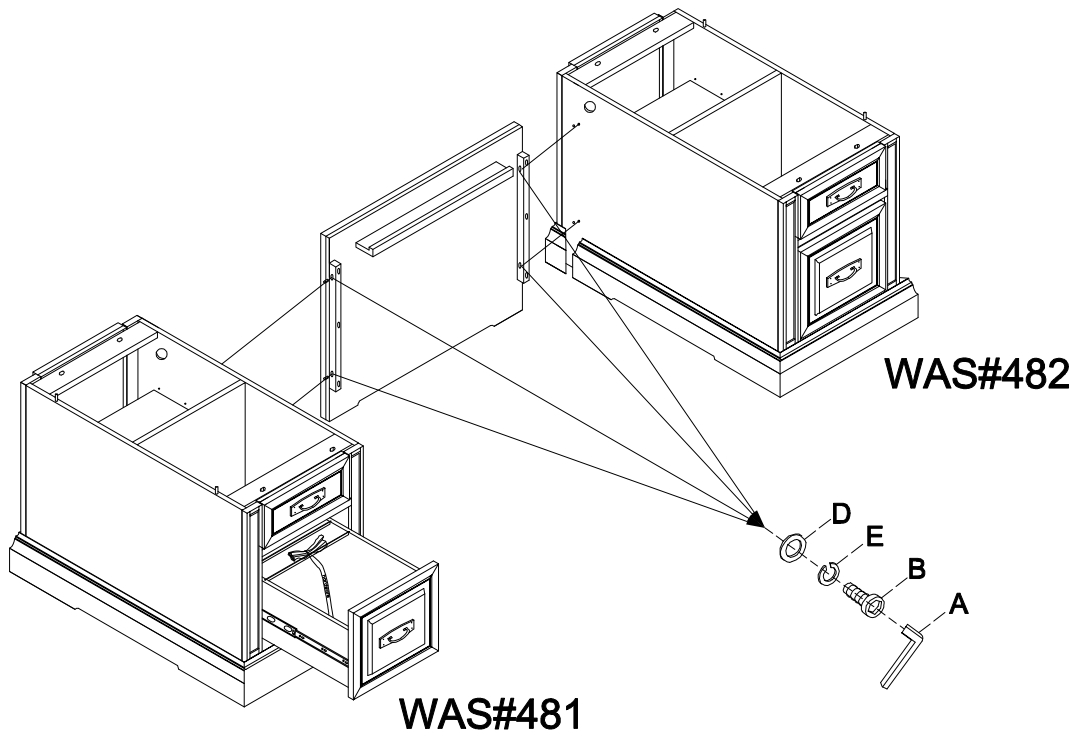
Always assemble desk in its final resting position.

Level pedestals before connecting together.

It is highly recommended to place all power cords, power strips, or extension cords prior to full assembly for ease.



Step1: Attach Center Base Panel using Bolt (B), Lock Washers (E), Flat Washers (D), securely to Left Right Base Pedestals using Wrench(A) as shown in the illustration left.





Parker House
FURNITURE

Assembly Instruction

Item NO:WAS#480/481/482

Description:Executive Desk Top / Desk Pedestal

211108

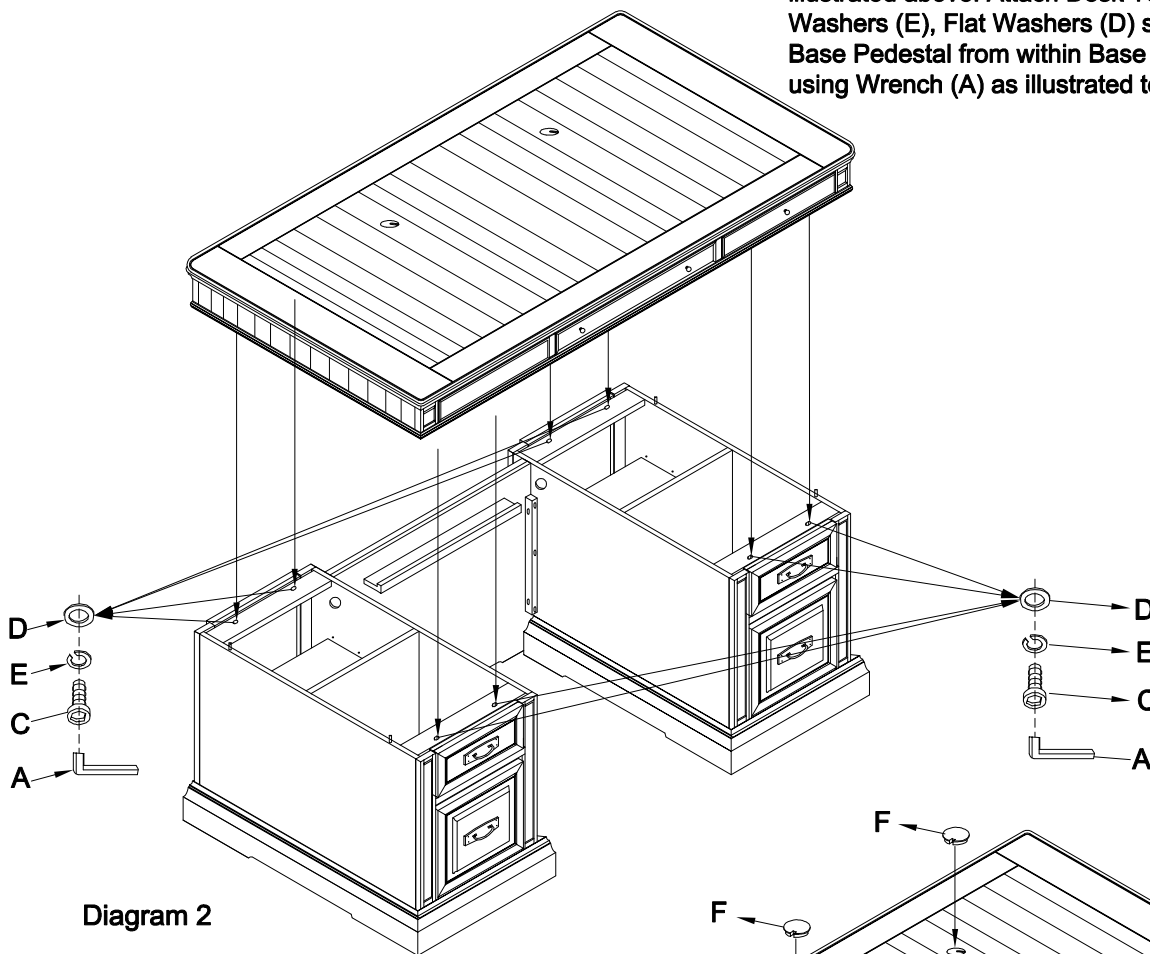
Pre-installation notes:

Always assemble desk in its final resting position.

Level pedestals before connecting together.

It is highly recommended to place all power cords, power strips, or extension cords prior to full assembly for ease.

Step2:Place Desk Top on base Pedestals, positioning Desk Top drawer between Base Pedestals. Attach Desk Top using Bolts (C), Lock Washers (E), Flat Washers (D) securely to Left Right Base Pedestals from within Base Pedestal top drawers using Wrench (A) as illustrated above. Attach Desk Top using Bolt (C), Lock Washers (E), Flat Washers (D) securely to Left Right Base Pedestal from within Base Pedestals top drawer using Wrench (A) as illustrated to the left.



Step3: Place wire Grommet (F) in wire access hole found on desk's Top to complete setup as illustrated to the right.

