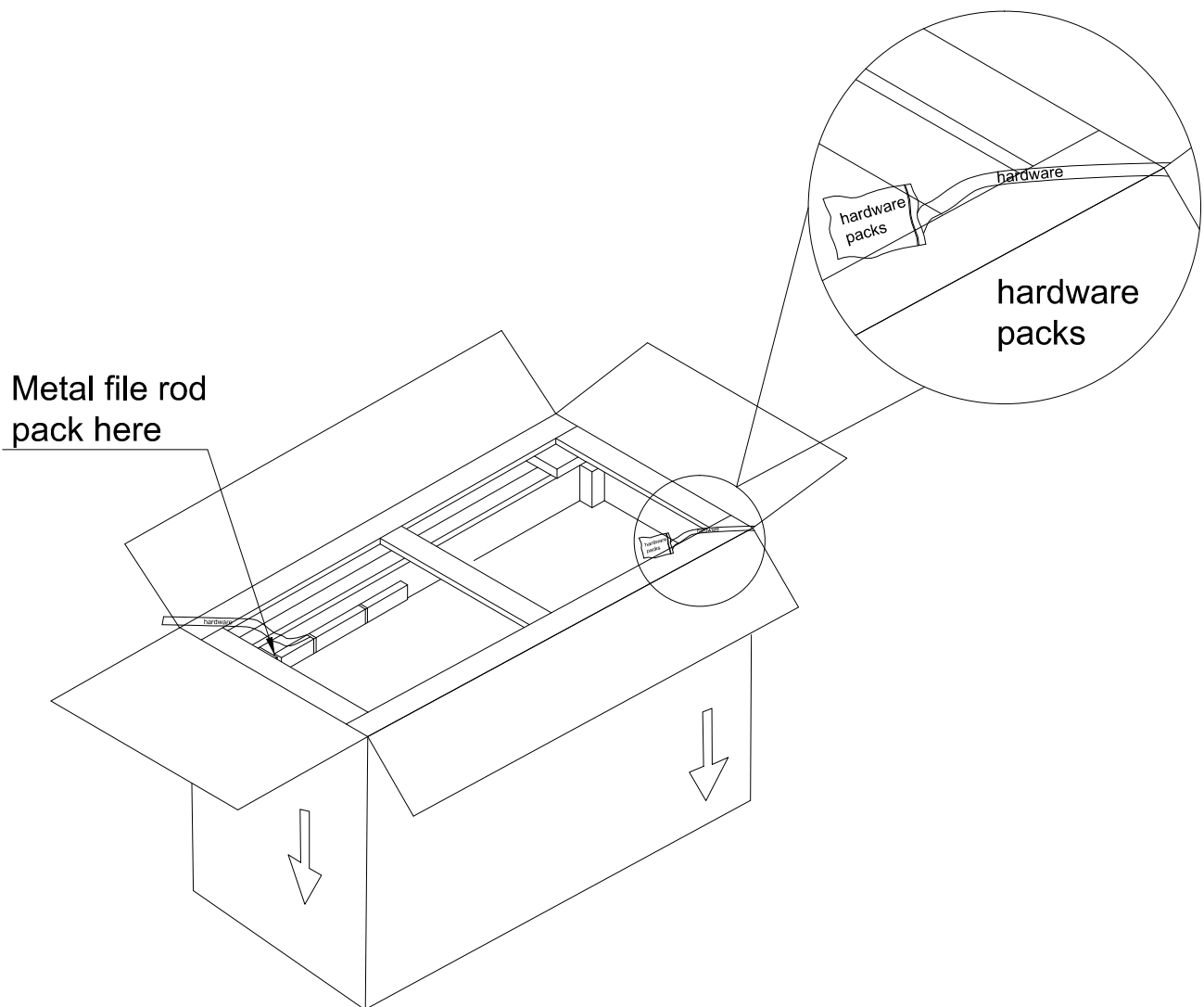


Components and Hardware package location diagram






Assembly Instruction

Item NO:WAS#476

Description:Lateral File w/Finished Back

Revised:2021-07-28

| NO | Description | Sketch | Q'TY |
|----|--------------------------|---|------|
| A | Allen Wrench 4mm |  | 1 |
| B | Connector Bolt Ø1/4"*1" |  | 2 |
| C | Connector Cap Ø1/4"*5/8" |  | 2 |

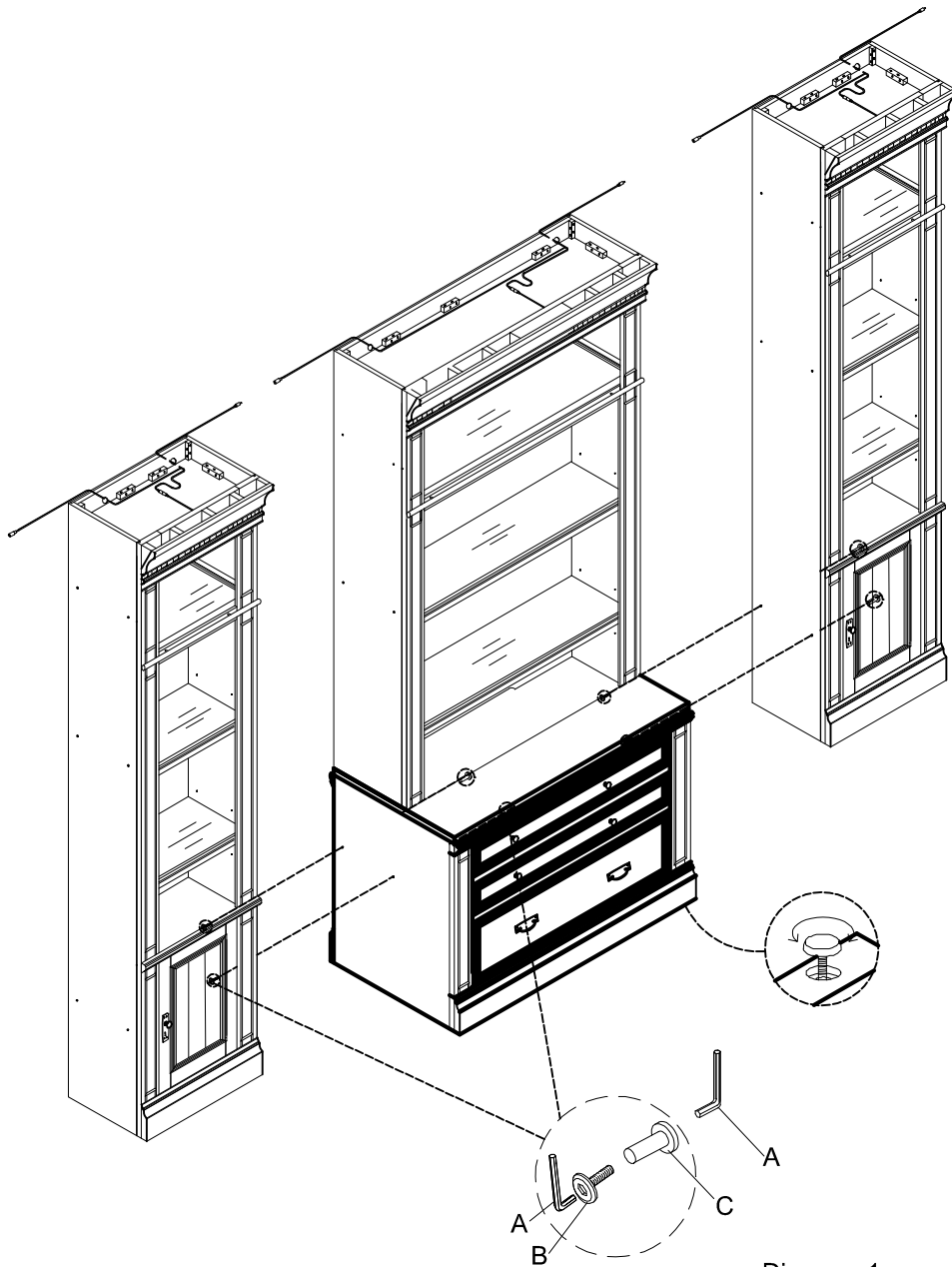


Diagram 1

Align and connect cabinets with Connector Bolt B and Connector Cap C. See Diagram 1.