



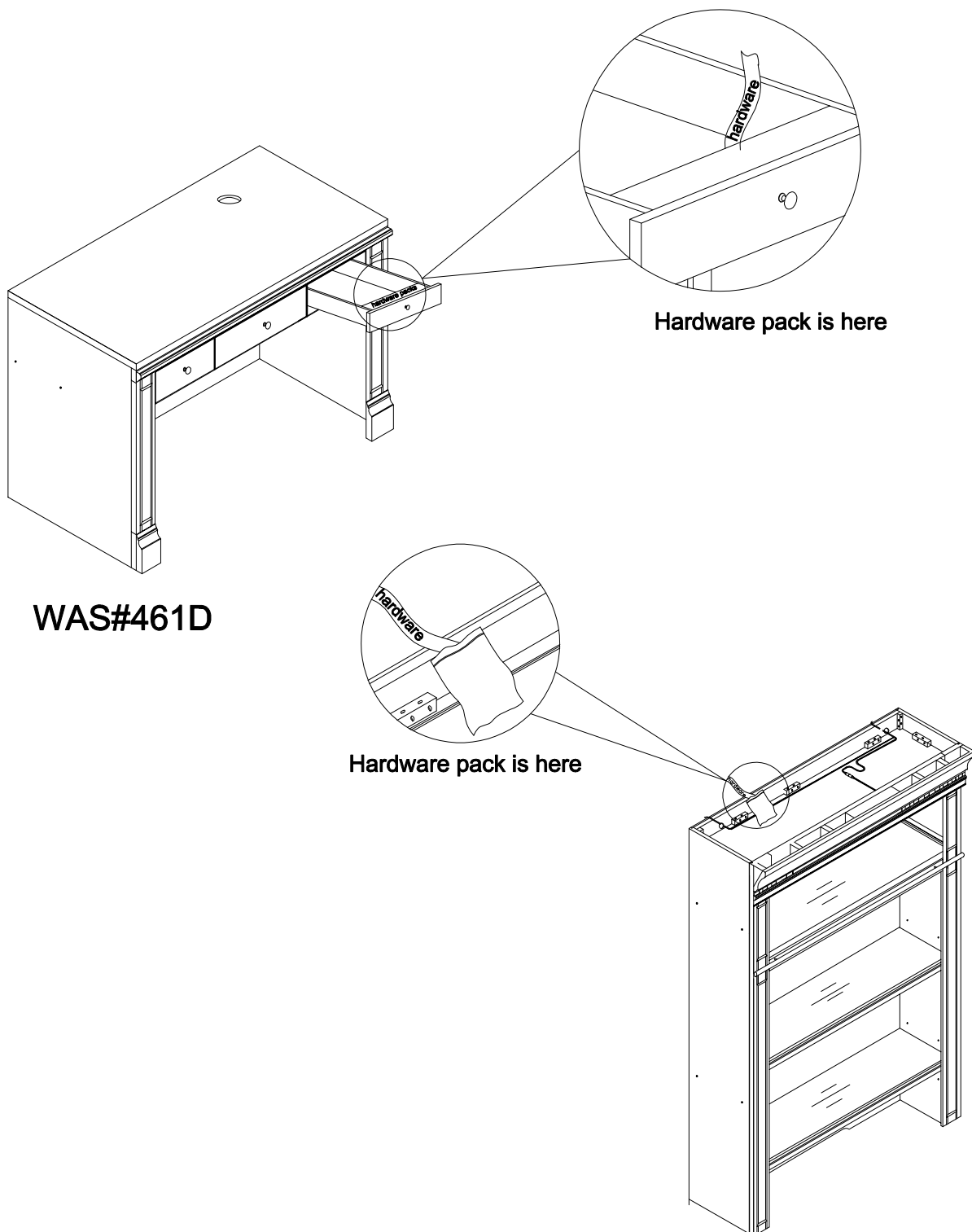
Parker House
FURNITURE

Assembly Instruction

Item NO:WAS#460H/461D
Description:Library Hutch/Desk

211108

Components and Hardware package location diagram



WAS#461D

For your safety, once wall is fully assembled, secure to wall Wall Strap E.



Parker House
FURNITURE

Assembly Instruction

Item NO:WAS#460H/461D
Description:Library Hutch/Desk

211108

NO	Description	Sketch	Q'TY	NO	Description	Sketch	Q'TY
A	Allen Wrench 4mm		1	N	Wire buckle		2
B	Flat Washer Ø1/4**16mm		13	O	Screw M6*3/8"		2
C	Lock Washer Ø1/4"		13				
D	Connector Bolt Ø1/4**1-1/4"		9				
E	Connector Bolt Ø1/4**2"		4				
F	Connector Bolt Ø1/4**1"		2				
G	Connector Cap Ø1/4**5/8"		2				
L	Screw M6*5/8"		2				
M	Wiring Grommet		1				

Pre-installation notes:

- Always build out from the inside corner part of your wall cabinet.
- With levelers found on all standing pieces, level all items before connecting together.

Begin With assembly of
WAS#461D

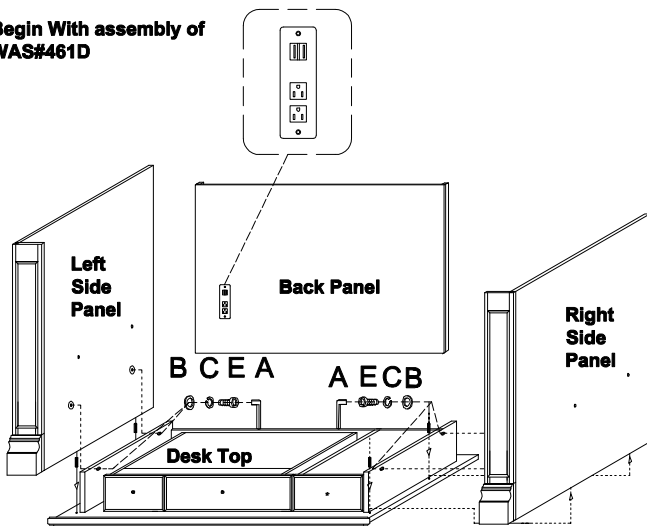


Diagram 1

Step 1 Place Desk Top face down on soft surface, Attach Left Side Panel using Bolt E, Lock Washer C & Flat Washer B securely to the Desk Top with Allen Wrench A as shown in the illustration to the left. Repeat procedure to attach Right Side Panel to Desk Top. Secure Wire Management Buckle N to rear of drawer with Screw O.

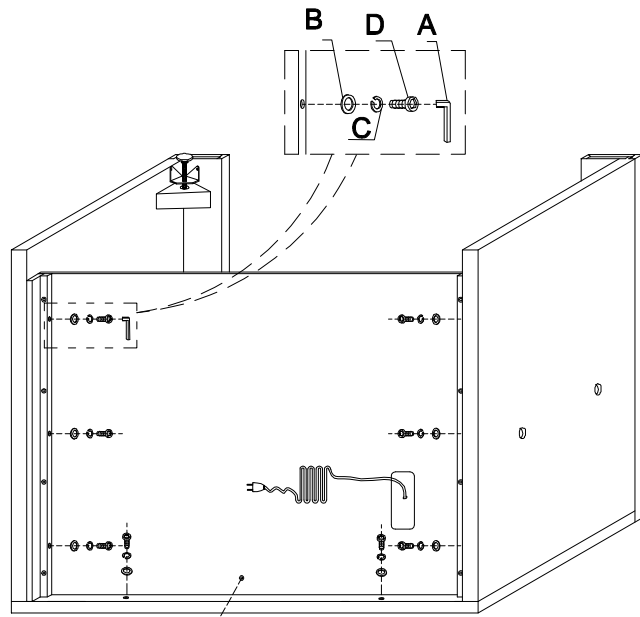


Diagram 2

Step 2 Place Back Panel between already attached Left and Right Side Panels, securing into position by using Bolt D, Lock Washers C, & Flat Washers B with Allen Wrench A as shown in the illustration to the right.

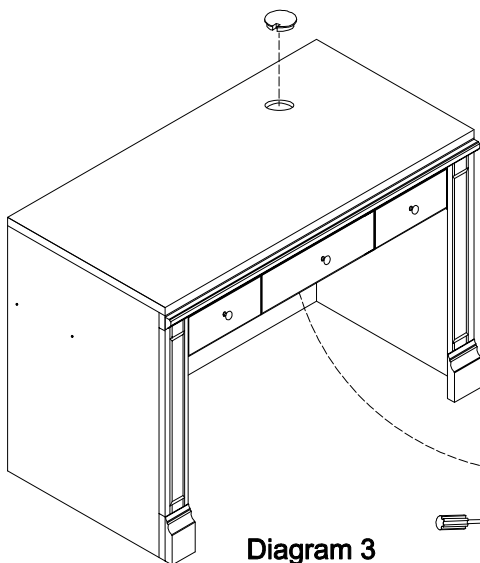


Diagram 3

Step 3 Carefully turn the fully assembled Desk upright Insert Wire Grommet M into wire hole on desk's top.



Parker House
FURNITURE

Assembly Instruction

Item NO:WAS#460H/461D
Description:Library Hutch/Desk

211108

NO	Description	Sketch	Q'TY	NO	Description	Sketch	Q'TY
A	Allen Wrench 4mm		1	H	Bolt Ø5/32**1-1/2"		2
B	Allen Wrench 2.5mm		1	I	Decoration Bolt Cap		2
C	Ladder Rail Coupler		1	J	Allen Wrench 5mm For Electric Drill		1
D	Ladder Rail Finial		2	K	Connector Bolt Ø2.5mm		2
E	Wall Strap		1				
F	Connector Bolt Ø1/4**1"		4				
G	Connector Cap Ø1/4**5/8"		4				

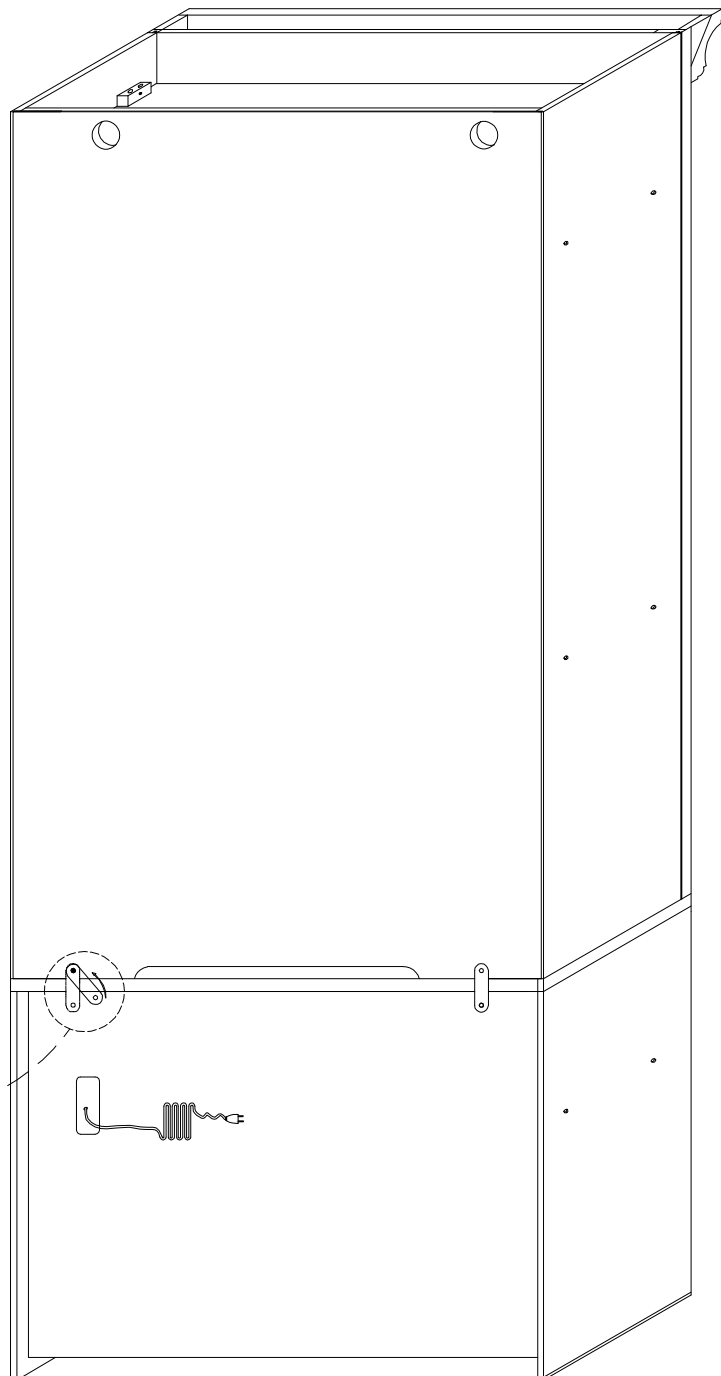


Diagram 4

Step 4 Carefully place Hutch on top of Desk, aligning rear corners. Loosen screw on coupling plate found on the back of Hutch, rotate 90° clockwise, retighten screw. Using Screw I, secure coupling plate to rear of Desk Top as shown above.



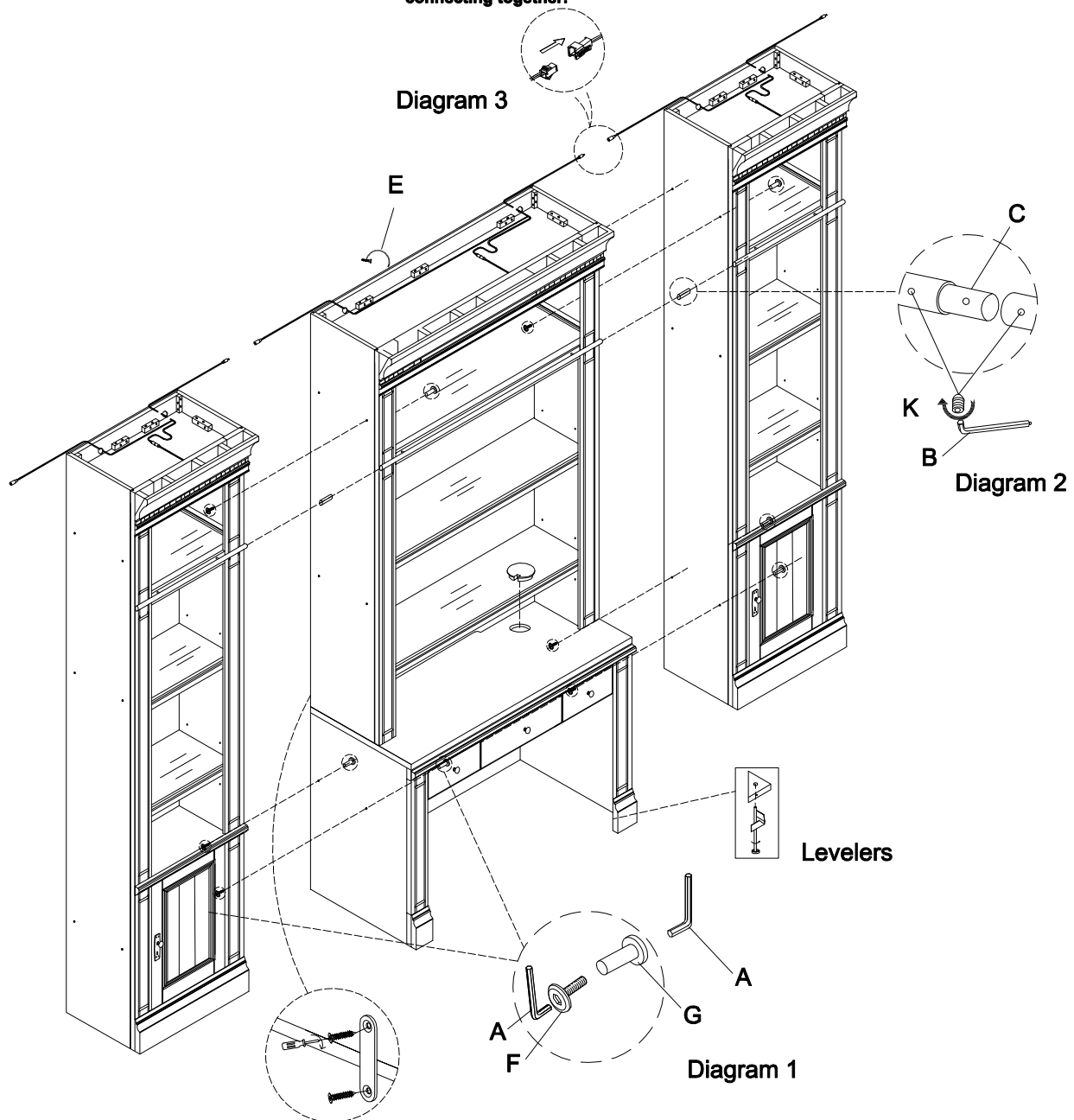
Parker House
FURNITURE

Assembly Instruction

Item NO:WAS#460H/461D
Description:Library Hutch/Desk

211108

NO	Description	Sketch	Q'TY	NO	Description	Sketch	Q'TY
A	Allen Wrench 4mm		1	H	Bolt Ø5/32**1-1/2"		2
B	Allen Wrench 2.5mm		1	I	Decoration Bolt Cap		2
C	Ladder Rail Coupler		1	J	Allen Wrench 5mm For Electric Drill		1
D	Ladder Rail Finial		2	K	Connector Bolt Ø2.5mm		2
E	Wall Strap		1	Pre-installation notes: <ul style="list-style-type: none"> • Always build out from the inside corner part of your wall cabinet. • With levelers found on all standing pieces,level all items before connecting together. 			
F	Connector Bolt Ø1/4**1"		4				
G	Connector Cap Ø1/4**5/8"		4				



1. Align and connect cabinets with Connector Bolt F and Connector Cap G. See Diagram 1.

2. To connect ladder rails, loosen retaining screw found on each rail end, insert ladder rail coupler C about 1" on one side, and tighten. Align cabinets and push together, aligning ladder rail in the process. Tighten opposite retaining screw to secure ladder rail coupler. See Diagram 2.

3. Connect female and male airjack light cable to properly ensure power to all LED lights. See Diagram 3. Connect light Kit LTKIT#499 (sold separately) to right most cabinet by connecting remaining air jack cable to Control Box and securing Touch Cable to touch post located in front right corner of cabinet top. See assembly instruction sheet provided with LTKIT#499 for more details.

For your safety, once wall is fully assembled, secure to wall Wall Strap E.