



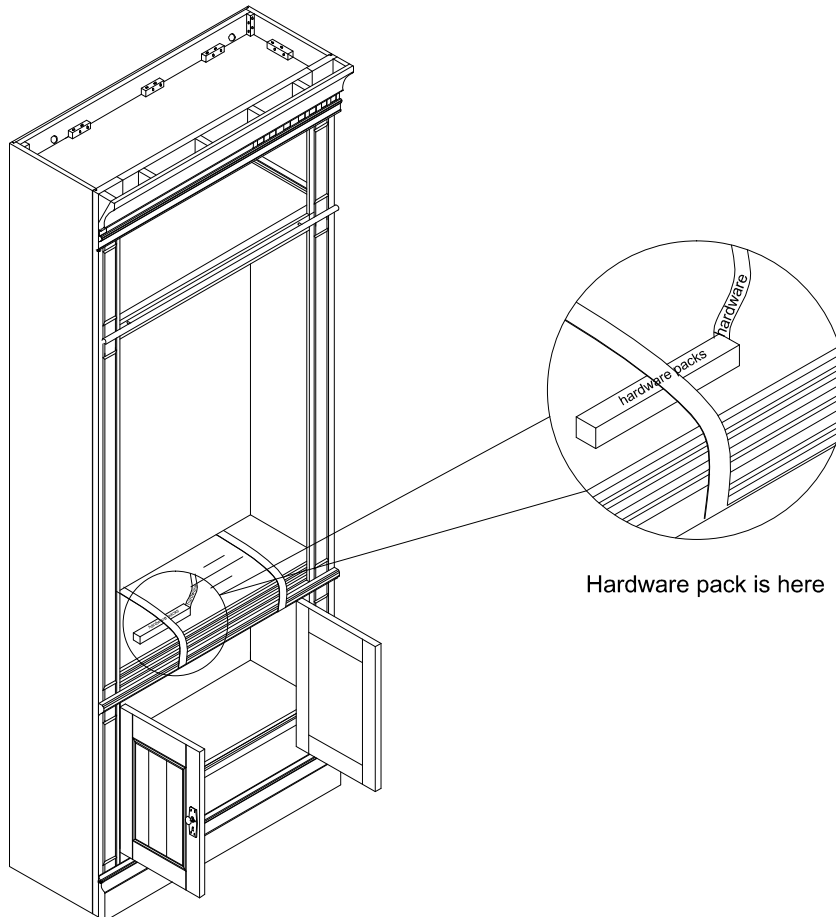
Parker House  
FURNITURE

# Assembly Instruction

Item NO:WAS#430  
Description:32"Open Top Bookcase

211108

## Components and Hardware package location diagram



**For your safety, once wall is fully assembled, secure to wall Wall Strap E.**