



Parker House
FURNITURE

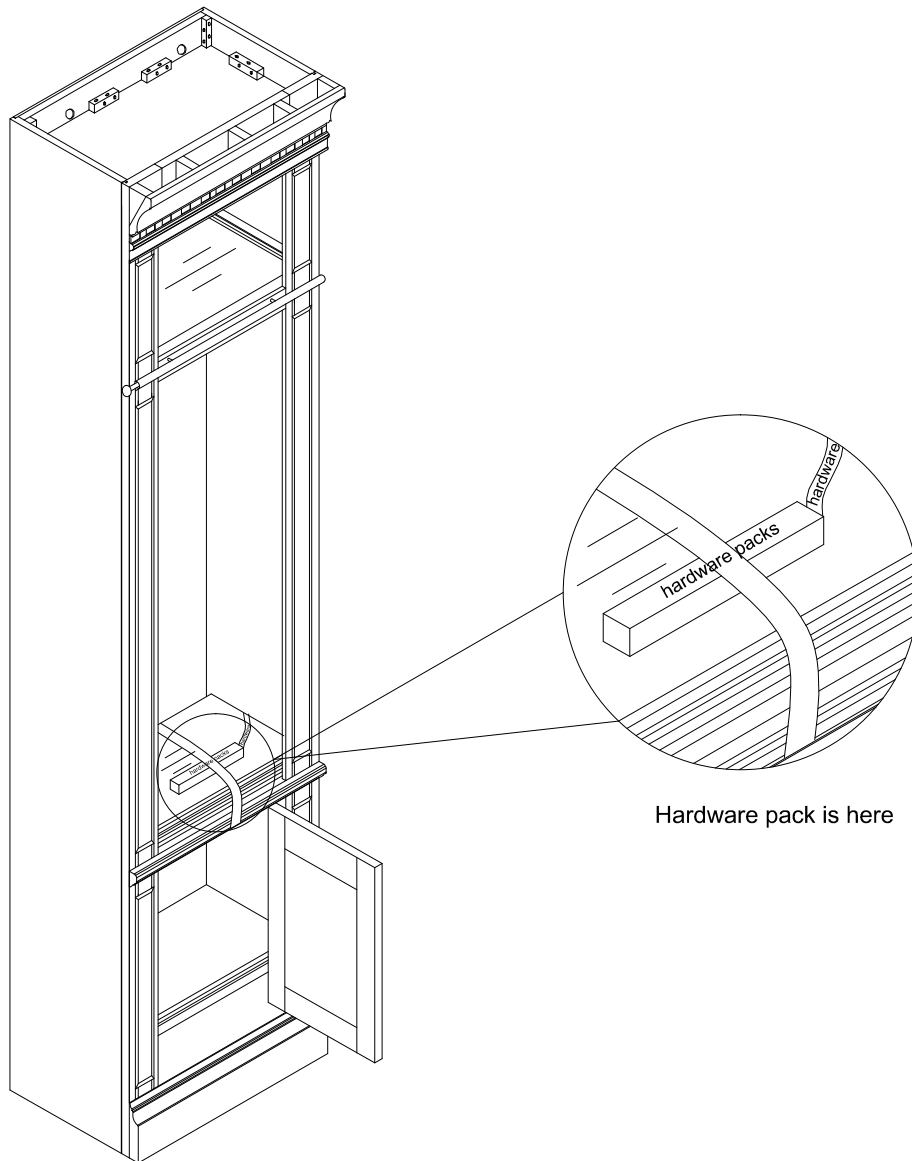
Assembly Instruction

Item NO:WAS#420

Description:22"Open Top Bookcase

211108

Components and Hardware package location diagram



Hardware pack is here

For your safety, once wall is fully assembled, secure to wall Wall Strap E.