



**Parker House**  
FURNITURE





# Assembly Instruction

Item No: TEM#347D

Description : 47IN. WRITING DESK

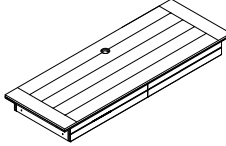
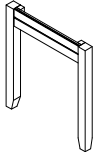
Rev 2 :2021-11-10

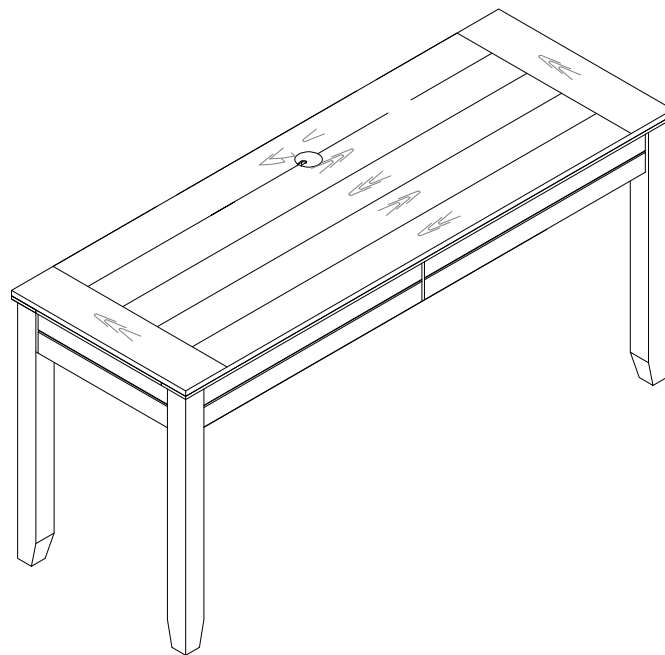
## HARDWARE LIST

No	Description	Sketch	Q'TY
A	Allen Wrench 4mm		1PC
B	Bolt Ø1/4"x35mm		8PCS
C	Lock Washer Ø1/4"x12mm		8PCS
D	Flat Washer Ø1/4"x16mm		8PCS

E	Metal Wire Grommet		1set
---	--------------------	---	------

## PARTS LIST

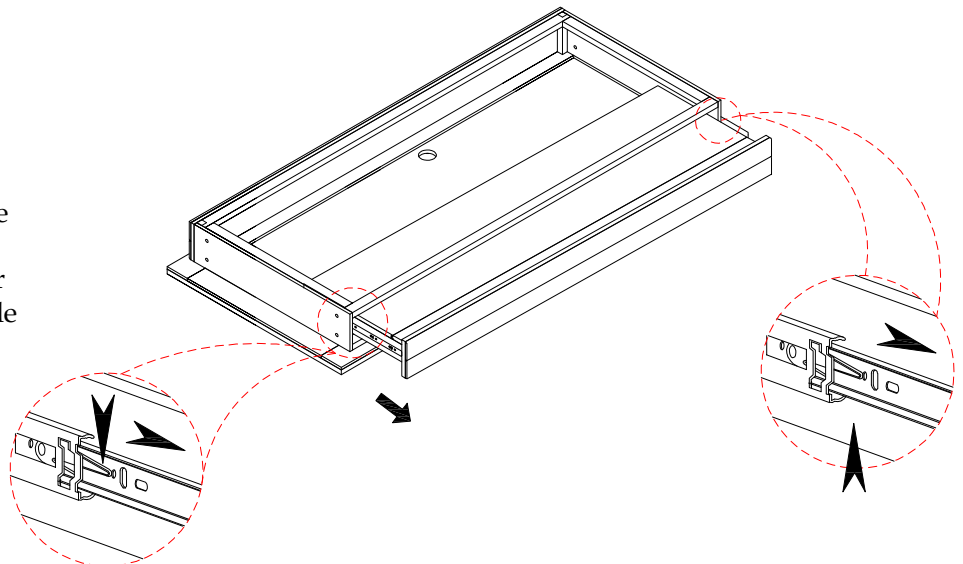
TABLE TOP (1PC)		LEG FRAME (2PCS)	
①		②	



### STEP 1

To remove the drawer :

- A. Pull the drawer fully open so the black lever is visible in the inside channel of the guides.
- B. Push 'down' on the right lever and 'up' on the left lever. While holding levers in place, pull drawer forward until slides release. If the slides will not release, push both levers in opposite directions.





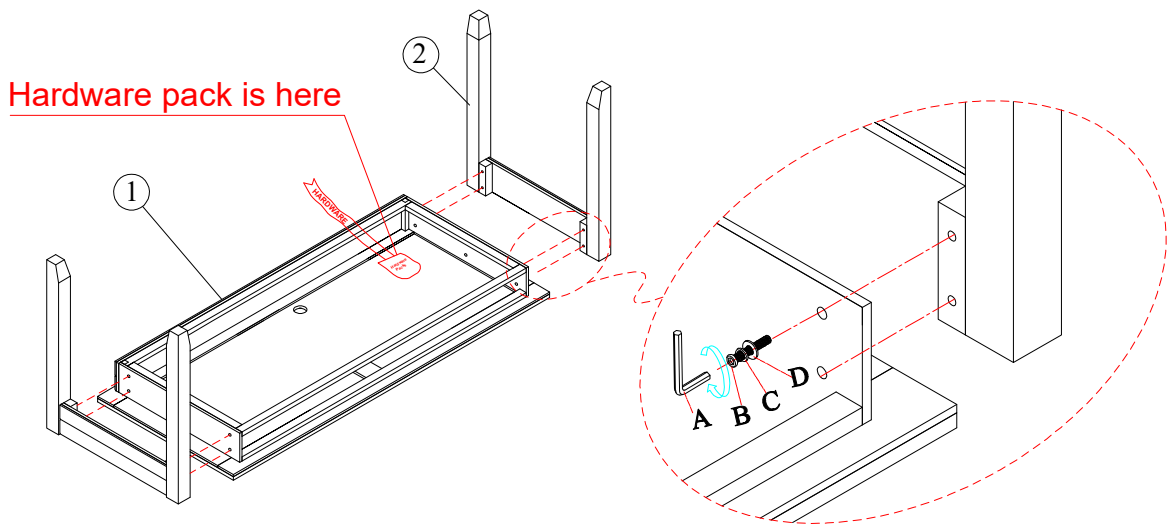
# Assembly Instruction

Item No: TEM#347D

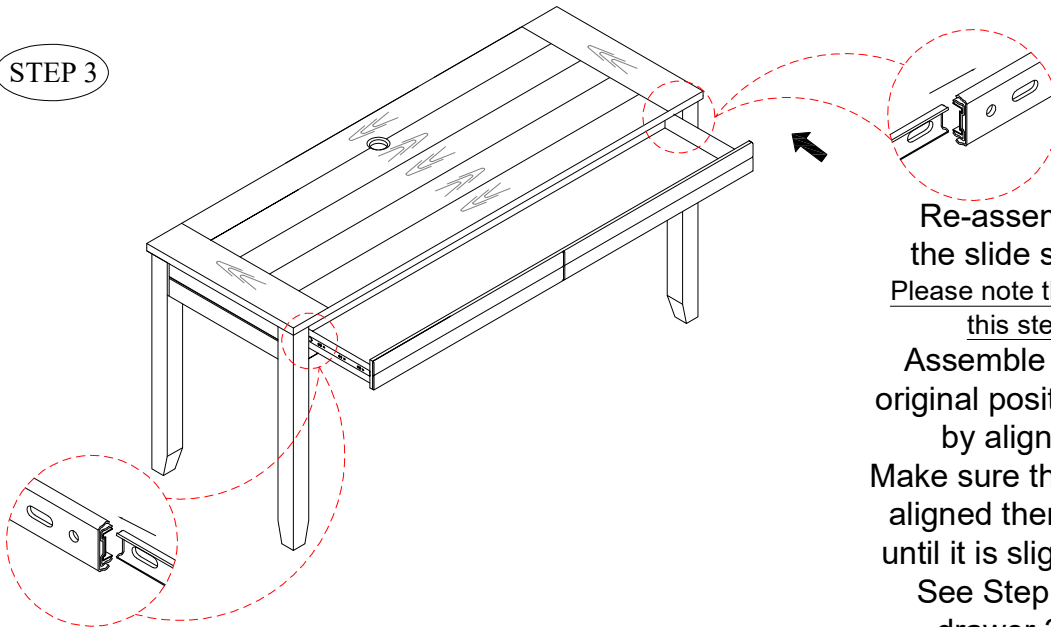
Description : 47IN. WRITING DESK

Rev 2 :2021-11-10

## STEP 2



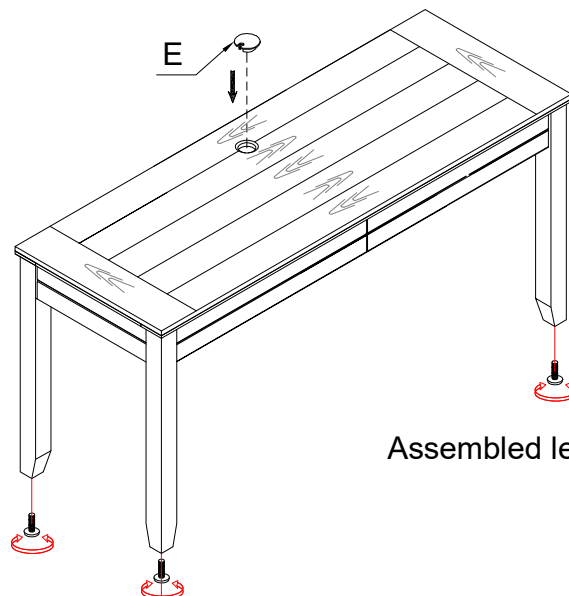
## STEP 3



Re-assemble the drawers onto the slide system of the desk top. Please note that 2 people are required for this step due to drawer's size

Assemble the drawer back into its original position of the Top Frame (1) by aligning the metal glides. Make sure that both sides are properly aligned then gently push the drawer until it is slightly stopped by the slide. See Step 3. Open and close the drawer 3 times to make sure the drawer operates smoothly.

## STEP 4



Assembled leveler = 4pcs