



**Parker House**  
FURNITURE










# Assembly Instruction

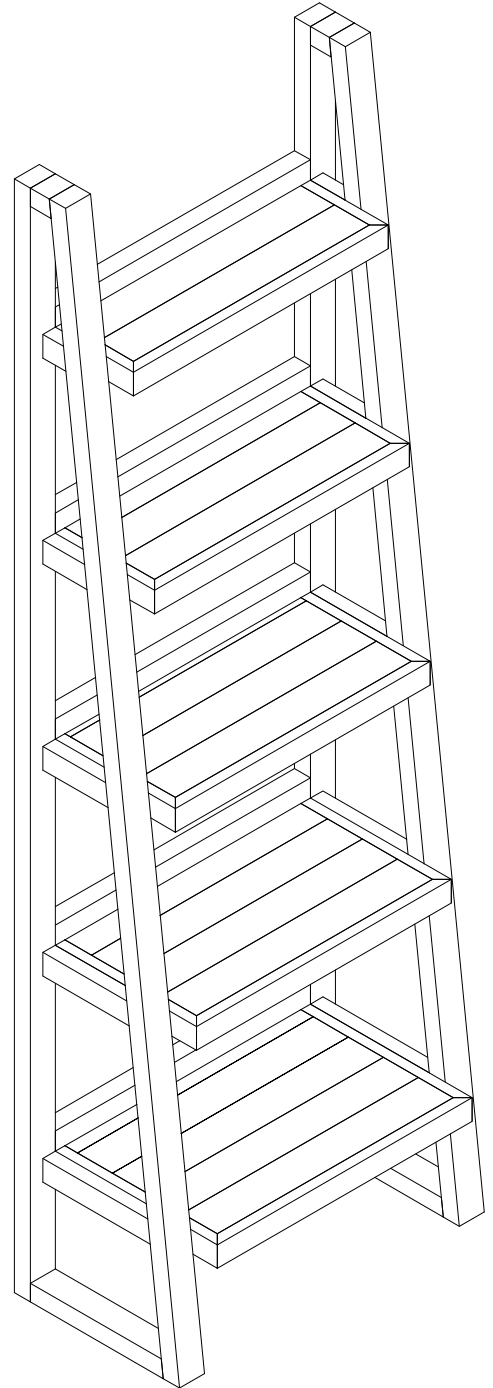
Item No: TEM#250P

Description : PAIR OF ETAGERE BOOK CASE

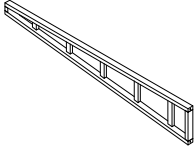
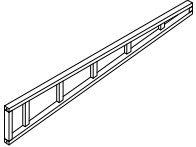
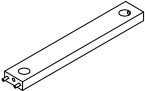
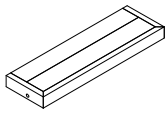
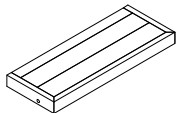
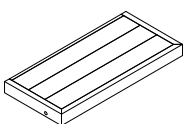
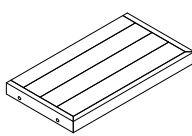
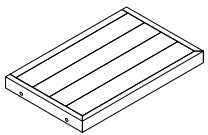
Rev 2 :2021-11-10

## HARDWARE LIST (X 2)

No	Description	Sketch	Q'TY
A	Allen Wrench 4mm		1PC
B	Bolt Ø1/4"x38mm		24PCS
C	Lock Washer Ø1/4x12mm		24PCS
D	Flat Washer Ø1/4x16mm		24PCS
E	Ø5/16" Wrench 12mm		1PC
F	Flat Washer Ø28x14.5x7.5		10PCS
G	Threaded bolt Ø5/16 x3-1/2"		10PCS
H	Hex nut Ø5/16"		10PCS
J	Anti-tip hardware		1Set



## PARTS LIST (X2)

LIFT FRAME (1PC)		RIGHT FRAME (1PC)	
① 	② 		
SUPPORT BACK (5PCS)		SHELF 1 (1PC)	
③ 	④ 		
SHELF 2 (1PC)	SHELF 3 (1PC)	SHELF 4 (1PC)	SHELF 5 (1PC)
⑤ 	⑥ 	⑦ 	⑧ 



**Parker House**  
FURNITURE

# Assembly Instruction

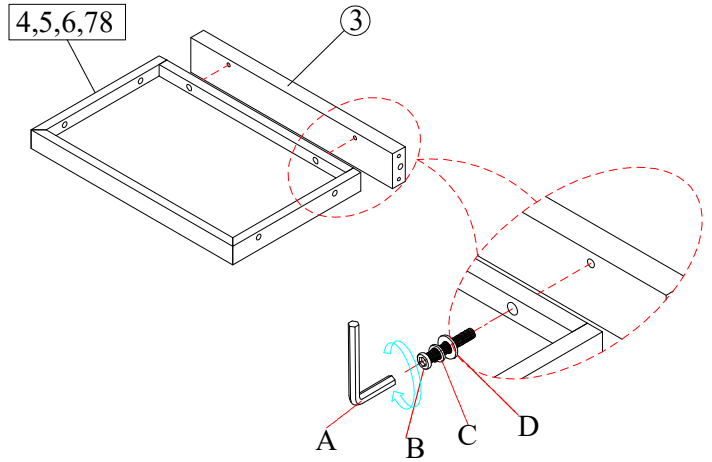
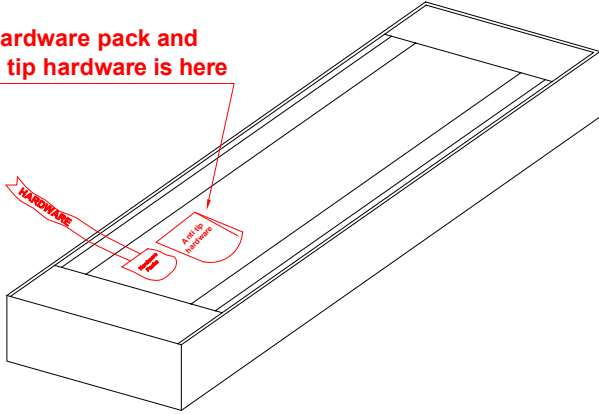
Item No: TEM#250P

Description : PAIR OF ETAGERE BOOK CASE

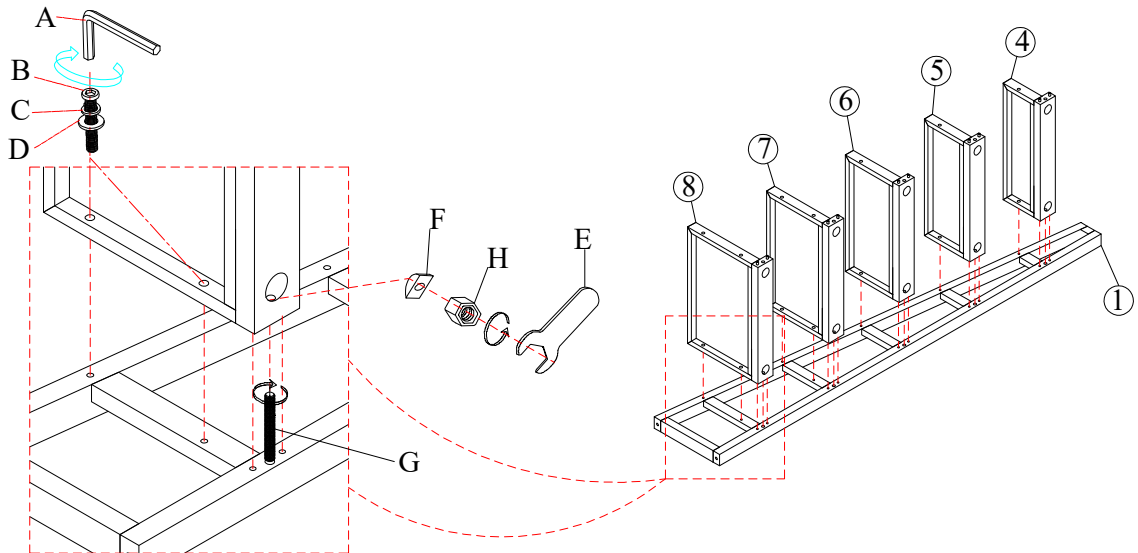
Rev 2 :2021-11-10

## STEP 1

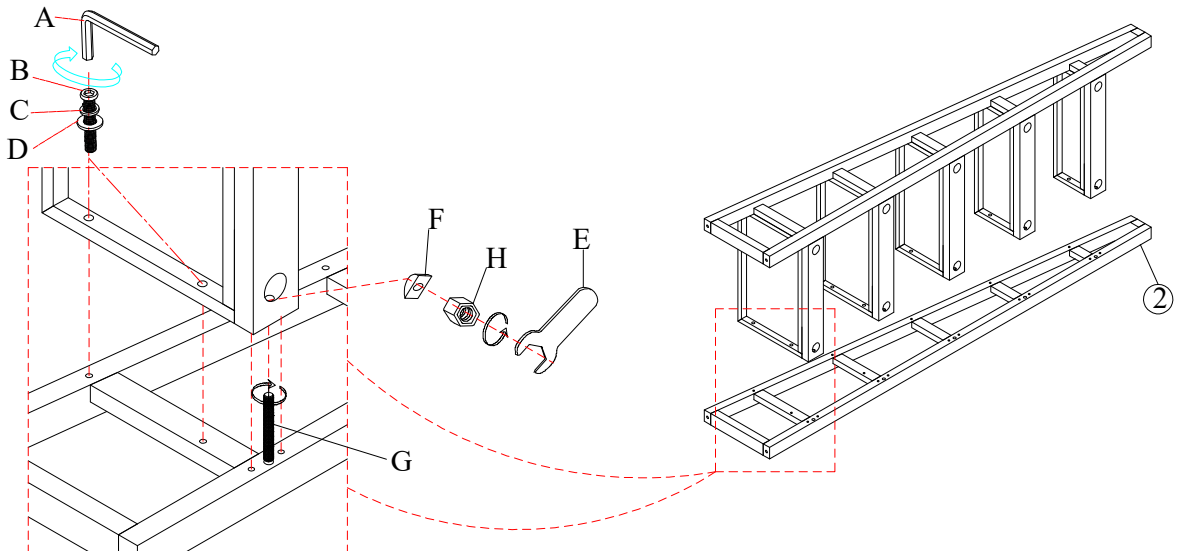
Hardware pack and  
Anti tip hardware is here



## STEP 2



## STEP 3





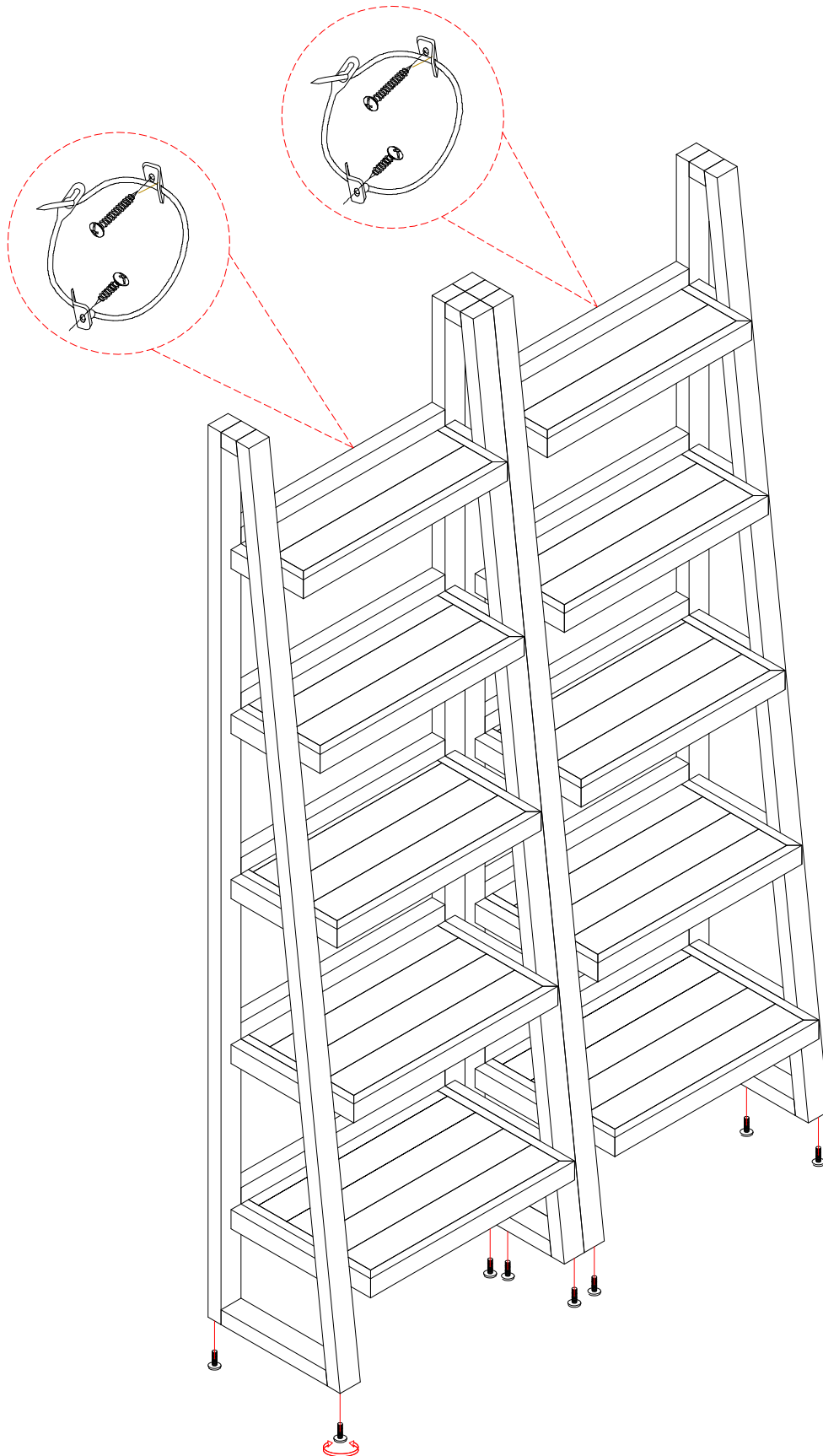
Parker House  
FURNITURE

# Assembly Instruction

Item No: TEM#250P

Description : PAIR OF ETAGERE BOOK CASE

Rev 2 :2021-11-10

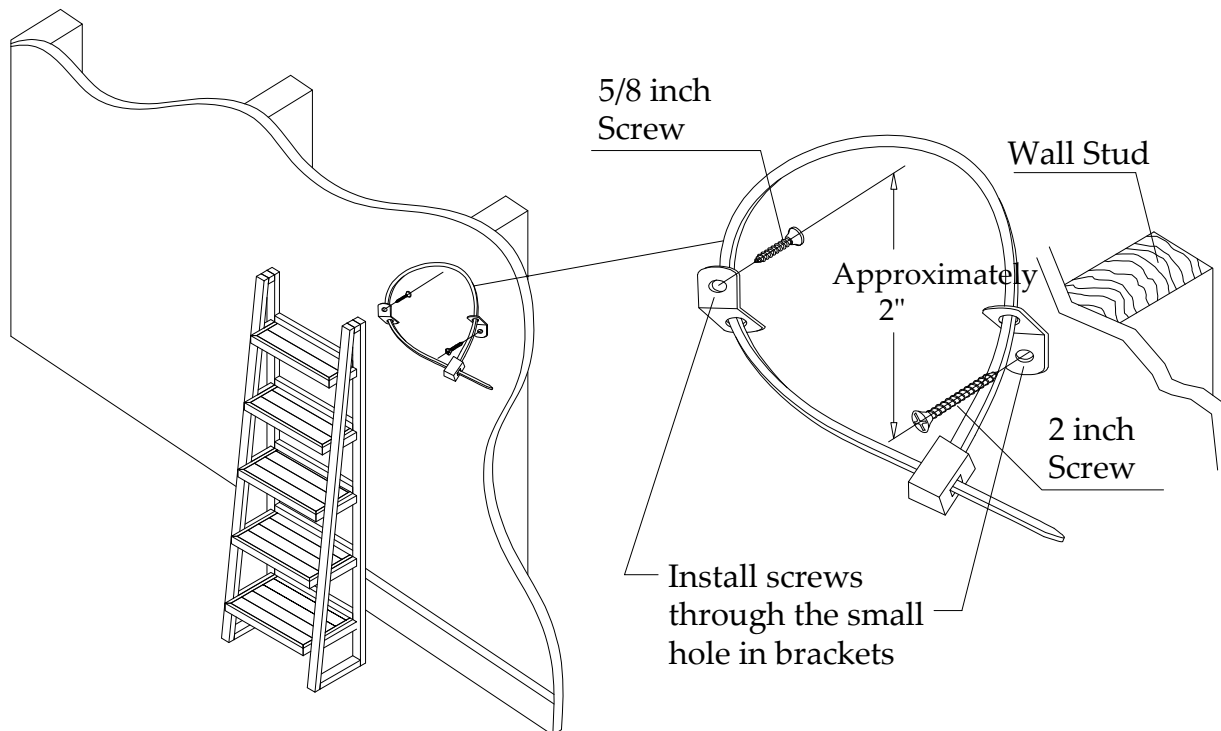


Assembled leveler = 8 pcs



# Anti-Tip Hardware Installation Instructions

Notice: In homes where small children may be present, Parker House recommends that steps be taken for certain furniture items to prevent or minimize the risk of tip-over. This furniture is equipped with Tip-over Restraint Hardware for use to minimize this risk, if used. Please follow below installation steps. Parker House recommends that parents and guardians periodically visit the U.S. Consumer Product Safety Commission (CPSC) website at <http://www.cpsc.gov/> and stay up to date on all issues related to children's product safety.



1. Temporarily locate the furniture to near its final location in the room next to a wall. Locate a wall stud behind your furniture and also mark the stud's location on the back of your furniture.
2. Firmly attach one bracket to the stud approximately 2" below the top of the furniture with the **2 inch long** Wood Screws provided. It may be necessary to drill 3/32 dia. pilot holes for the screws.
3. Firmly attach the other bracket onto a solid, structural part on the back of the furniture using the **5/8 inch long** Wood Screws. It may also be necessary to pilot bore for these screws.
4. Move the furniture into its final position, taking care to line up the wall bracket with the furniture bracket. Thread a strap through the bracket as shown in the illustration. Tighten strap until snug but do not over tighten.

#### Caution :

Parker House assumes no liability for improper installation or excessive loads placed on screws, brackets or straps. Failure to detach this restraint before moving furniture may result in personal injury and property damage.

#### Warning :

This tip-over restraint is not to be a substitute for proper adult supervision. Do not allow children to climb on furniture. Items left on top of the TV and furniture, such as toys, remote controls, and treats might tempt young children to climb. Push the TV as far back as possible from the front of its stand. Place electrical cords out of a child's reach, and teach children not to play with the cords.