

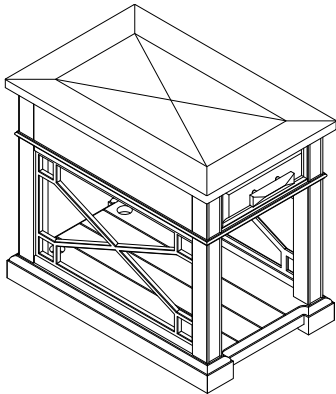
Assembly Instruction

Item No: SUN#06-SS

SUN#06-SGR

Description: CHAIRSIDE TABLE

PARTS LIST:



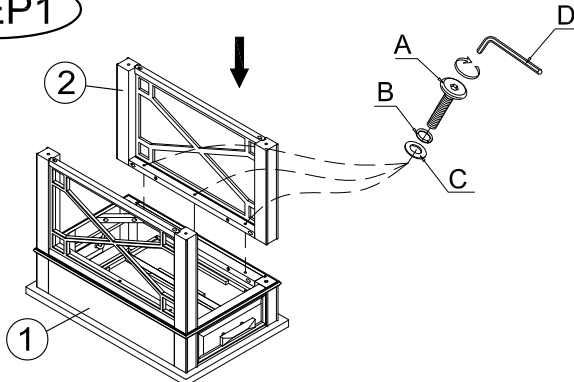
①		②		③	
TABLE TOP: 1PC		LEGS FRAME : 2PCS		TABLE BOTTOM: 1PC	

④

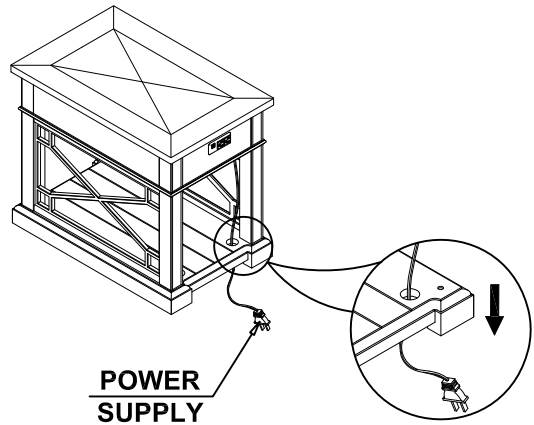
HARDWARE LIST

NO.	Drawing	Description	
A		Bolt (Ø1/4"x1-1/2")	10pcs
B		Spring washer (Ø1/4")	10pcs
C		Flat washer (Ø1/4"x16mm)	10pcs
D		Allen wrench (4mm)	1pc

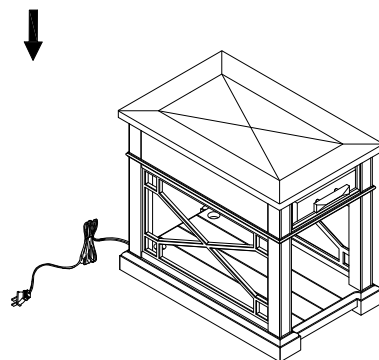
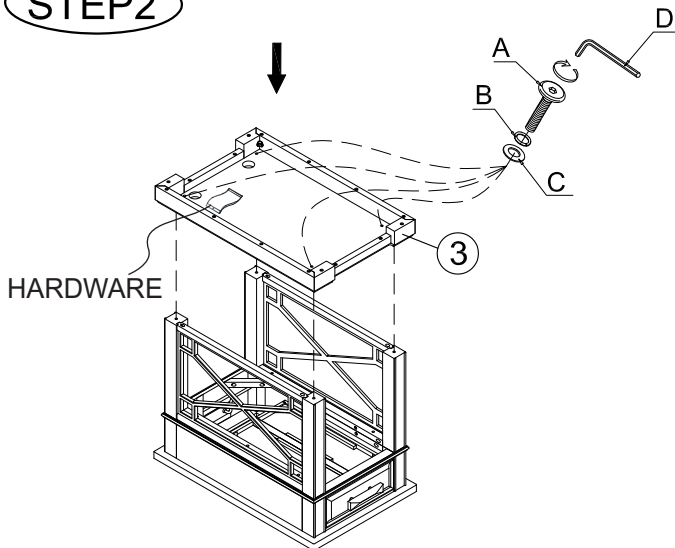
STEP1



STEP3

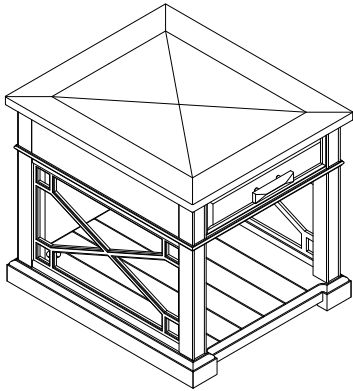


STEP2

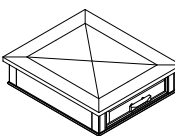
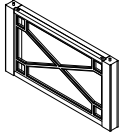
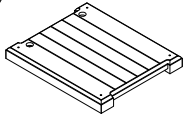


Assembly Instruction

Item No: SUN#02-SS
 SUN#02-SGR
 Description: END TABLE



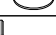
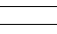


PARTS LIST:

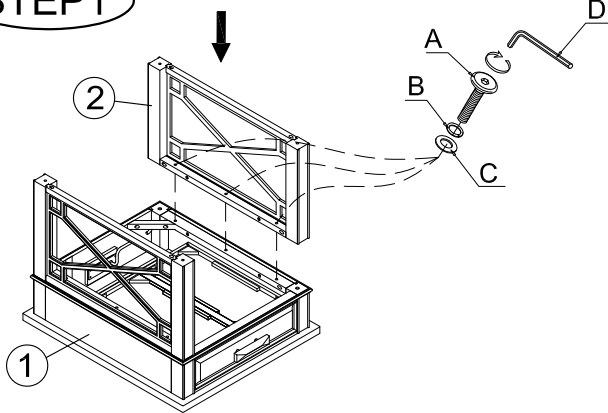
① 	② 	③ 
TABLE TOP: 1PC	LEGS FRAME : 2PCS	TABLE BOTTOM: 1PC

④

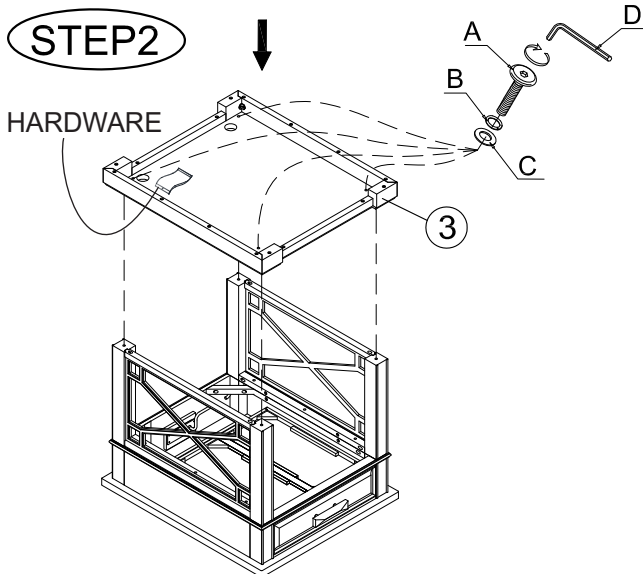
HARDWARE LIST

NO.	Drawing	Description	
A		Bolt (Ø1/4"x1-1/2")	10pcs
B		Spring washer (Ø1/4")	10pcs
C		Flat washer (Ø1/4"x16mm)	10pcs
D		Allen wrench (4mm)	1pc

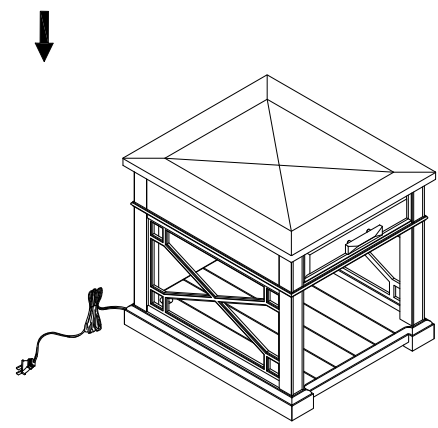
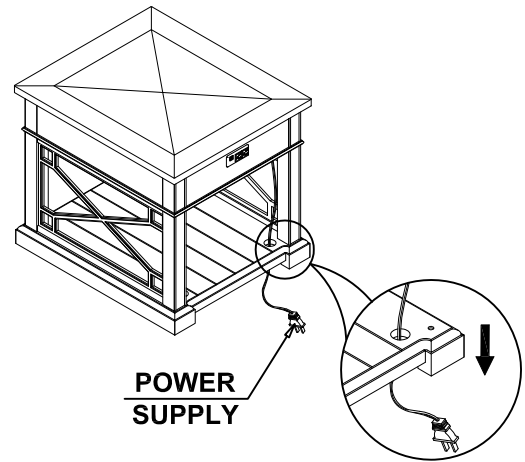
STEP1



STEP2



STEP3



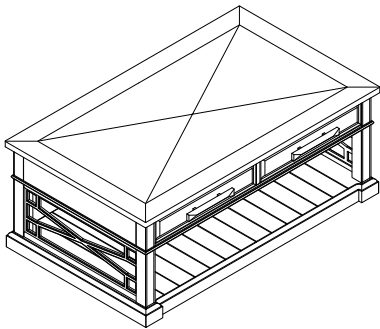
Assembly Instruction

Item No: SUN#01-SS

SUN#01-SGR

Description: COCKTAIL TABLE

PARTS LIST:



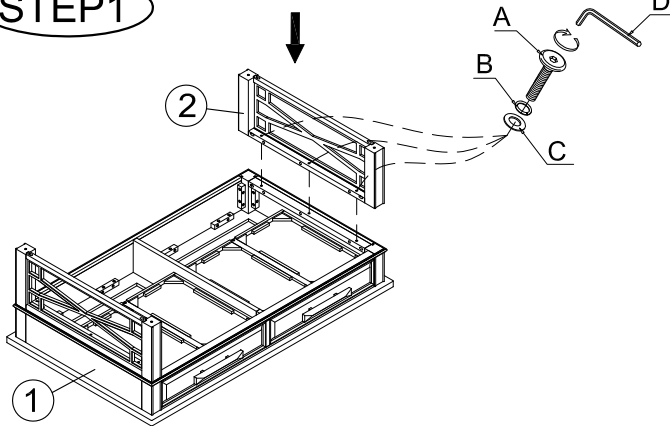
①		②		③	
TABLE TOP: 1PC		LEGS FRAME : 2PCS		TABLE BOTTOM: 1PC	

④

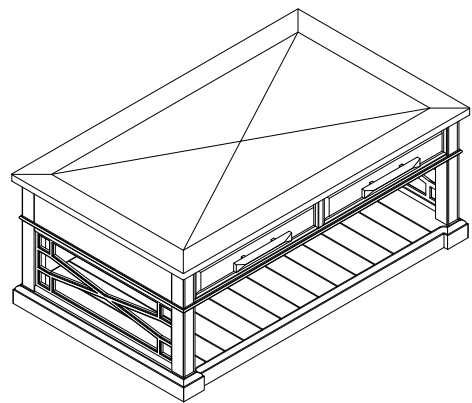
HARDWARE LIST

NO.	Drawing	Description	
A		Bolt (Ø1/4"x1-1/2")	10pcs
B		Spring washer (Ø1/4")	10pcs
C		Flat washer (Ø1/4"x16mm)	10pcs
D		Allen wrench (4mm)	1pc

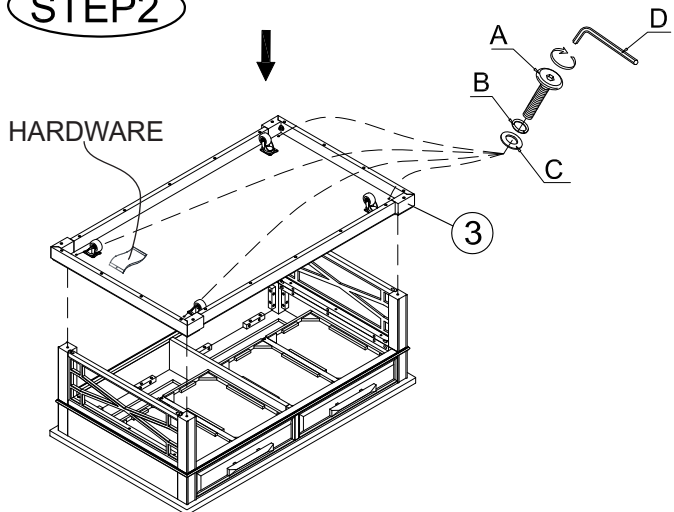
STEP1



STEP3

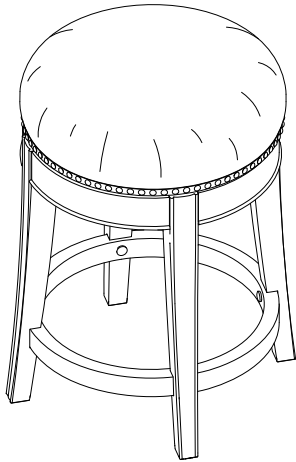


STEP2

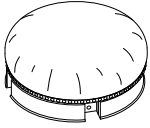

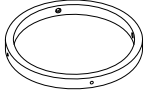


Assembly Instruction





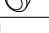

Item No: SUN#1026-SS
 SUN#1026-SGR
 Description: SWIVEL STOOL

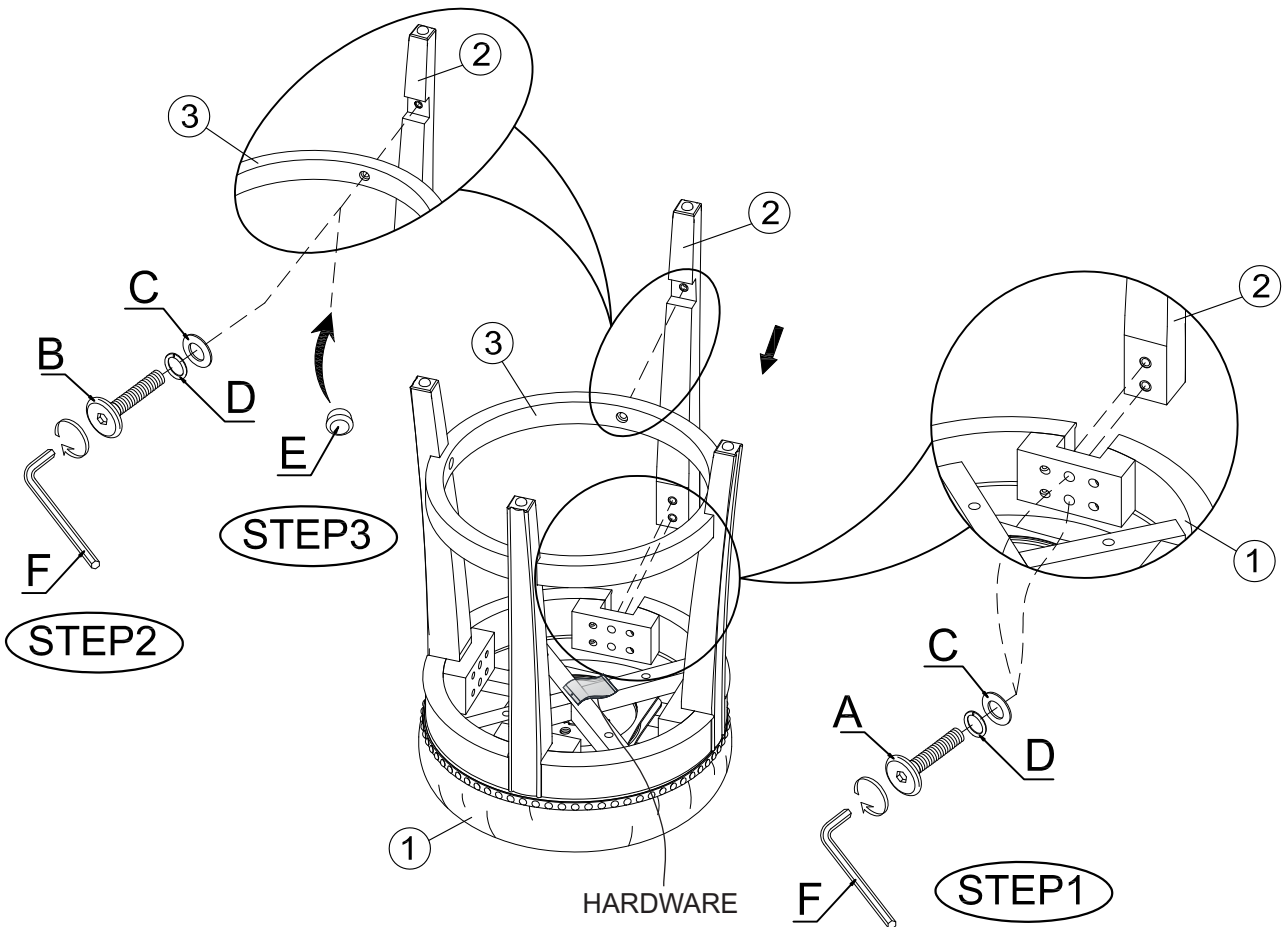


PARTS LIST:

①		②		③	
SEAT CUSHION-FRAME: 1PC		LEGS: 4PCS		RING STRETCHER: 1PC	

Note:
 1. Remove legs from inner box

④			
HARDWARE LIST			
NO.	Drawing	Description	
A		Bolt (Ø5/16"x1-3/4")	8pcs
B		Bolt (Ø5/16"x1")	4pcs
C		Flat washer (Ø5/16"x19mm)	12pcs
D		Spring washer (Ø5/16")	12pcs
E		Wood cap(Ø18x10mm)	4pcs
F		Allen wrench (5mm)	1pc



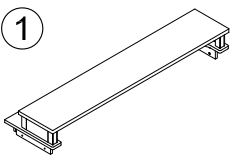
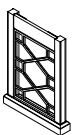
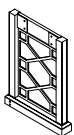
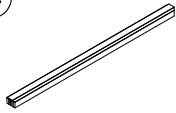
Assembly Instruction

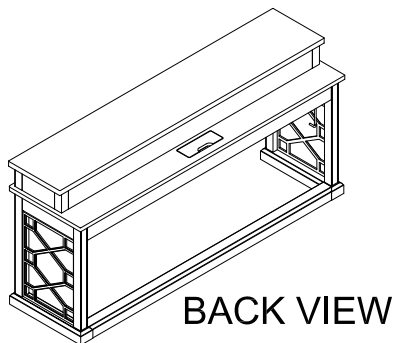
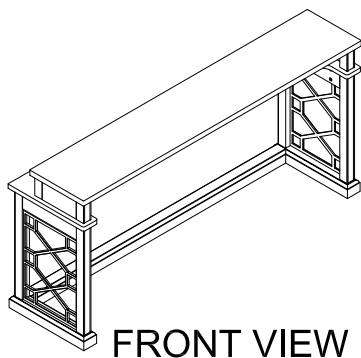
Item No: SUN#09-SS

SUN#09-SGR

Description: EVERYWHERE CONSOLE TABLE








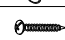

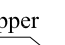
PARTS LIST:

① 	② 	③ 	④ 
TABLE TOP: 1PC	LEFT FRAME LEG: 1PC	RIGHT FRAME LEG: 1PC	STRETCHER: 1PC



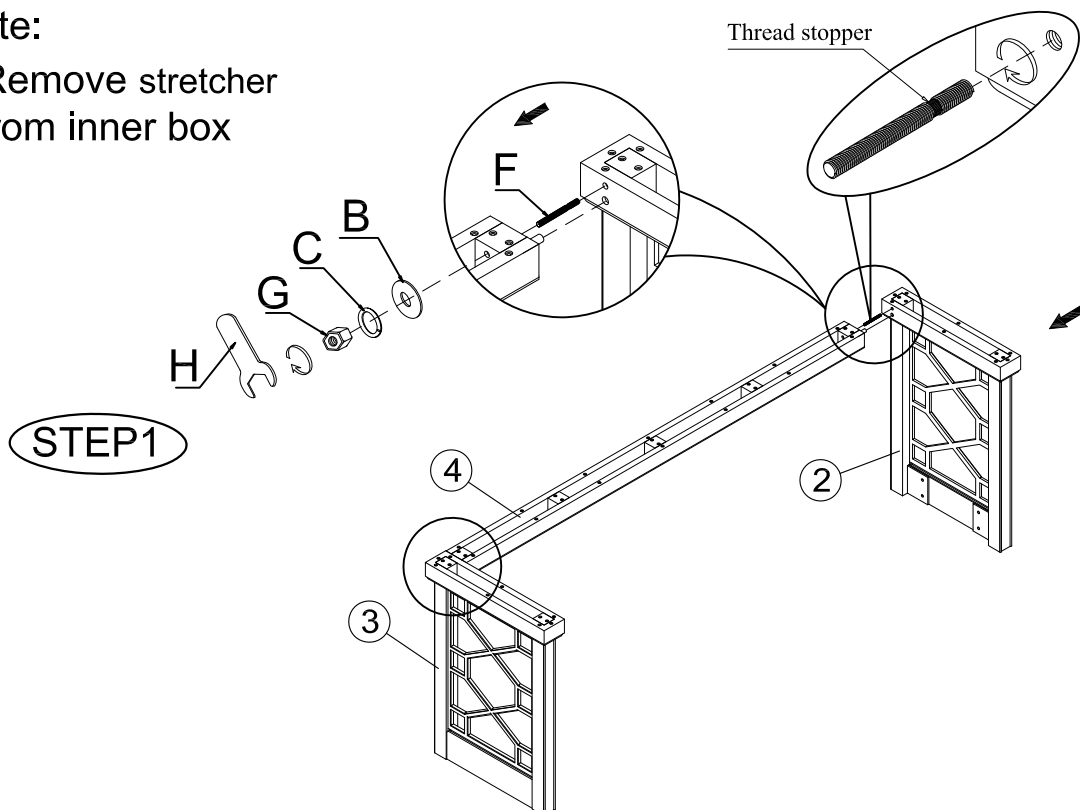
⑤

HARDWARE LIST

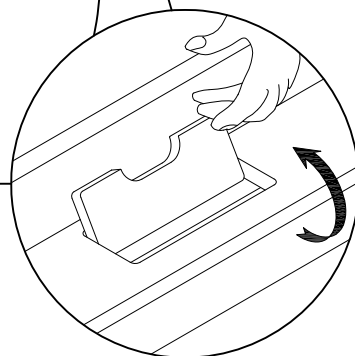
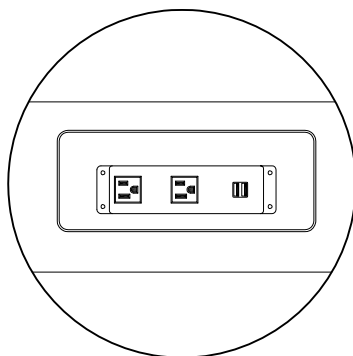
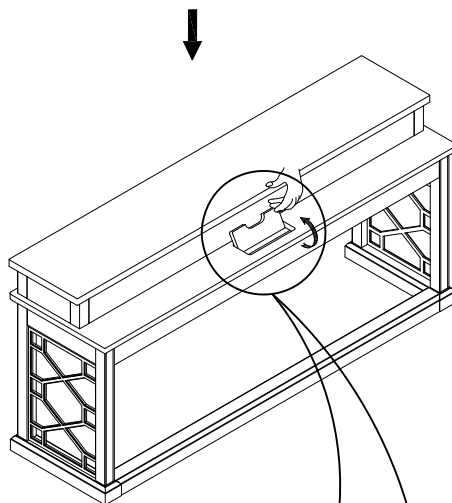
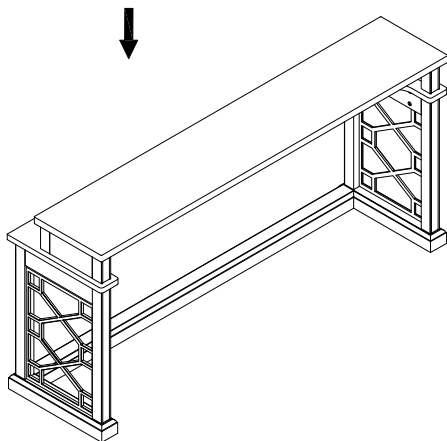
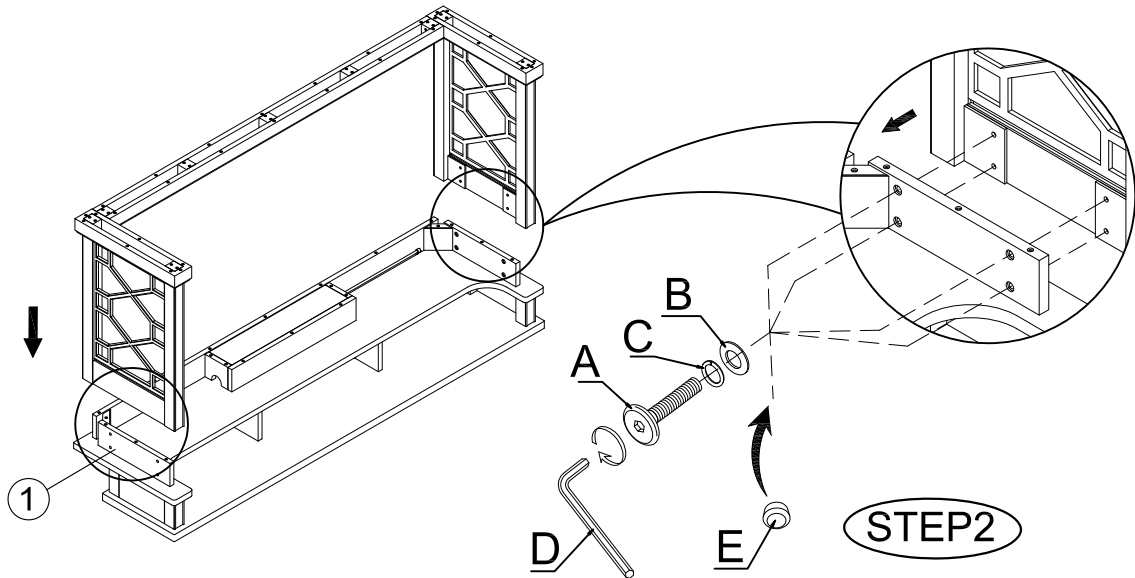
NO.	Drawing	Description	
A		Bolt (Ø5/16"x1-1/8")	8pcs
B		Flat washer (Ø5/16"x16mm)	10pcs
C		Spring washer (Ø5/16")	10pcs
D		Allen wrench (5mm)	1pc
E		Wood cap(Ø18x10mm)	8pcs
F		Threaded bolt Ø5/16" X3-1/2"	2pcs
G		Hex nut (Ø5/16")	2pcs
H		Ø5/16" Wrench(12mm)	1pc
I		Clip plastic	4pcs
J		Wood screw(Ø8*5/8")	4pcs

Note:

1. Remove stretcher from inner box



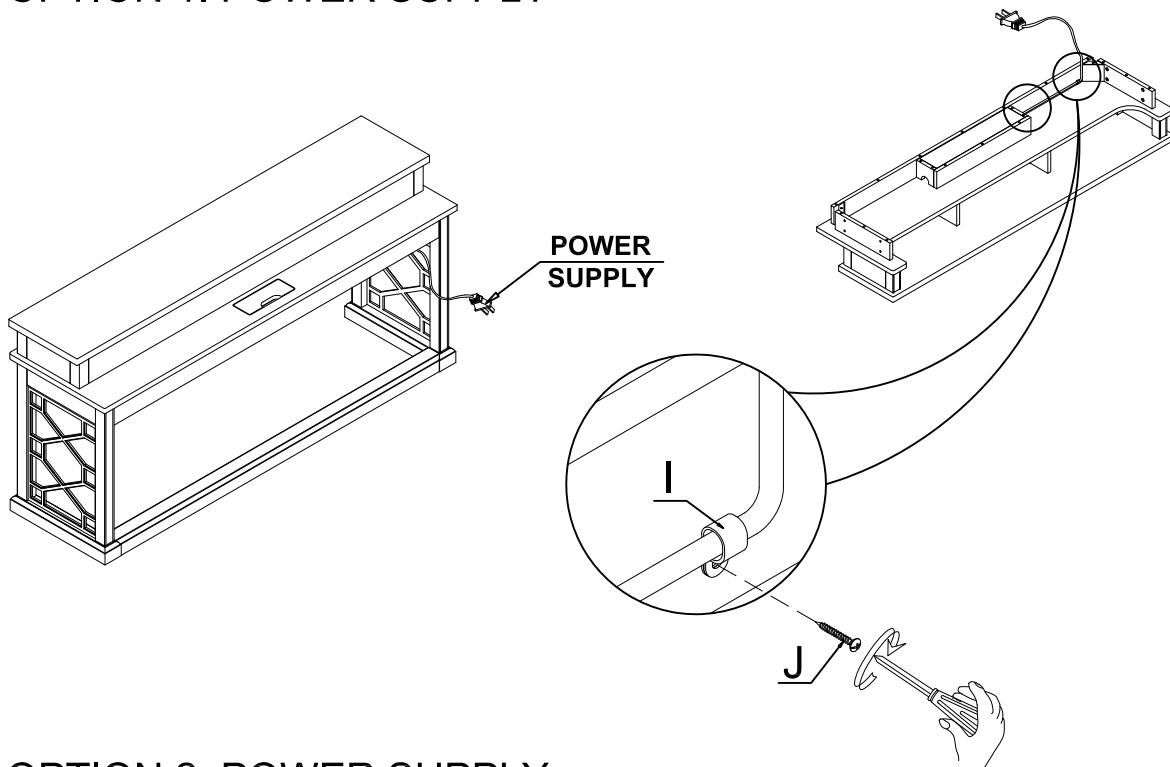
Item No: SUN#09-SS
SUN#09-SGR
Description: EVERYWHERE CONSOLE TABLE



Item No: SUN#09-SS
SUN#09-SGR

Description: EVERYWHERE CONSOLE TABLE

OPTION 1: POWER SUPPLY



OPTION 2: POWER SUPPLY

