

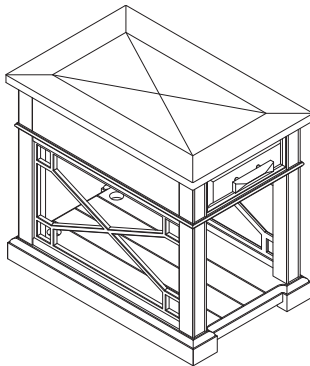
# Assembly Instruction

Item No: SUN#06-SS

SUN#06-SGR

Description: CHAIRSIDE TABLE

## PARTS LIST:



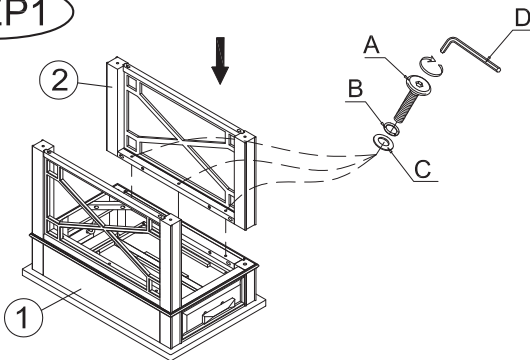
①		②		③	
TABLE TOP: 1PC		LEGS FRAME : 2PCS		TABLE BOTTOM: 1PC	

④

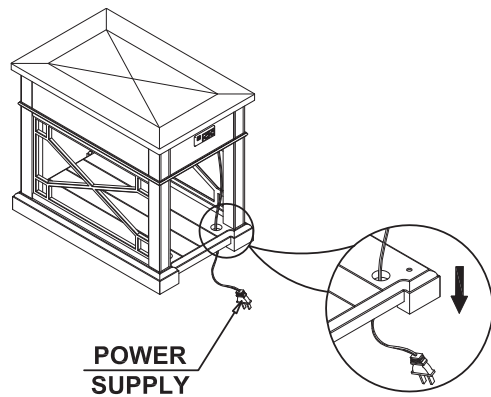
## HARDWARE LIST

NO.	Drawing	Description	
A		Bolt (Ø1/4"x1-1/2")	10pcs
B		Spring washer (Ø1/4")	10pcs
C		Flat washer (Ø1/4"x16mm)	10pcs
D		Allen wrench (4mm)	1pc

STEP1



STEP3



STEP2

