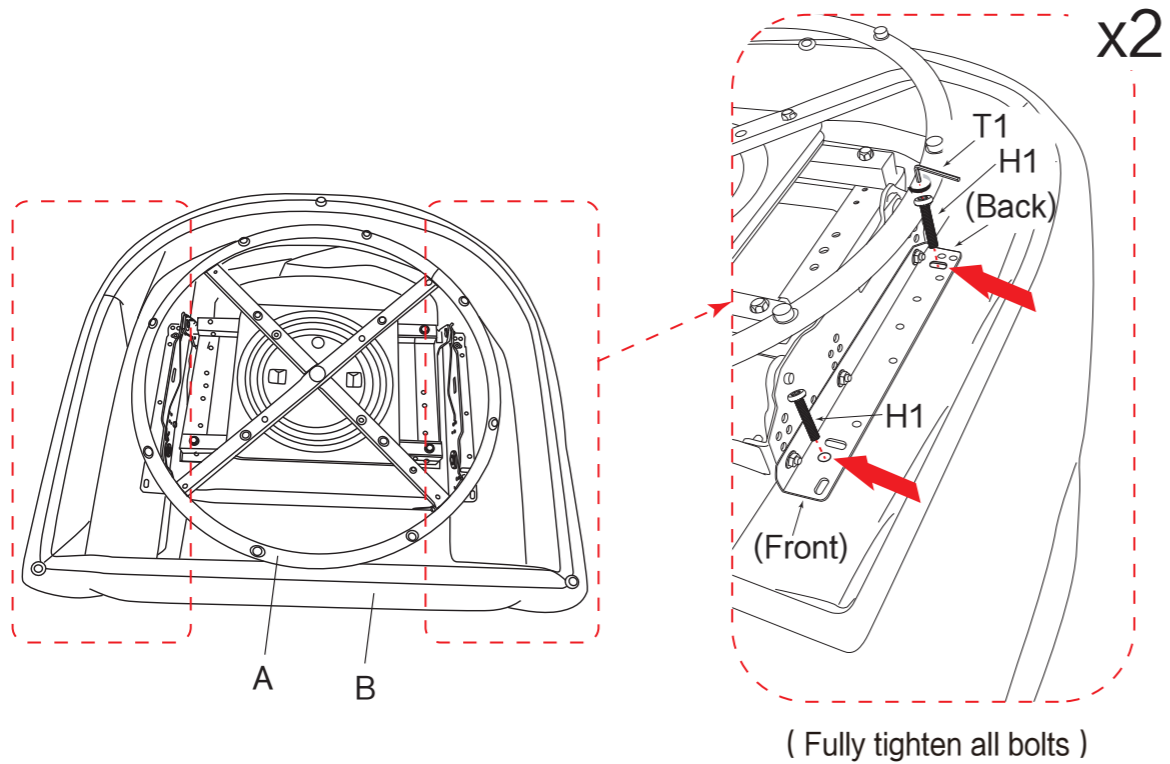
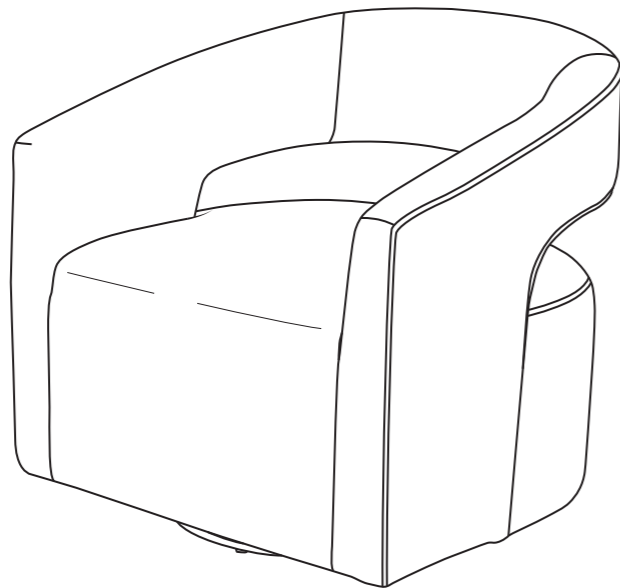


STEP 2

Place the swivel base onto the chair bottom aligning the base plate holes with the pre-drilled holes in the bottom of the chair. Use bolts (H1x4) and Allen Wrench (T1) to attach the swivel base.



COMPLETED ASSEMBLY



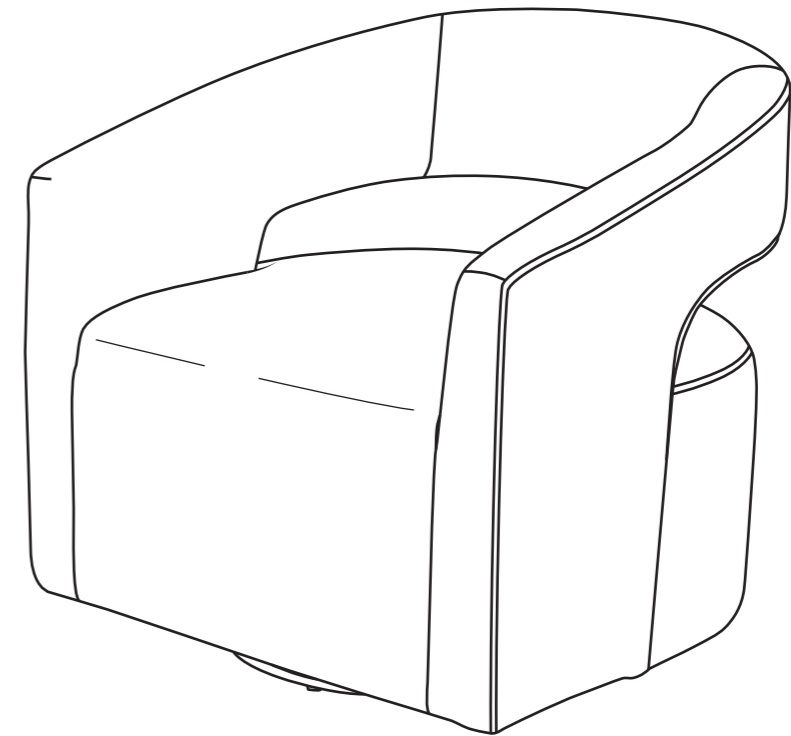
Congratulations! We hope you enjoy your purchase.



Parker Living
A Division of Parker House

ASSEMBLY INSTRUCTIONS

Orbit Accent Chair



Description : Orbit Accent Chair

Dimension : 32"W x 30(3/4)"D x 30"H

Caution: Please inspect all connections periodically and retighten them if loose.

BEFORE ASSEMBLY

Thank you for purchasing this quality product. This product has been designed for easy assembly and constructed for durability. Please take the time to read and follow the assembly instructions carefully.

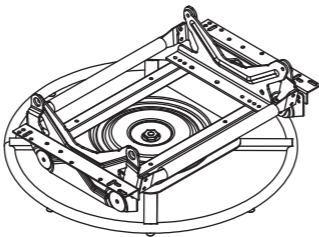
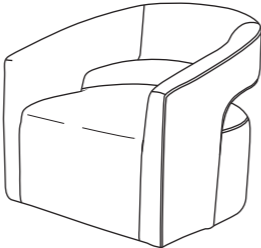

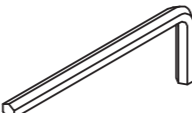
Be sure to check all packing material carefully for small parts which may have come loose inside the carton during shipment. Please separate, identify, and count all parts and metal hardware. Compare with part list to be sure all parts are present.

IMPORTANT NOTE:

- Unzip cushion seat bottom to remove parts carefully.
- Remove all wrapping material, including staples & packing straps before you start to assemble.
- DO NOT tighten all screws and bolts until completely assembled.
- Keep all hardware parts out of reach of children.

PART LIST

When unpacking, please be careful not to discard any parts with the packaging. Before continuing, please make sure you have the following parts:

Part	Description	Qty	Drawing
A	Swivel Base	1	
B	Chair Body	1	
H1	Nylok Bolt (M6x30mm)	4	
T1	Allen Key	1	

STEP 1

Please lay the Chair Body (B) on soft, clean surface to assemble.
Remove the Swivel Base (A) from the bottom of seat by removing all red ribbons.

